

SylSpot

SYLSPOT LED GU10 360LM BA 830

0053381



Range features

- Luminaire with replaceable Sylvania LED Lamp
- Lamp details : 6.5W / 360LM / Dimmable Beam / Angle 40° / 3000K
- Lamp includes LED driver
- Luminaire is IP23 – Class 2
- Available in white or brushed aluminium

LED

PRODUCT OVERVIEW

Ordering number	0053381
Technology	LED
Light colour	Warm white
Average life (Rated) (h)	25000
EAN code	5410288533810
Certifications	EC
Mount	Ceiling recessed
Housing	Steel
CRI (Ra)	80
LOR (%)	100
Beam angle(°)	40
Efficacy (Rated) (lm/w)	47
Voltage (V)	220-240
Colour	Brushed Aluminium
Included lamp	26791
IP rating	23
IK rating	02

SylSpot

SYLSPOT LED GU10 360LM BA 830

0053381

DATA TABLE

General data

Technology	LED
Ordering number	0053381
Average life (Rated) (h)	25000
EAN code	5410288533810
Certifications	EC
Mount	Ceiling recessed
Long description	Luminaire with replaceable Sylvania LED Lamp. Lamp details : 6.5W / 360LM / Dimmable Beam / Angle 40° / 3000K . Lamp includes LED driver. Luminaire is IP23 – Class 2. Available in white or brushed aluminium
Product name	SYLSPOT LED GU10 360LM BA 830
Control gear type	Integral
Environment	Interior
General application	Residential accent downlighting
Housing	Steel

Optical data

Light colour	Warm white
CRI (Ra)	80
LOR (%)	100
Beam angle(°)	40
Luminous flux (Nominal) (lm)	360
Distribution type	Direct

Electrical data

Efficacy (Rated) (lm/w)	47
Voltage (V)	220-240
Electrical protection	CLASS II

SylSpot

SYLSPOT LED GU10 360LM BA 830

0053381

Physical data

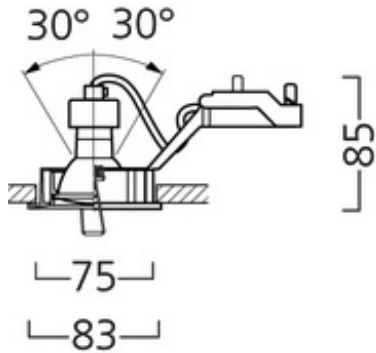
Weight (kg)	0.5
Colour	Brushed Aluminium
Lamp included	Yes
Included lamp	26791
Height (mm)	85
Width (mm)	83
Length (mm)	83
IP rating	23
IK rating	02
Vertical tilt (°)	30
Cutout diameter (mm)	75 ø
Cutout shape	Round
Recessed depth (mm)	85
Reflector material	Bright Aluminium Reflector

SylSpot

SYLSPOT LED GU10 360LM BA 830

0053381

TECHNICAL DRAWINGS



ENERGY LABEL

