

**Stainless Steel
Watertight 37 Enclosures
Product Drawings
Last Updated 12/14/2005**

Rose+Bopla Enclosures
7330 Executive Way
Frederick, MD 21704
301-696-9800
www.rose-bopla.com
customerservice@rose-bopla.com

Dimensional Drawings



TECHNICAL DATA:

- Surface Finish: 240 grain polished finish
- Material: 304 Stainless Steel (1.4301/304), 1.25mm thick.
- Temperature Range: -40°F to +176°F
- Gasket Material:
Polyurethane
Silicone
EMC (on request).
- Captive Stainless Steel Lid Screws
- Protection Classifications:
Up to Nema 4X
IP 66 to EN 60529
- Approvals:
UL Listed File # E66473
CSA Approved

Rose+Bopla offers high-quality stainless steel enclosures to meet the needs for metal housings in highly corrosive environments and for food industry applications. Our stainless steel design fea-

Stainless Steel Watertight 37

tures precise edging, clean soldered seams, and an evenly polished brush finish on the outside. This enclosure comes standard with a foamed-in-place, non-removable polyurethane gasket in the lid. The lid screws are located outside the gasketed area and thread into closed sleeves in the base. Internal mounting support bars are built into the base.

Rose+Bopla Stainless Steel Enclosures come standard with base and lid, captive stainless steel lid screws (outside the sealing area) and gasket. The optional external mounting brackets are designed to work with and to seal the pre-punched mounting holes in the base of the enclosure.

Stainless Steel Watertight 37 Enclosures					
Part Number	Length (Inches/mm)	Width (Inches/mm)	Height (Inches/mm)	Weight	Drawing Page #
37101006 00	3.94 / 100	3.94 / 100	2.40 / 61	1.36 lbs	17-95
37101096 00**	3.94 / 100	3.94 / 100	2.40 / 61	1.36 lbs	17-95
37151006 00	5.91 / 150	3.94 / 100	2.40 / 61	1.76 lbs	17-95
37151096 00**	5.91 / 150	3.94 / 100	2.40 / 61	1.76 lbs	17-95
37151508 00	5.91 / 150	5.91 / 150	3.19 / 81	2.55 lbs	17-95
37151598 00**	5.91 / 150	5.91 / 150	3.19 / 81	2.55 lbs	17-95
37201006 00	7.87 / 200	3.94 / 100	2.40 / 61	2.07 lbs	17-95
37202008 00	7.87 / 200	7.87 / 200	3.19 / 81	3.98 lbs	17-95
37202098 00**	7.87 / 200	7.87 / 200	3.19 / 81	3.98 lbs	17-95
37202012 00	7.87 / 200	7.87 / 200	4.76 / 121	4.59 lbs	17-95
37202092 00	7.87 / 200	7.87 / 200	4.76 / 121	4.59 lbs	17-95
37301508 00	11.81 / 300	5.91 / 150	3.19 / 81	4.15 lbs	17-95
37302008 00	11.81 / 300	7.87 / 200	3.19 / 81	5.05 lbs	17-95
37302012 00	11.81 / 300	7.87 / 200	4.76 / 121	4.59 lbs	17-95
37302092 00**	11.81 / 300	7.87 / 200	4.76 / 121	4.59 lbs	17-95
37303012 00	11.81 / 300	11.81 / 300	4.76 / 121	7.98 lbs	17-95
37303016 00	11.81 / 300	11.81 / 300	6.34 / 161	9.67 lbs	17-95
37383816 00*	14.96 / 380	14.96 / 380	6.34 / 161	13.32 lbs	17-95
37401508 00*	15.75 / 400	5.91 / 150	3.19 / 81	5.31 lbs	17-95
37402012 00*	15.75 / 400	7.87 / 200	4.76 / 121	7.98 lbs	17-95
37403016 00*	15.75 / 400	11.81 / 300	6.34 / 161	7.73 lbs	17-95
37503016 00*	19.69 / 500	11.81 / 300	6.34 / 161	13.79 lbs	17-95
37504016 00*	19.69 / 500	15.75 / 400	6.34 / 161	16.69 lbs	17-95
37602012 00*	23.62 / 600	7.87 / 200	4.76 / 121	10.98 lbs	17-95

Note: Dimensions are external. Metric is the primary dimension. Inch conversions and weights are for the user's convenience and are for reference only. Accessories shown on drawing page.

* Additional lead time on some sizes larger than 37383816.

** Enclosures without holes in rear for mounting.

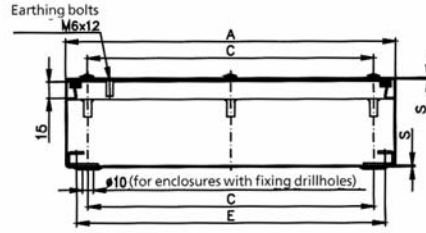
Stainless Steel Watertight

Standard Features

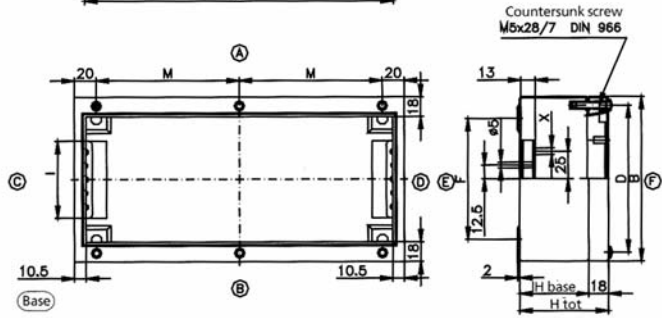
- Non-Removable Polyurethane gasket
- **10093216 00** Lid screws M5x25/7 for 37101006 00, 37151006 00, 37201006 00
- **10093344 00** Lid screws, M5x28/7 for 37151508 00, 37202008 00, 37202012 00, 37301508 00, 37302008 00, 37302012 00, 37303012 00, 37303016 00, 37383816 00, 37401508 00, 37402012 00, 37403016 00, 37503016 00, 37504016 00, 37602012 00.

Accessories

- **10051233 00** Mounting plate screws M6x10.
- **10011053 00** Mounting plate for 37101006 00 and 37101096 00.
- **10011054 00** Mounting plate for 37151006 00 and 37151096 00.
- **10011038 00** Mounting plate for 37151508 00 and 37151598 00.
- **10011055 00** Mounting plate for 37201006 00.
- **10011040 00** Mounting plate for 37202008 00, 37202012 00, 37202092 00, and 37202098 00.
- **10010039 00** Mounting plate for 37301508 00.
- **10011041 00** Mounting plate for 37302008 00, 37302092 00, and 37302012 00.
- **10011044 00** Mounting plate for 37303012 00 and 37303016 00.
- **10011045 00** Mounting plate for 37383816 00.
- **10011056 00** Mounting plate for 37401508 00.
- **10011043 00** Mounting plate for 37402012 00.
- **10011048 00** Mounting plate for 37403016 00.
- **10011057 00** Mounting plate for 37503016 00.
- **10011049 00** Mounting plate for 37504016 00.
- **10011058 00** Mounting plate for 37602012 00.
- **37105000 00** External mounting bracket.
- **37990001 00** Mounting set.
- **37000002 00** External hinge set.



Stainless Steel Enclosures

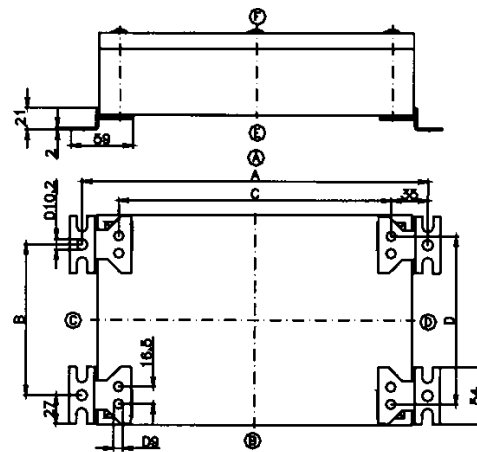


Part Number*	Part Number	A	B	C	D	E	F	I	S	M	X	Hbase	Htot.	
	37101096 00	37101006 00	100	100	60	84	81	60	20	1.25	-	M4	43	61
	37151096 00	37151006 00	150	100	110	84	131	60	20	1.25	-	M4	43	61
	37151598 00	37151508 00	150	150	110	134	131	110	70	1.25	-	M6	63	81
		37201006 00	200	100	160	84	181	60	20	1.25	-	M4	43	61
	37202098 00	37202008 00	200	200	160	184	181	160	120	1.25	-	M6	63	81
	37202092 00	37202012 00	200	200	160	184	181	160	120	1.25	-	M6	103	121
		37301508 00	300	150	260	134	281	110	70	1.25	-	M6	63	81
		37302008 00	300	200	260	184	281	160	120	1.25	-	M6	63	81
	37302092 00	37302012 00	300	200	260	184	281	160	120	1.25	-	M6	103	121
		37303012 00	300	300	260	284	281	260	220	1.25	-	M6	103	121
		37303016 00	300	300	260	284	281	260	220	1.25	-	M6	143	161
		37383816 00	380	380	340	364	361	340	300	1.25	-	M6	143	161
		37401508 00	400	150	360	134	381	110	70	1.25	-	M6	63	81
		37402012 00	400	200	360	184	381	160	120	1.25	-	M6	103	121
		37403016 00	400	300	360	284	381	260	220	1.25	-	M6	143	161
		37503016 00	500	300	460	284	481	260	220	1.25	230	M6	143	161
		37504016 00	500	400	460	384	481	360	320	1.25	230	M6	143	161
		37602012 00	600	200	560	184	581	160	120	1.50	280	M6	103	121

* Enclosures without holes for mounting.

External bracket for enclosure with mounting hole

Part Number	A Inches/mm	B Inches/mm	C Inches/mm	D Inches/mm
37101006 00	5.12 / 130	1.73 / 44	2.36 / 60	2.36 / 60
37151006 00	7.09 / 180	1.73 / 44	4.33 / 110	2.36 / 60
37151508 00	7.09 / 180	3.70 / 94	4.33 / 110	4.33 / 110
37201006 00	9.05 / 230	1.69 / 43	6.30 / 160	2.36 / 60
37202008 00	9.05 / 230	5.67 / 144	6.30 / 160	6.30 / 160
37202012 00	9.05 / 230	5.67 / 144	6.30 / 160	6.30 / 160
37301508 00	13.00 / 330	3.70 / 94	10.24 / 260	4.33 / 110
37302008 00	13.00 / 330	5.67 / 144	10.24 / 260	6.30 / 160
37302012 00	13.00 / 330	5.67 / 144	10.24 / 260	6.30 / 160
37303012 00	13.00 / 330	9.61 / 244	10.24 / 260	10.24 / 260
37303016 00	13.00 / 330	9.61 / 244	10.24 / 260	10.24 / 260
37383816 00	16.14 / 410	12.75 / 324	13.39 / 340	13.38 / 340
37401508 00	16.93 / 430	3.70 / 94	14.17 / 360	4.33 / 110
37402012 00	16.93 / 430	5.67 / 144	14.17 / 360	6.30 / 160
37403016 00	16.93 / 430	9.61 / 244	14.17 / 360	10.24 / 260
37503016 00	20.87 / 530	9.61 / 244	18.11 / 460	10.24 / 260
37504016 00	20.87 / 530	13.54 / 344	18.11 / 460	14.17 / 360
37602012 00	24.80 / 630	5.67 / 144	22.05 / 560	6.30 / 160



External bracket for enclosures with mounting holes.

Dimensional Drawings