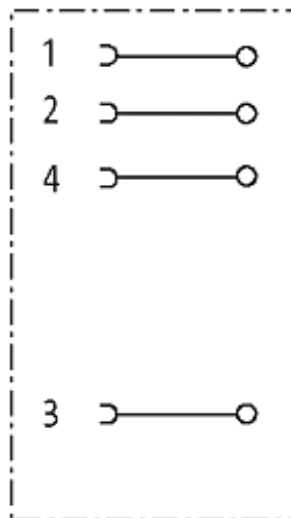


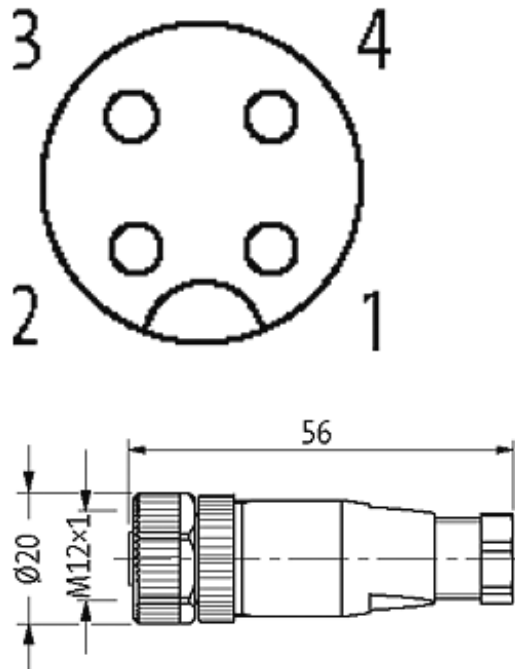
**M12 FEMALE 0° FIELD-WIREABLE SCREW TERM.**

4-pol. max.0,75mm<sup>2</sup>, cable outlet : 6-8 mm

Plastic housings with good resistance against chemicals and oils. The resistance to aggressive media should be individually tested for your application. Further details on request.

[Link to Product](#)**Illustration**

# Female



Product may differ from Image

## Approvals



## Form

Form 12941

## Technical Data

|                               |   |
|-------------------------------|---|
| Operating voltage             | max. 250 V AC/DC  |
| Operating current per contact | max. 4 A  |
| Connection cross section      | max. 0.75 mm <sup>2</sup>   |
| Sealing range (cable Ø)       | 6...8 mm  |
| Locking of ports              | Screw thread M12 x 1 mm (recommended torque 0.6 Nm) self-securing |
| Protection                    | IP67 inserted and tightened (EN 60529)                            |

## General data

|                      |              |
|----------------------|--------------|
| Temperature range    | -25...+85 °C |
| Dimensions H x W x D | 54x20x20 mm  |

## Commercial data

country of origin DE

|                        |               |
|------------------------|---------------|
| customs tariff number  | 85369010      |
| EAN                    | 4048879201544 |
| eClass                 | 27279221      |
| minimum order quantity | 1             |