

INDUSTRIAL CONNECTORS

Selection Guide



rspro.com





INTRODUCTION

RS PRO Heavy Duty Connectors are designed for Industrial applications, in particular Light & Sound, Robotics and Machinery. They offer a value choice along with leading brands to our customers.

These products support Machine and Panel

Builders, Maintenance Engineers and cost-conscious Buyers.


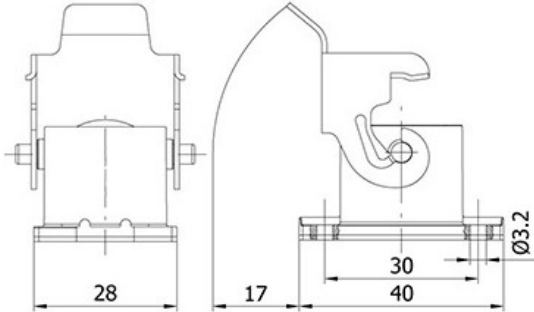
The RS PRO seal of approval means products have been tested in line with Industry standards, giving you added confidence in the quality of the offer. The range gives great electrical and mechanical protection and is available in screw and cage

clamp versions that are UL approved (ML file no. E500382). Inserts have a grounded contact to stop incorrect polarization and contacts are mounted in the insert. This also means no additional tooling is required. Inserts are available in the most popular sizes of 3PE, 4PE, 6PE, 10PE, 16PE and 24PE.

Hoods and Housings are made from zinc die cast metal that are IP65 rated. All include metal locking levers to secure safely together. The range offers Top Entry, Side Entry, Surface Mount and Bulkhead/Panel Mount versions in sizes 3A, 6B, 10B, 16B and 24B.


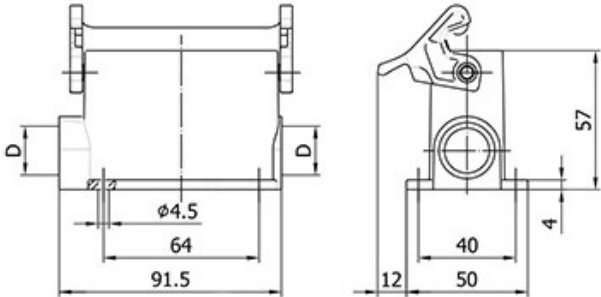
Housing



RS Pro 3A Size	Bulkhead mounted
	
RS Stock No	589-616

Specifications

- Material**
 - Aluminium die-cast
- Colour**
 - RAL 7040
- Surface**
 - Powder-coated
- Locking element**
 - Steel, zinc-plated
- Lever type**
 - Metal/Plastic
- Material (seal)**
 - NBR
- Limiting temperatures**
 - 40°C to +125°C
- Degree of protection**
 - IP65

RS Pro 16A Size	Surface mounted
	
RS Stock No	589-612

Size of "D" M20

Inserts



				
RS Stock No	457-183	457-182	457-186	457-185
Termination	Screw terminal	Screw terminal	Screw terminal	Screw terminal
Number of contacts	3 + ⊕	3 + ⊕	4 + ⊕	4 + ⊕
Electrical data (EN 61 984)	10A 250/400V 4kV 3	10A 250/400V 4kV 3	10A 250/400V 4kV 3	10A 250/400V 4kV 3
Wire gauge (mm²)	1 to 1.5	1 to 1.5	1 to 1.5	1 to 1.5
Size	RS Pro 3A	RS Pro 3A	RS Pro 3A	RS Pro 3A
Male / Female	M	F	M	F

Specifications

Insulation resistance

- $\geq 10^{10}\Omega$

Flammability acc. to UL 94

- V0

Rated voltage acc. to UL

- 600V

Limiting temperature

- -40 to +125°C

Mating cycles

- ≥ 500

Material (insert)





- Polycarbonate

Colour (insert)

- RAL 7032

Approvals and Specifications

- EN 60664-1, IEC 61984

				
RS Stock No	457-196	457-195	457-199	457-198
Termination	Screw terminal	Screw terminal	Screw terminal	Screw terminal
Number of contacts	10 + ⊕	10 + ⊕	16 + ⊕	16 + ⊕
Electrical data (EN 61 984)	10A 250V 4kV 3	10A 250V 4kV 3	10A 250V 4kV 3	10A 250V 4kV 3
Wire gauge (mm²)	1 to 1.5	1 to 1.5	1 to 1.5	1 to 1.5
Size	RS Pro 10A	RS Pro 10A	RS Pro 16A	RS Pro 16A
Male / Female	M	F	M	F

Housing



Specifications

Limiting temperature

- -40 to +125°C

Degree of protection

- IP65

Material

- Aluminium die-cast

Surface

- Powder-coated



Colour

- RAL 7040

Material (seal)

- NBR

	Top entry, single lever 	Side entry, single lever 	Side entry, double lever 		
RS Stock No	589-611	589-617	589-622	589-625	589-620
	RS Pro 24B	RS Pro 6B	RS Pro 10B	RS Pro 16B	RS Pro 24B
Construction	Low	Low	Low	Low	Low
Cable Gland Entry Size	M25	M20	M20	M25	M25

	Top entry, double lever 	Top entry, double lever 
RS Stock No	589-618	589-613
	RS Pro 10B	RS Pro 24B
Construction	High	High
Cable Gland Entry Size	M40	M40

Housing



	Bulkhead mounted, single lever			Bulkhead mounted, double lever		
						
RS Stock No	589-615 RS Pro 10B	589-623 RS Pro 16B	589-624 RS Pro 24B	589-619 RS Pro 10B	589-621 RS Pro 16B	589-614 RS Pro 24B

Specifications

Limiting temperature

- -40 to +125°C

Degree of protection

- IP65

Material

- Aluminium die-cast

Surface

- Powder-coated

Colour

- RAL 7040

Material (seal)

- NBR

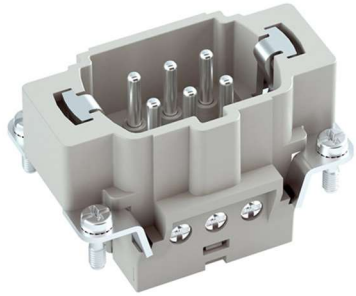
Locking element

- Steel, zinc-plated

Lever type

- Metal

Inserts



RS Stock No	457-230	457-192	457-208	457-187
Termination	Screw terminal	Screw terminal	Crimp terminal	Screw terminal
Number of contacts	6 + \oplus	6 + \oplus	24 + \oplus	10 + \oplus
Electrical data (EN 61 984)	16A 500V 6kV 3	16A 500V 6kV 3	10A 250V 4kV 3	16A 500V 6kV 3
Wire gauge (mm²)	0.75 to 2.5	0.75 to 2.5	0.14 to 2.5	1 to 2.5
Size	RS Pro 6 E	RS Pro 6 E	RS Pro 6 E	RS Pro 10 E
Male / Female	M	F	M	F

Specifications

Insulation resistance

- $\geq 10^{10}\Omega$

Flammability acc. to UL 94

- V 0

Rated voltage acc. to UL

- 600V

Limiting temperature

- -40 to +125°C

Mating cycles

- ≥ 500

Material (insert)

- Polycarbonate

Colour (insert)

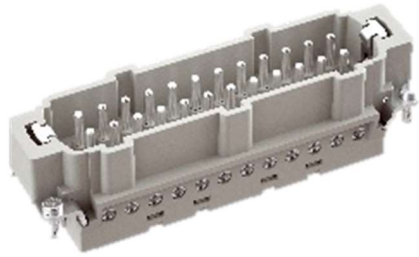
- RAL 7032

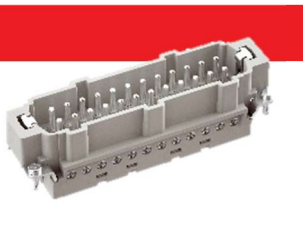
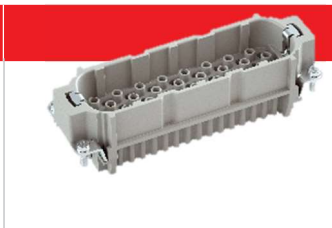
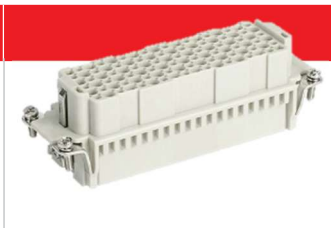
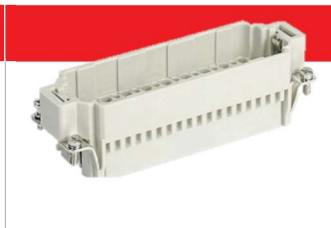


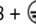
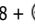
Approvals and Specifications

- EN 60664-1, IEC 61984

RS Stock No	457-200	457-202	457-193	457-191
Termination	Crimp terminal	Crimp terminal	Screw terminal	Screw terminal
Number of contacts	10 + \oplus	40 + \oplus	6 + \oplus	16 + \oplus
Electrical data (EN 61 984)	16A 500V 6kV 3	10A 250V 4kV 3	35A 400/690V 6kV 3	16A 500V 6kV 3
Wire gauge (mm²)	1 to 2.5	0.14 to 2.5	1.5 to 6	1 to 2.5
Size	RS Pro 10 E	RS Pro 16 E	RS Pro 16 E	RS Pro 32 E
Male / Female	F	M	F	M

Inserts



				
RS Stock No	457-189	457-205	457-203	457-206
Termination	Screw terminal	Crimp terminal	Crimp terminal	Crimp terminal
Number of contacts	24 + 	64 + 	108 + 	108 + 
Electrical data (EN 61 984)	16A 500V 6kV 3	10A 250V 4kV 3	10A 250V 4kV 3	16A 250V 4kV 3
Wire gauge (mm²)	1 to 2.5	0.14 to 2.5	0.14 to 2.5	0.14 to 2.5
Size	RS Pro 24 E	RS Pro 24 E	RS Pro 24 E	RS Pro 24 E
Male / Female	M	M	F	M

Specifications

Insulation resistance

- $\geq 10^{10}\Omega$

Flammability acc. to UL 94

- V 0

Rated voltage acc. to UL

- 600V

Limiting temperature

- -40 to +125°C

Mating cycles

- ≥ 500

Material (insert)

- Polycarbonate

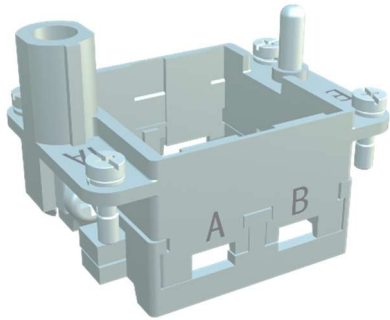
Colour (insert)

- RAL 7032

Approvals and Specifications

- EN 60664-1, IEC 61984

Modular Series – Frames



RS Stock No	589-601	589-603	589-606	589-608
Size	6B	10B	16B	24B
Module Size	2	3	4	6
Description	A-B	A-C	A-D	A-F

RS Stock No	589-602	589-605	589-607	589-609
Size	6B	10B	16B	24B
Module Size	2	3	4	6
Description	a-b	a-c	a-d	a-f





Specifications

- Limiting temperature**
 - 40 to +125°C
- Mating cycles**
 - ≥500
- Material**
 - Zinc die-cast
- Approvals and Specifications**
 - EN 60664-1, IEC 61984

RS Stock No	446-988	446-987
Size	16B	16B
Module Size	4	4
Description	a-d	A-D

Modular Series – Modules



				
RS Stock No	457-214	457-215	457-211	457-212
Termination	Crimp terminal	Crimp terminal	Crimp terminal	Crimp terminal
Number of contacts	2	2	1	1
Electrical data (EN 61 984)	70A 1000V 8kV 3	70A 1000V 8kV 3	100A 830V 8kV 3	100A 830V 8kV 3
Wire gauge (mm²)	6 to 25	6 to 25	10 to 35	10 to 35
Size	1 Slot	1 Slot	1 Slot	1 Slot
Male / Female	M	F	M	F

Specifications

Insulation resistance

- $\geq 10^{10}\Omega$

Flammability acc. to UL 94

- V 0

Rated voltage acc. to UL

- 600V

Limiting temperature

- -40 to +125°C

Mating cycles

- ≥ 500

Material (insert)

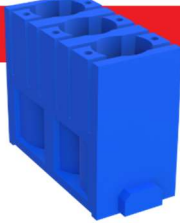
- Polycarbonate

Colour (insert)

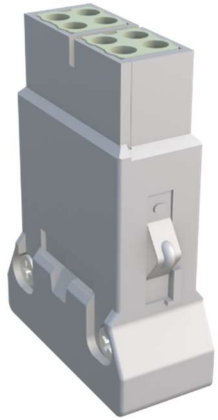
- RAL 7032





Approvals and Specifications

- EN 60664-1, IEC 61984

	
RS Stock No	457-216
Number of contacts	3
Size	1 Slot

Modular Series – Megabit



				
RS Stock No	457-209	457-218	457-220	457-219
Termination	Crimp terminal		Crimp terminal	
Number of contacts	2x4		2x4	
Electrical data (EN 61 984)	10A 50V 0.8kV 3 30V		10A 50V 0.8kV 3 30V	
Wire gauge (mm²)	0.14 to 2.5		0.14 to 2.5	
Size	1 Slot		1 Slot	
Male / Female	M		F	

Specifications

Contact resistance

- ≤ 100 mΩ

Flammability acc. to UL 94

- V0

Limiting temperature

- -40 to +85°C

Mating cycles

- ≥500

Material (insert)

- Polycarbonate

Colour (insert)

- RAL 7032

Approvals and Specifications

- EN 60664-1, IEC 61984

Crimp Contact







Specifications

- Material**
 - Copper alloy
- Surface**
 - Hard-silver plated
- Mating cycles**
 - ≥500
- Specifications**
 - IEC 60228-5

							
RS Stock No	630936	630938	630945	630937	630935	630934	589600
Material	Copper alloy	Copper alloy		Copper alloy	Copper alloy	Copper alloy	Copper alloy
Surface	Hard-silver plated	Hard-silver plated		Hard-silver plated	Hard-silver plated	Hard-silver plated	Hard-silver plated
Rated current	70A	70A		10A	10A	10A	10A
Contact resistance	≤0.5mΩ	≤0.5mΩ		≤3mΩ	≤3mΩ	≤3mΩ	≤3mΩ
Wire gauge	10 mm ²	10 mm ²	16 mm ²	0.5 mm ²	0.75 mm ²	0.5 mm ²	0.14-0.37 mm ²
Mating cycles	≥500	≥500		≥500	≥500	≥500	≥500
For stranded fine wire acc. to	IEC 60228-5	IEC 60228-5		IEC 60228-5	IEC 60228-5	IEC 60228-5	IEC 60228-5
Male / Female	M	F		F	M	M	F

Pneumatic



					
RS Stock No	630943	630942	630941	630940	630939
Material	Stainless Steel Metallic	Stainless Steel Metallic	Stainless Steel Metallic	Stainless Steel Metallic	Stainless Steel Metallic
Colour	Silver	Silver	Silver	Silver	Silver
Internal diameter (ID)	4.0mm	6.0mm	4.0mm	6.0mm	6.0mm
Working pressure	Up to 10 bar – 145 psi	Up to 10 bar – 145 psi	Up to 10 bar – 145 psi	Up to 10 bar – 145 psi	Up to 10 bar – 145 psi
Sealing material	FPM	FPM	FPM	FPM	FPM
Shut off valve material	Polypropylen	Polypropylen	Polypropylen	Polypropylen	Polypropylen
Mating cycles	≥500	≥500	≥500	≥500	≥500
Air tube and quick joint pull-out force	≥80N at 6 bar	≥170N at 6 bar	≥80N at 6 bar	≥170N at 6 bar	≥170N at 6 bar

Specifications

Mating cycles

- ≥500

Sealing material

- FPM

Shut off valve material

- Polypropylen



RS Stock No	630944
Material	Delrin acetal
Colour	Black
Internal diameter (ID)	4.0mm - 1/8"
Working pressure	Up to 8 bar – 116 psi
Sealing material	FPM
Shut off valve material	Polypropylen
Mating cycles	≥500

Plastic Hood / Bulkhead Housing



24B	Hood
	Size of "D" PG29
RS Stock No	446-985

Specifications

Material

- Polyamide

Colour

- Black

Locking element

- Polyamide

Lever type

- Polyamide

Material (seal)

- NBR

Limiting temperatures

- -40°C to +125°C


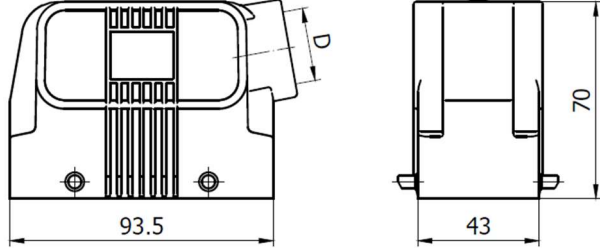
Degree of protection

- IP65

24B	Bulkhead Housing
RS Stock No	446-984

Plastic Hood / Bulkhead Housing



16B	Hood
	 <p style="text-align: right;">Size of "D" PG21</p>
<p>RS Stock No</p>	<p>446-983</p>

Specifications

Material

- Polyamide

Colour

- Black

Locking element

- Polyamide

Lever type

- Polyamide

Material (seal)

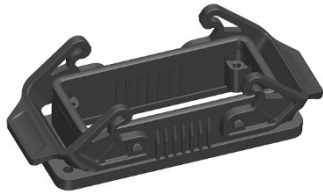
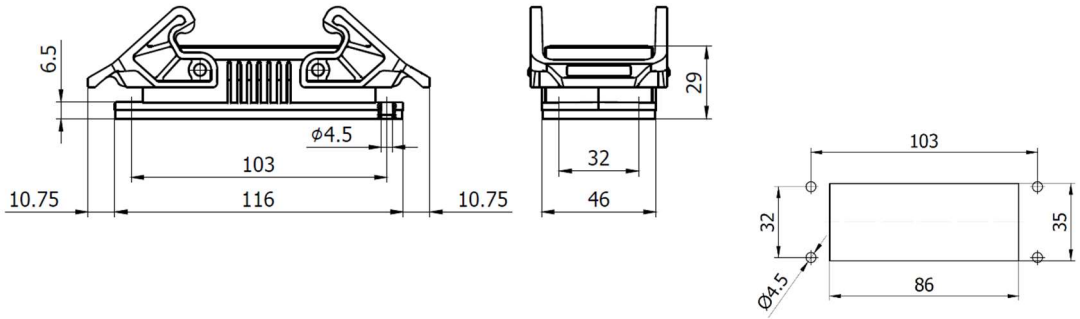
- NBR

Limiting temperatures

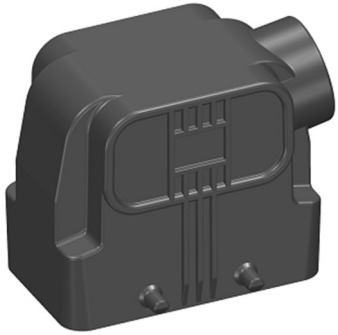
- -40°C to +125°C


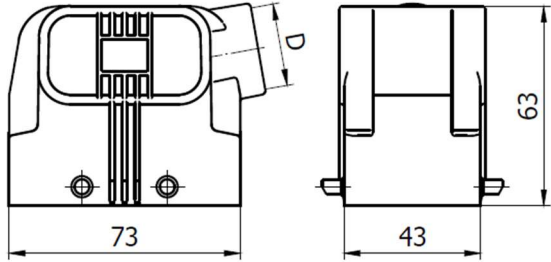
Degree of protection

- IP65

16B	Bulkhead Housing
	
<p>RS Stock No</p>	<p>446-981</p>


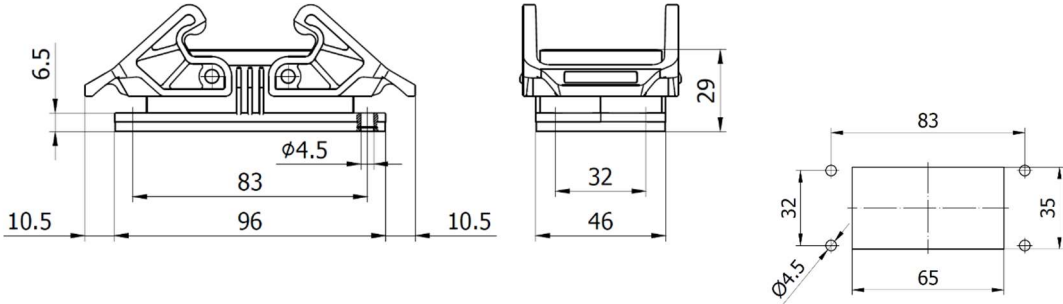
Plastic Hood / Bulkhead Housing



10B	Hood
	 <p style="text-align: right;">Size of "D" PG16</p>
<p>RS Stock No</p>	<p>446-980</p>

Specifications

- Material**
 - Polyamide
- Colour**
 - Black
- Locking element**
 - Polyamide
- Lever type**
 - Polyamide
- Material (seal)**
 - NBR
- Limiting temperatures**
 - -40°C to +125°C
- Degree of protection**
 - IP65

10B	Bulkhead Housing
	
<p>RS Stock No</p>	<p>446-979</p>

Connectors Set


Specifications


Flammability acc. to UL 94
V 0

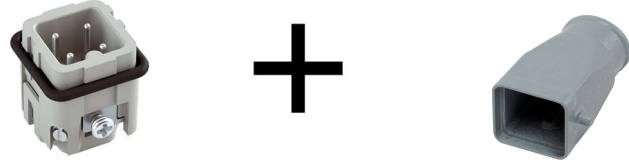
Limiting temperature
-40°C to +125°C

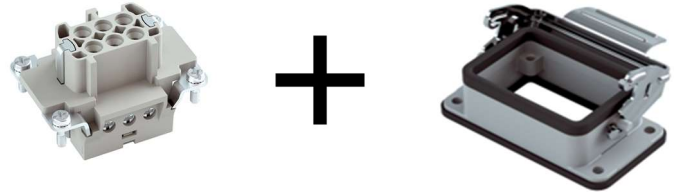
Mating cycles
≥500

Degree of protection
IP65

RS Stock No	457-231	PG11
		
Material	Polycarbonate	Material
Termination	Screw terminal	Colour
Cable Entry	Back	Locking element
acc. To EN 61984	10 A 250 V 4 kV 3	Lever Type
Wire gauge	0.75-2.5 mm ²	Hoods/Housing seal

RS Stock No	457-236	PG11
		
Material	Polycarbonate	Material
Termination	Screw terminal	Colour
Cable Entry	Back	Locking element
acc. To EN 61984	10 A 250 V 4 kV 3	Lever Type
Wire gauge	0.75-2.5 mm ²	Hoods/Housing seal

RS Stock No	457-233	PG11
		
Material	Polycarbonate	Material
Termination	Screw terminal	Colour
Cable Entry	Back	Locking element
acc. To EN 61984	10 A 250 V 4 kV 3	Lever Type
Wire gauge	0.75-2.5 mm ²	Hoods/Housing seal

RS Stock No	457-283	PG11
		
Material	PBT	Material
Termination	Screw terminal	Colour
Cable Entry	Back	Locking element
acc. To EN 61984	16 A 500 V 6 kV 3	Lever Type
Wire gauge	0.75-2.5 mm ²	Hoods/Housing seal

Connectors Set

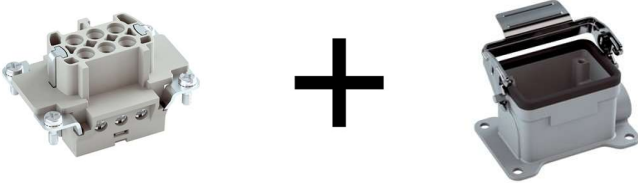
Specifications

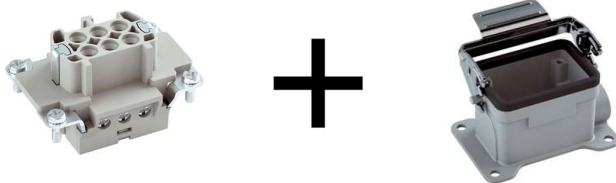
Flammability acc. to UL 94
V 0


Limiting temperature
-40°C to +125°C

Mating cycles
≥500

Degree of protection
IP65

RS Stock No	457-237	M20	
			
Material	PBT	Material	Aluminium
Termination	Screw terminal	Colour	RAL 7040 (grey)
Cable Entry	Back	Locking element	Stainless steel
acc. To EN 61984	16 A 500 V 6 kV 3	Lever Type	Steel
Wire gauge	0.75-2.5 mm ²	Hoods/Housing seal	NBR

RS Stock No	457-281	PG16	
			
Material	PBT	Material	Aluminium
Termination	Screw terminal	Colour	RAL 7040 (grey)
Cable Entry	Back	Locking element	Stainless steel
acc. To EN 61984	16 A 500 V 6 kV 3	Lever Type	Steel
Wire gauge	0.75-2.5 mm ²	Hoods/Housing seal	NBR

RS Stock No	457-234	PG13.5	
			
Material	PBT	Material	Aluminium
Termination	Screw terminal	Colour	RAL 7040 (grey)
Cable Entry	Back	Locking element	Stainless steel
acc. To EN 61984	16 A 500 V 6 kV 3	Lever Type	Steel
Wire gauge	0.75-2.5 mm ²	Hoods/Housing seal	NBR

RS Stock No	457-278	PG13.5	
			
Material	PBT	Material	Aluminium
Termination	Screw terminal	Colour	RAL 7040 (grey)
Cable Entry	Back	Locking element	Stainless steel
acc. To EN 61984	16 A 500 V 6 kV 3	Lever Type	Steel
Wire gauge	0.75-2.5 mm ²	Hoods/Housing seal	NBR

Connectors Set

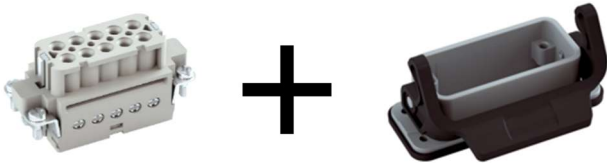
Specifications


Flammability acc. to UL 94
V 0

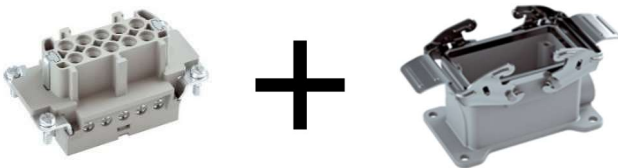
Limiting temperature
-40°C to +125°C

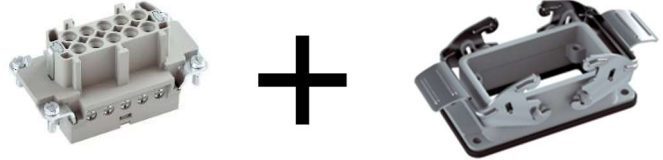
Mating cycles
≥500

Degree of protection
IP65

RS Stock No	457-244		
			
Material	Polycarbonate	Material	Aluminium
Termination	Screw terminal	Colour	RAL 7040 (grey)
Cable Entry	Back	Locking element	Polyamide
acc. To EN 61984	10 A 250 V 4 kV 3	Lever Type	Lever , plastic
Wire gauge	0.75-2.5 mm ²	Hoods/Housing seal	NBR

RS Stock No	457-270 PG16		
			
Material	Polycarbonate	Material	Aluminium
Termination	Screw terminal	Colour	RAL 7040 (grey)
Cable Entry	Back	Locking element	Polyamide
acc. To EN 61984	10 A 250 V 4 kV 3	Lever Type	Lever , plastic
Wire gauge	0.75-2.5 mm ²	Hoods/Housing seal	NBR

RS Stock No	457-247 PG16		
			
Material	PBT	Material	Aluminium
Termination	Screw terminal	Colour	RAL 7040 (grey)
Cable Entry	Back	Locking element	Stainless steel
acc. To EN 61984	16 A 500 V 6 kV 3	Lever Type	Steel
Wire gauge	0.75-2.5 mm ²	Hoods/Housing seal	NBR

RS Stock No	457-284		
			
Material	PBT	Material	Aluminium
Termination	Screw terminal	Colour	RAL 7040 (grey)
Cable Entry	Back	Locking element	Stainless steel
acc. To EN 61984	16 A 500 V 6 kV 3	Lever Type	Steel
Wire gauge	0.75-2.5 mm ²	Hoods/Housing seal	NBR

Connectors Set

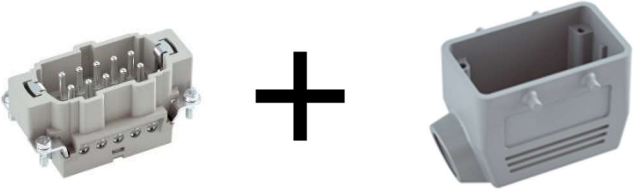
Specifications

Flammability acc. to UL 94
V 0

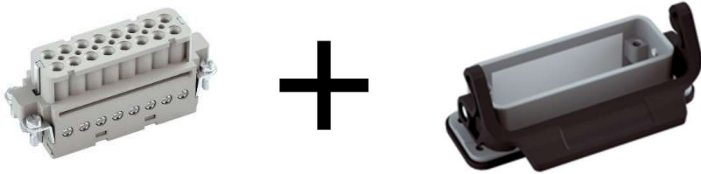
Limiting temperature
-40°C to +125°C

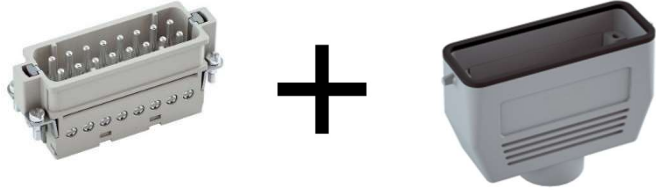
Mating cycles
≥500

Degree of protection
IP65

RS Stock No	457-242	PG16	
			
Material	PBT	Material	Aluminium
Termination	Screw terminal	Colour	RAL 7040 (grey)
Cable Entry	Back	Locking element	Stainless steel
acc. To EN 61984	16 A 500 V 6 kV 3	Lever Type	Steel
Wire gauge	0.75-2.5 mm ²	Hoods/Housing seal	NBR

RS Stock No	457-269	M20	
			
Material	PBT	Material	Aluminium
Termination	Screw terminal	Colour	RAL 7040 (grey)
Cable Entry	Back	Locking element	Stainless steel
acc. To EN 61984	16 A 500 V 6 kV 3	Lever Type	Steel
Wire gauge	0.75-2.5 mm ²	Hoods/Housing seal	NBR

RS Stock No	457-271	PG21	
			
Material	Polycarbonate	Material	Aluminium
Termination	Screw terminal	Colour	RAL 7040 (grey)
Cable Entry	Back	Locking element	Polyamide
acc. To EN 61984	10 A 250 V 4 kV 3	Lever Type	Lever , plastic
Wire gauge	0.75-2.5 mm ²	Hoods/Housing seal	NBR

RS Stock No	457-252	PG21	
			
Material	Polycarbonate	Material	Aluminium
Termination	Screw terminal	Colour	RAL 7040 (grey)
Cable Entry	Back	Locking element	Polyamide
acc. To EN 61984	10 A 250 V 4 kV 3	Lever Type	Lever , plastic
Wire gauge	0.75-2.5 mm ²	Hoods/Housing seal	NBR

Connectors Set

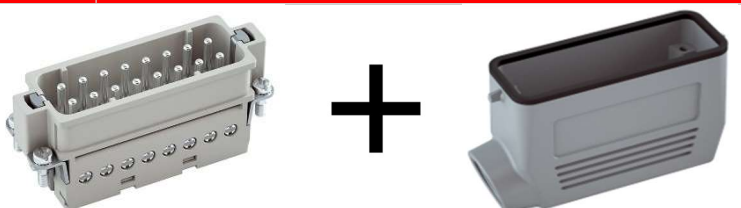
Specifications

Flammability acc. to UL 94
V 0

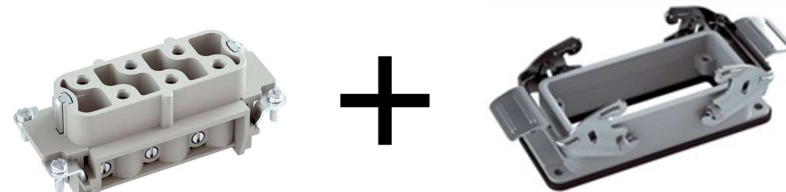
Limiting temperature
-40°C to +125°C

Mating cycles
≥500

Degree of protection
IP65

RS Stock No	457-253	PG21	
			
Material	Polycarbonate	Material	Aluminum
Termination	Screw terminal	Colour	RAL 7040 (grey)
Cable Entry	Back	Locking element	Polyamide
acc. To EN 61984	10 A 250 V 4 kV 3	Lever Type	Lever , plastic
Wire gauge	0.75-2.5 mm ²	Hoods/Housing seal	NBR

RS Stock No	457-277		
			
Material	PBT	Material	Aluminum
Termination	Screw terminal	Colour	RAL 7040 (grey)
Cable Entry	Back	Locking element	Stainless steel
acc. To EN 61984	16 A 500 V 6 kV 3	Lever Type	Steel
Wire gauge	0.75-2.5 mm ²	Hoods/Housing seal	NBR

RS Stock No	457-274	PG21	
			
Material	PBT	Material	Aluminum
Termination	Screw terminal	Colour	RAL 7040 (grey)
Cable Entry	Back	Locking element	Stainless steel
acc. To EN 61984	35 A 400/690 V 6 kV 3	Lever Type	Steel
Wire gauge	0.15-6 mm ²	Hoods/Housing seal	NBR

RS Stock No	457-272	PG21	
			
Material	PBT	Material	Aluminum
Termination	Screw terminal	Colour	RAL 7040 (grey)
Cable Entry	Back	Locking element	Stainless steel
acc. To EN 61984	35 A 400/690 V 6 kV 3	Lever Type	Steel
Wire gauge	0.15-6 mm ²	Hoods/Housing seal	NBR

Connectors Set

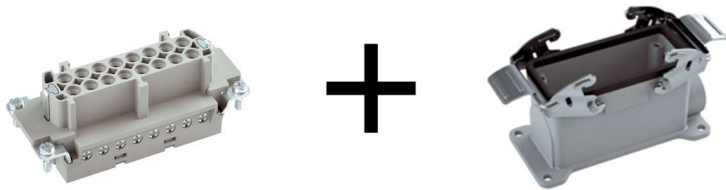
Specifications

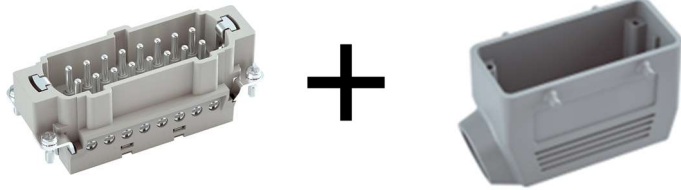
Flammability acc. to UL 94
V 0


Limiting temperature
-40°C to +125°C

Mating cycles
≥500

Degree of protection
IP65

RS Stock No	457-250	PG21
		
Material	PBT	Material Aluminium
Termination	Screw terminal	Colour RAL 7040 (grey)
Cable Entry	Back	Locking element Stainless steel
acc. To EN 61984	16 A 500 V 6 kV 3	Lever Type Steel
Wire gauge	0.75-2.5 mm ²	Hoods/Housing seal NBR

RS Stock No	457-275	PG21
		
Material	PBT	Material Aluminium
Termination	Screw terminal	Colour RAL 7040 (grey)
Cable Entry	Back	Locking element Stainless steel
acc. To EN 61984	16 A 500 V 6 kV 3	Lever Type Steel
Wire gauge	0.75-2.5 mm ²	Hoods/Housing seal NBR

RS Stock No	457-286	PG21
		
Material	PBT	Material Aluminium
Termination	Screw terminal	Colour RAL 7040 (grey)
Cable Entry	Back	Locking element Stainless steel
acc. To EN 61984	16 A 500 V 6 kV 3	Lever Type Steel
Wire gauge	0.75-2.5 mm ²	Hoods/Housing seal NBR

RS Stock No	457-255	PG21
		
Material	PBT	Material Aluminium
Termination	Screw terminal	Colour RAL 7040 (grey)
Cable Entry	Back	Locking element Stainless steel
acc. To EN 61984	16 A 500 V 6 kV 3	Lever Type Steel
Wire gauge	0.75-2.5 mm ²	Hoods/Housing seal NBR

Connectors Set

Specifications

Flammability acc. to UL 94
V 0

Limiting temperature
-40°C to +125°C

Mating cycles
≥500

Degree of protection
IP65

RS Stock No		457-280		PG21		RS Stock No		747-671		M20	
											
Material	PBT	Material	Aluminium	Material	PBT	Material	Aluminium	Material	PBT	Material	Aluminium
Termination	Screw terminal	Colour	RAL 7040 (grey)	Termination	Screw terminal	Colour	RAL 7040 (grey)	Termination	Screw terminal	Colour	RAL 7040 (grey)
Cable Entry	Back	Locking element	Stainless steel	Cable Entry	Back	Locking element	Stainless steel	Cable Entry	Back	Locking element	Stainless steel
acc. To EN 61984	16 A 500 V 6 kV 3	Lever Type	Steel	acc. To EN 61984	16 A 500 V 6 kV 3	Lever Type	Steel	acc. To EN 61984	16 A 500 V 6 kV 3	Lever Type	Steel
Wire gauge	0.75-2.5 mm ²	Hoods/Housing seal	NBR	Wire gauge	0.75-2.5 mm ²	Hoods/Housing seal	NBR	Wire gauge	0.75-2.5 mm ²	Hoods/Housing seal	NBR

Connectors Set

Specifications

Flammability acc. to UL 94
V 0

Limiting temperature
-40°C to +125°C

Mating cycles
≥500

Degree of protection
IP65

RS Stock No **457-266**



Material	Polycarbonate	Material	Aluminium
Termination	Screw terminal	Colour	RAL 7040 (grey)
Cable Entry	Back	Locking element	Stainless steel
acc. To EN 61984	10 A 250 V 4 kV 3	Lever Type	Steel
Wire gauge	0.75-2.5 mm ²	Hoods/Housing seal	NBR

RS Stock No **457-238**



Material	Polycarbonate	Material	Aluminium
Termination	Screw terminal	Colour	RAL 7040 (grey)
Cable Entry	Back	Locking element	Stainless steel
acc. To EN 61984	10 A 250 V 4 kV 3	Lever Type	Steel
Wire gauge	0.75-2.5 mm ²	Hoods/Housing seal	NBR

Connectors Set

Specifications

Flammability acc. to UL 94
V 0

Limiting temperature
-40°C to +125°C

Mating cycles
≥500

Degree of protection
IP65

RS Stock No **457-265**



Material	Polycarbonate	Material	Aluminium
Termination	Screw terminal	Colour	RAL 7040 (grey)
Cable Entry	Back	Locking element	Stainless steel
acc. To EN 61984	10 A 250 V 4 kV 3	Lever Type	Steel
Wire gauge	0.75-2.5 mm ²	Hoods/Housing seal	NBR

RS Stock No **457-264**



Material	Polycarbonate	Material	Aluminium
Termination	Screw terminal	Colour	RAL 7040 (grey)
Cable Entry	Back	Locking element	Stainless steel
acc. To EN 61984	10 A 250 V 4 kV 3	Lever Type	Steel
Wire gauge	0.75-2.5 mm ²	Hoods/Housing seal	NBR

Connectors Set

Specifications

Flammability acc. to UL 94
V 0

Limiting temperature
-40°C to +125°C

Mating cycles
≥500

Degree of protection
IP65

RS Stock No **457-243**



Material	Polycarbonate	Material	Aluminium
Termination	Screw terminal	Colour	RAL 7040 (grey)
Cable Entry	Back	Locking element	Stainless steel
acc. To EN 61984	10 A 250 V 4 kV 3	Lever Type	Steel
Wire gauge	0.75-2.5 mm ²	Hoods/Housing seal	NBR

RS Stock No **457-246**



Material	Polycarbonate	Material	Polycarbonate
Termination	Screw terminal	Colour	RAL 7032 (light grey)
Cable Entry	Back	Locking element	Polyamide
acc. To EN 61984	10 A 250 V 4 kV 3	Lever Type	Lever , plastic
Wire gauge	0.75-2.5 mm ²	Hoods/Housing seal	NBR

Connectors Set

Specifications

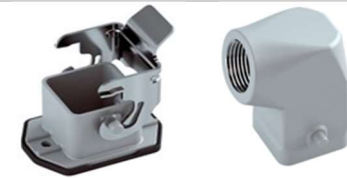
Flammability acc. to UL 94
V 0

Limiting temperature
-40°C to +125°C

Mating cycles
≥500

Degree of protection
IP65

RS Stock No **457-228**



M20

Material	Polycarbonate	Material	Aluminium
Termination	Screw terminal	Colour	RAL 7040 (grey)
Cable Entry	Back	Locking element	Stainless steel
acc. To EN 61984	10 A 250 V 4 kV 3	Lever Type	Steel
Wire gauge	0.75-2.5 mm ²	Hoods/Housing seal	NBR

RS Stock No **457-224**



M20

Material	PBT	Material	Aluminium
Termination	Screw terminal	Colour	RAL 7040 (grey)
Cable Entry	Back	Locking element	Stainless steel
acc. To EN 61984	16 A 500 V 6 kV 3	Lever Type	Steel
Wire gauge	0.75-2.5 mm ²	Hoods/Housing seal	NBR

Connectors Set

Specifications

Flammability acc. to UL 94
V 0

Limiting temperature
-40°C to +125°C

Mating cycles
≥500

Degree of protection
IP65

RS Stock No **457-268**



M20



Material	Polycarbonate	Material	Aluminium
Termination	Screw terminal	Colour	RAL 7040 (grey)
Cable Entry	Back	Locking element	Polyamide
acc. To EN 61984	10 A 250 V 4 kV 3	Lever Type	Lever , plastic
Wire gauge	0.75-2.5 mm ²	Hoods/Housing seal	NBR

RS Stock No **457-222**



M20



Material	Polycarbonate	Material	Aluminium
Termination	Screw terminal	Colour	RAL 9005 (black)
Cable Entry	Back	Locking element	Polyamide
acc. To EN 61984	10 A 250 V 4 kV 3	Lever Type	Lever , plastic
Wire gauge	0.75-2.5 mm ²	Hoods/Housing seal	NBR

Connectors Set

Specifications

Flammability acc. to UL 94
V 0

Limiting temperature
-40°C to +125°C

Mating cycles
≥500

Degree of protection
IP65

RS Stock No		457-256			
					
		M25			
Material	Polycarbonate		Material	Aluminium	
Termination	Screw terminal		Colour	RAL 7040 (grey)	
Cable Entry	Back		Locking element	Polyamide	
acc. To EN 61984	10 A 250 V 4 kV 3		Lever Type	Lever , plastic	
Wire gauge	0.75-2.5 mm ²		Hoods/Housing seal	NBR	

RS Stock No		457-262			
					
		M25			
Material	PBT		Material	Aluminium	
Termination	Screw terminal		Colour	RAL 7040 (grey)	
Cable Entry	Back		Locking element	Stainless steel	
acc. To EN 61984	16 A 500 V 6 kV 3		Lever Type	Steel	
Wire gauge	0.75-2.5 mm ²		Hoods/Housing seal	NBR	

Connectors Set

Specifications

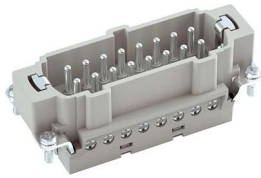
Flammability acc. to UL 94
V 0

Limiting temperature
-40°C to +125°C

Mating cycles
≥500

Degree of protection
IP65

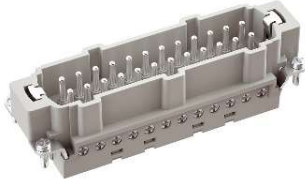
RS Stock No **457-249**



M25

Material	PBT	Material	Aluminum
Termination	Screw terminal	Colour	RAL 7040 (grey)
Cable Entry	Back	Locking element	Stainless steel
acc. To EN 61984	16 A 500 V 6 kV 3	Lever Type	Steel
Wire gauge	0.75-2.5 mm ²	Hoods/Housing seal	NBR

RS Stock No **457-240**



M25

Material	PBT	Material	Aluminum
Termination	Screw terminal	Colour	RAL 7040 (grey)
Cable Entry	Back	Locking element	Stainless steel
acc. To EN 61984	16 A 500 V 6 kV 3	Lever Type	Steel
Wire gauge	0.75-2.5 mm ²	Hoods/Housing seal	NBR

Connectors Set

Specifications

Flammability acc. to UL 94
V 0

Limiting temperature
-40°C to +125°C

Mating cycles
≥500

Degree of protection
IP65

RS Stock No **457-225**



Material	PBT	Material	Aluminum
Termination	Screw terminal	Colour	RAL 7040 (grey)
Cable Entry	Back	Locking element	Stainless steel
acc. To EN 61984	16 A 500 V 6 kV 3	Lever Type	Steel
Wire gauge	0.75-2.5 mm ²	Hoods/Housing seal	NBR

RS Stock No **747-669**



Material	PBT	Material	Aluminum
Termination	Screw terminal	Colour	RAL 7040 (grey)
Cable Entry	Back	Locking element	Stainless steel
acc. To EN 61984	16 A 500 V 6 kV 3	Lever Type	Steel
Wire gauge	0.75-2.5 mm ²	Hoods/Housing seal	NBR

Connectors Set





Specifications

Flammability acc. to UL 94
V 0

Limiting temperature
-40°C to +125°C

Mating cycles
≥500

Degree of protection
IP65

RS Stock No	457-287			
				
				M20
Material	Polycarbonate		Material	Aluminium
Termination	Screw terminal		Colour	RAL 7040 (grey)
Cable Entry	Back		Locking element	Stainless steel
acc. To EN 61984	10 A 250 V 4 kV 3		Lever Type	Steel
Wire gauge	0.75-2.5 mm ²		Hoods/Housing seal	NBR

RS Stock No	457-288			
				
				M20
Material	Polycarbonate		Material	Aluminium
Termination	Screw terminal		Colour	RAL 7040 (grey)
Cable Entry	Back		Locking element	Stainless steel
acc. To EN 61984	10 A 250 V 4 kV 3		Lever Type	Steel
Wire gauge	0.75-2.5 mm ²		Hoods/Housing seal	NBR

Connectors Set

Specifications

Flammability acc. to UL 94
V 0

Limiting temperature
-40°C to +125°C

Mating cycles
≥500

Degree of protection
IP65

RS Stock No **457-221**



M20

Material	Polycarbonate	Material	Aluminum
Termination	Screw terminal	Colour	RAL 7040 (grey)
Cable Entry	Back	Locking element	Stainless steel
acc. To EN 61984	10 A 250 V 4 kV 3	Lever Type	Steel
Wire gauge	0.75-2.5 mm ²	Hoods/Housing seal	NBR

RS Stock No **457-227**



PG11

Material	Polycarbonate	Material	Aluminum
Termination	Screw terminal	Colour	RAL 7040 (grey)
Cable Entry	Back	Locking element	Stainless steel
acc. To EN 61984	10 A 250 V 4 kV 3	Lever Type	Steel
Wire gauge	0.75-2.5 mm ²	Hoods/Housing seal	NBR

Connectors Set

Specifications

Flammability acc. to UL 94
V 0

Limiting temperature
-40°C to +125°C

Mating cycles
≥500

Degree of protection
IP65

RS Stock No **457-261**



M20

Material	PBT	Material	Aluminium
Termination	Screw terminal	Colour	RAL 7040 (grey)
Cable Entry	Back	Locking element	Stainless steel
acc. To EN 61984	16 A 500 V 6 kV 3	Lever Type	Steel
Wire gauge	0.75-2.5 mm ²	Hoods/Housing seal	NBR

RS Stock No **457-259**



PG16

Material	PBT	Material	Aluminium
Termination	Screw terminal	Colour	RAL 7040 (grey)
Cable Entry	Back	Locking element	Stainless steel
acc. To EN 61984	16 A 500 V 6 kV 3	Lever Type	Steel
Wire gauge	0.75-2.5 mm ²	Hoods/Housing seal	NBR

Connectors Set

Specifications

Flammability acc. to UL 94
V 0

Limiting temperature
-40°C to +125°C

Mating cycles
≥500

Degree of protection
IP65

RS Stock No

457-258



Material	Polycarbonate	Material	Aluminum
Termination	Screw terminal	Colour	RAL 7040 (grey)
Cable Entry	Back	Locking element	Polyamide
acc. To EN 61984	10 A 250 V 4 kV 3	Lever Type	Lever , plastic
Wire gauge	0.75-2.5 mm ²	Hoods/Housing seal	NBR

RS PRO products are audited against demanding international standards, inspected for durability and consistency and tested by leading engineers.

Only when products have been through this process, they are awarded our seal of approval, demonstrating quality that can be trusted. Confidence in this process is reflected in our product warranties – proof that our products will consistently deliver the quality you expect for a long time to come.



AUDITED

In compliance with industry standard



INSPECTED

By leading engineers



TESTED

For guaranteed quality and performance

