



Datasheet

Stock No: 862-5705

RS Pro IdeaWerk Pro 3D Printer

ENGLISH



Product Details

Runtime Environment:

Relative Humidity: 30%~90%

Temperature Ranges : 5°C~35°C

Technical Parameters:

1. Electrical Parameters

Power Input: AC 100-240V , 1.5A 50-60Hz

Power Output: DC 19V/ 9.5A

Rated power(max): 180W

2. Print Parameters

Building Plate Size: 150(L) × 150(W) mm

Printing Size: 150(L) × 150(W) × 140(H) mm

Layer Thickness: 0.2 ~ 0.3mm

Printing Speed: 30 - 150mm³/h

3. Consumable Parameters:

Printing Filament: PLA/ABS/Flexible/Wood/HIPS/PC/PA/PVA

Filament Diameter: 1.75mm

PLA Printing Temperature: 220 - 230°C

ABS Printing Temperature: 230-240°C

Filament Colour: Multiple (Nature comes along with the printer)

4. Software Parameters

Printing Software: DoraWare-P

Printing File: STL/ WTK/GCODE

Compatible System: Windows XP/ Vista/ Win7/ Win8/ Win8.1

5. Structure Parameters

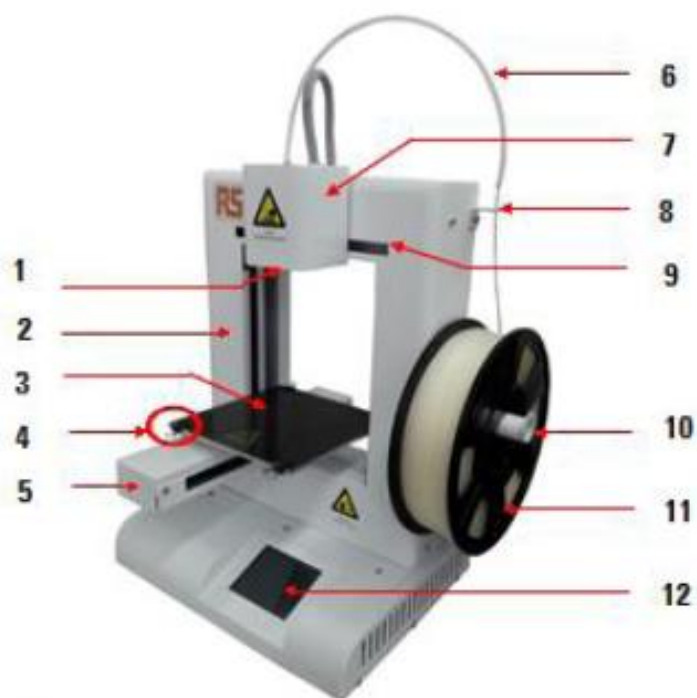
Shipping Size: 496(L) x 376(W) x 356(H) mm

Printer Size: 298(L) x 221(W) x 403(H) mm

Gross Weight: 12.7kg

Net Weight: 7.68kg

Product Introduction:



1. Nozzle
5. Y-Axis
9. X-Axis
13. USB Interface

2. Z-Axis
6. Teflon Tube
10. Spool Holder
14. Power Input

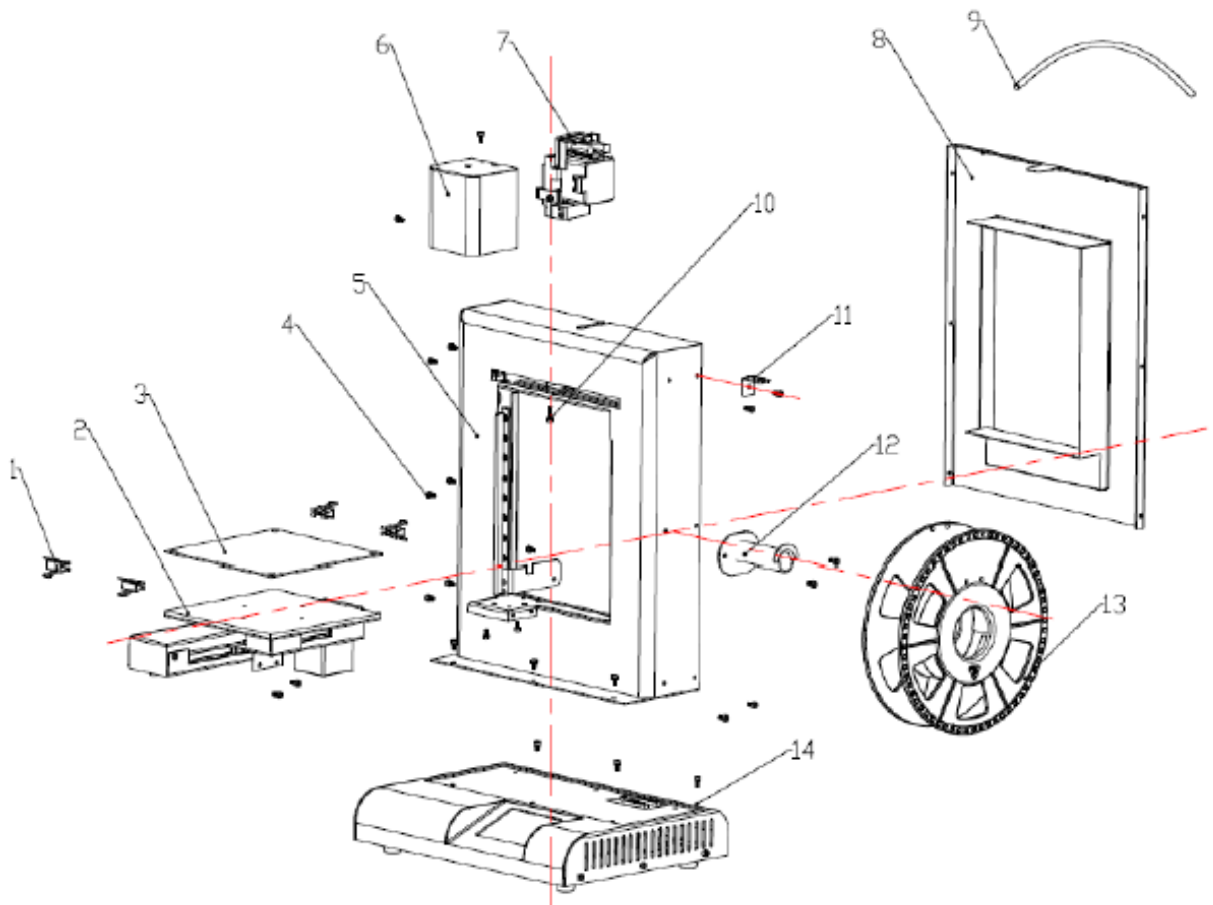
3. Building Plate
7. Extruder
11. Filament Spool
15. Power Switch

4. Glips
8. Filament Guide
12. Touch Screen
16. USB Slot

Features:

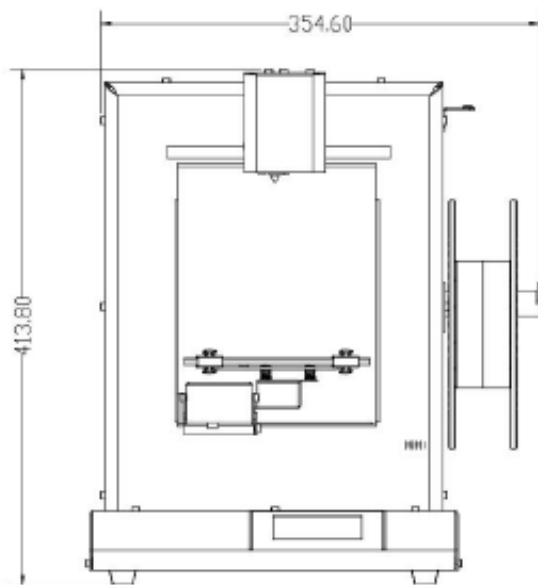
1. RS IdeaWerk Pro produces no toxicity, chemical pollution or smell. No professional site or maintenance is required.
2. RS IdeaWerk Pro is easy to print either from computer or from USB Flash Drive.
3. RS IdeaWerk Pro is modularized and convenient for maintenance.
4. The software Doraware-P has all kinds of support model to print different models.
5. Only small noise during printing, RS IdeaWerk Pro is Ideal for office, home or class.
6. The software Doraware-P is user friendly and simple. No professionals required.
7. With stable performance and reliable quality, the RS IdeaWerk Pro prints out 95% models successfully.
8. High accuracy.

Parts List:

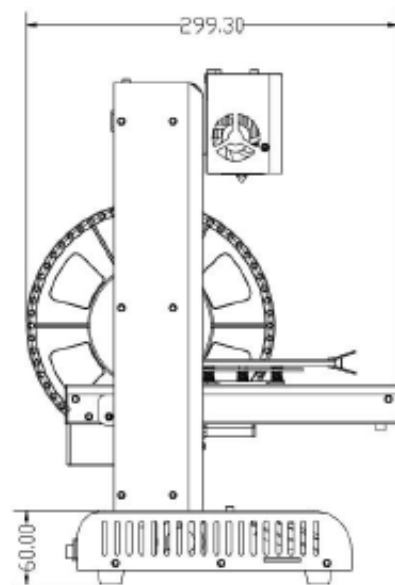


No.	Name	Specification	Quantity
1	Clip	B3609(19mm)	4
2	Y-Axis Module	WT280A-BOM-03	1
3	Building Plate	150 x 150 x 1.6mm	1
4	Allen Nut (Nickel)	M3 x 6	29
5	Main Module	WT280A-BOM-02	1
6	Extruder Cover	WT280A(MAG)-03-04	1
7	Extruder	WT280A-BOM-02-01	1
8	Main Module Cover	WT280A(MAG)-01-05	1
9	Teflon Tube	Internal Diameterϕ3 x External Diameterϕ4mm	1
10	Allen Nut (Nickel)	M3 x 12	1
11	Filament Guide	WT-MINI(MAG)-01-10	1
12	Spool Holder	WT-MINI(MAG)-03-09	1
13	0.75KG Filament Spool	ϕ200 x 51 x 55mm (External Diameter x Internal Diameter x Thickness)	1
14	Main Module Bottom	WT280A-BOM-02	1

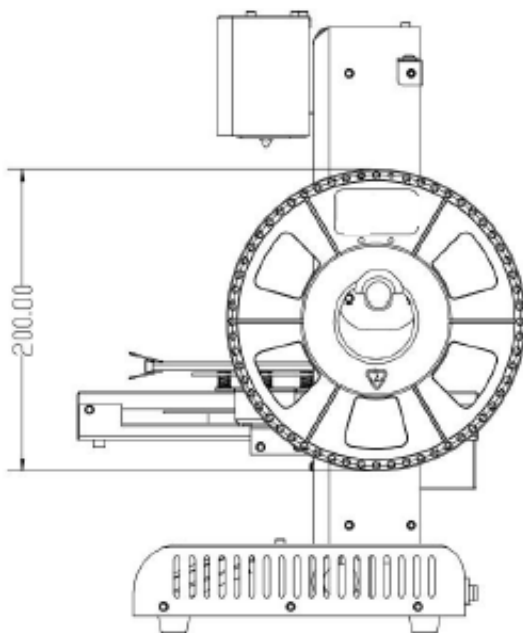
Dimensions:



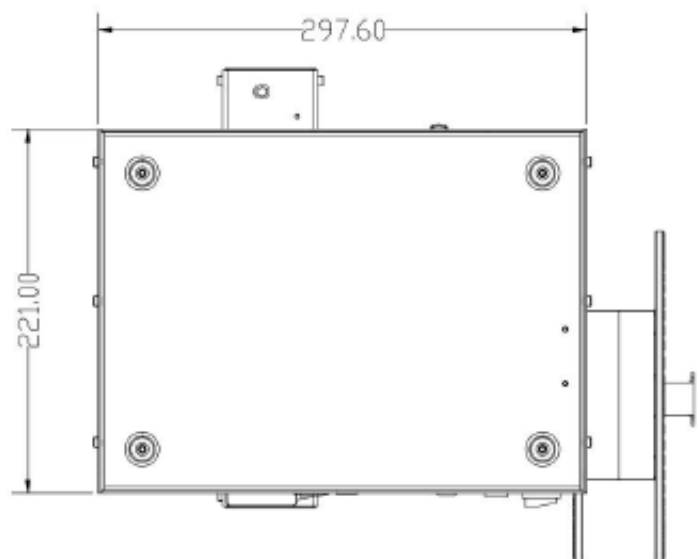
Dimension Front



Dimension Left



Dimension Right



Dimension Bottom