

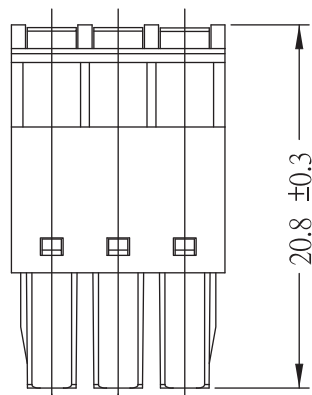
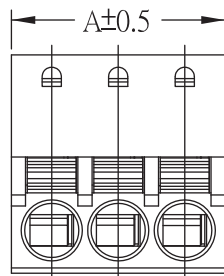
1

2

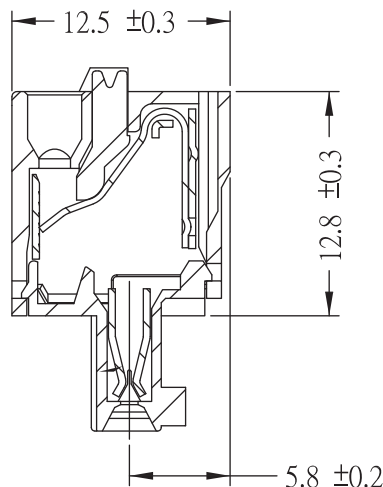
3

4

5



3.81 ±0.1



Pitch:3.81mm	
Poles	A(mm)
2	8.42
3	12.23
4	16.04
5	19.85
6	23.66
7	27.47
8	31.28
9	35.09
10	38.90
11	42.71
12	46.52

TECHNICAL CHARACTERISTICS

MATERIAL
 INSULATOR: PA 66
 FLAMABILITY RATING: UL94-V0
 COLOR: GREEN & ORANGE
 METAL SPRING: STAINLESS STRIP STEEL
 WIRE GUARD: PhBz TIN PLATED

ENVIRONMENTAL
 OPERATING TEMPERATURE: -40 UP TO 115°C
 COMPLIANCE: LEAD FREE AND ROHS

ELECTRICAL cULus
 CURRENT RATING: 8A
 WORKING VOLTAGE: 300VAC
 WITHSTANDING VOLTAGE: 2.0KV
 CONTACT RESISTANCE: 20 mOhm max

STANDARD
 cULus CERTIFIED E315414 / Model number 69136830

MECHANICAL
 SOLID WIRE: 28-16 AWG / 0.08-1.3MM²
 STRANDED WIRE: 28-16 AWG / 0.08-1.3MM²

WIRE STRIPE LENGTH: 9MM
 PITCH: 3.81MM

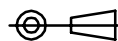
PACKAGING: BOX

SERIE 368B

RoHS Compliant

G			
F			
E			
D			
C			
B	02-JUL-13	STANDARD POLES	QL
A	20-JUN-12	PDF	GG
REV	DATE	FILE	BY

PROJECTION:



APPROVAL: RJ

GENERAL TOLERANCE

.X = +/- 0.2

.XX = +/- 0.15



UNIT: MM

SCALE:

SHEET: 1/1

DRAW: MARVIN

DESCRIPTION: SERIE 368B - 3.81MM Scewless Vertical Cable Entry Plug -
 1,3 mm² Wire

WERI PART NO: 691 368 300 0xx B

SIZE

A4