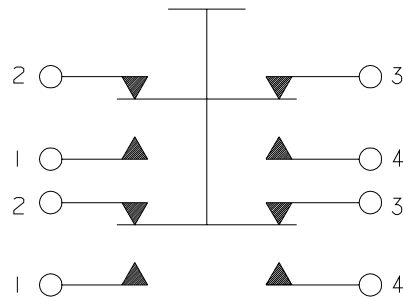


P4-10149

CHARACTERISTICS

ELECTRICAL:

RATINGS: SEA LEVEL		
LOAD	28VDC	125VAC
RESISTIVE	5 AMPS	5 AMPS
INDUCTIVE	3 AMPS	3 AMPS
DWV	1050 VRMS	



(B) DPDT-DB SCHEMATIC

PART NUMBER	BUTTON COLOR
P4-10149-1	RED
P4-10149-2	BLACK
P4-10149-3	ORANGE
P4-10149-4	YELLOW
P4-10149-5	GREEN
P4-10149-6	BLUE
P4-10149-7	VIOLET
P4-10149-8	GRAY
P4-10149-9	CLEAR

LET	OCN #	DATE	APR
A	912301	26 JUL 91	BG
B	964235	05 NOV 96	TO

MECHANICAL:

OPERATING FORCE: 4.0 LBS. MAX.
 PRETRAVEL: .050 MAX.
 OVERTRAVEL: .004 MIN.

PHYSICAL:

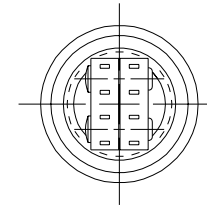
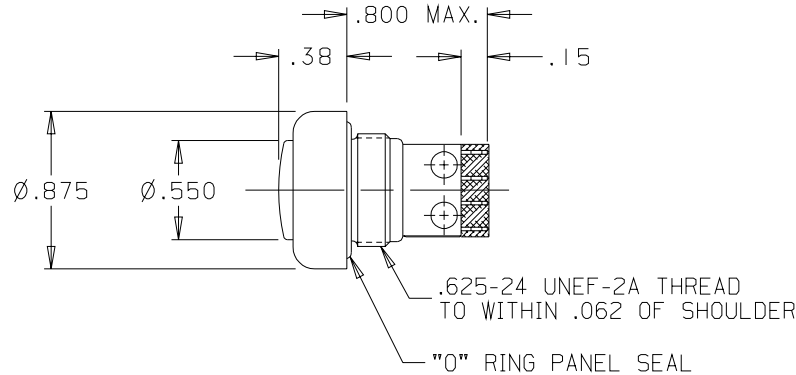
PANEL SEAL: WATERTIGHT
 CASE: CLEAR ANODIZED ALUMINUM ALLOY
 BUTTON: ANODIZED ALUMINUM ALLOY;
 COLOR PER CHART

MOUNTING HARDWARE:
 HEX NUT & LOCKWASHER

MARK: OTTO 21649
 & DATE CODE
 PART NUMBER TO BE
 MARKED ON THE SHIPPING
 CONTAINER ONLY.

NOTE: OPERATION OF BASIC SWITCHES
 TO BE SIMULTANEOUS WITHIN 0.010.

(B)



OTTO CONTROLS
 DIVISION OF
 OTTO ENGINEERING INC.
 CARPENTERSVILLE, ILLINOIS USA

PART NAME
 SWITCH, PUSHBUTTON

MINOR MAJOR CRITICAL SPC CRITICAL

UNLESS OTHERWISE SPECIFIED:
 DIMENSIONS ARE IN INCHES.
 TOLERANCES ARE AS LISTED.
 MUST BE FREE FROM BURRS
 AND SHARP EDGES.

TOLERANCES	
.XX	±.03
.XXX	±.010
ANGLES	±2°
DO NOT SCALE DRAWING.	
THIRD ANGLE PROJECTION	

THIS DOCUMENT IS THE CONFIDENTIAL
 PROPERTY OF OTTO ENGINEERING, INC..
 IT IS PROVIDED ON A RESTRICTED
 BASIS AND IS NOT TO BE USED IN ANY
 WAY DETRIMENTAL TO THE INTERESTS
 OF OTTO ENGINEERING, INC..

DRWN. KA	SIZE	FSCM NO	DRAWING NO.	REV.
CHKD. AG	A	21649	P4-10149	B
APPD. ZS				
DATE 17 APR 91	WT.	SCALE 1:1	SHEET 1 OF 1	