

## Mod. G7550 - Fittings Series 7000 - Automation

Product code: G7550 16

Datasheet creation date: 12/12/2025 08:31

Check the most updated document online [click here](#)

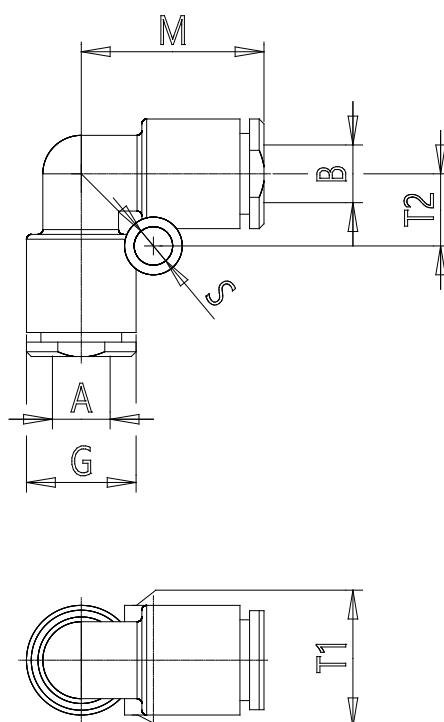


### TECHNICAL DATA

Mod.	G7550 16
------	----------

## Mod. G7550 - Fittings Series 7000 - Automation

Product code: G7550 16



### DIMENSIONS

<b>A (mm)</b>	16
<b>B (mm)</b>	16
<b>GD (mm)</b>	27.0
<b>M (mm)</b>	38.0
<b>S (mm)</b>	0
<b>T1 (mm)</b>	27.0
<b>T2 (mm)</b>	0.0
<b>Weight (g)</b>	23