

Datasheet

RS Pro Flow Indicator

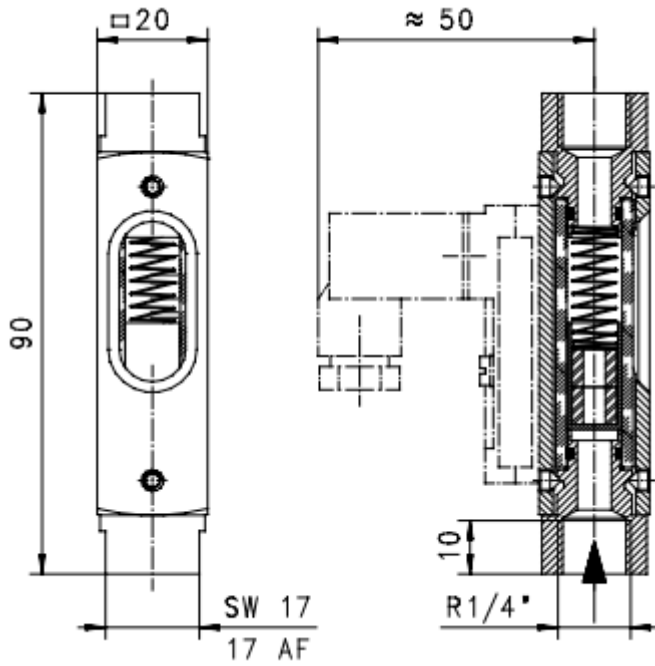


General Characteristics

Mechanical flow indicator for a quantitative flow indication for liquids or gaseous media.

- Good repeatability
- Tolerance $\pm 10\%$ of full scale
- Media temperature max. 120°C
- Average pressure loss 0.2 bar at Q_{max} .

Item Number	Connection R"	PN bar	Q_{max} Recom. H ₂ O	Indicating Range H ₂ O	Weight kg
5100600	1/4"	16	0.6 l/min	0.1 – 0.6 l/min	0.13
5100616	1/4"	16	3 l/min	0.5–3 l/min	0.13
5100622	1/4"	16	5 l/min	1–5 l/min	0.13



MATERIALS

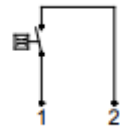
Housing – Aluminium anodized
Connectors – Brass Ms58 nickel plated
Glass – Duran 50
Piston – Brass Ms58 nickel plated
Spring – Stainless steel 1.4310
Magnet – Hardferrite
Seal - NBR

ELECTRICAL DATA

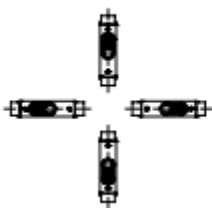
● BASIC Standard
 No electrical components

○ BASIC
 Programme
 option

reed switch - wiring 0.212 n.o.
 200 V AC 1 A 20 VA
 plug DIN 43650-C
 protection class IP 65
 adjustable range complies to indicating range
 additional weight 0.02kg



MOUNTING POSITION



Installation position may
 influence indicating range.
 Scale arrangement for
 upward flow.

METERING SUBSTANCES



water



gas/air



oil



design stainless steel VF-...GK
 for aggressive liquids