



Brand of NTN Group

Technical data

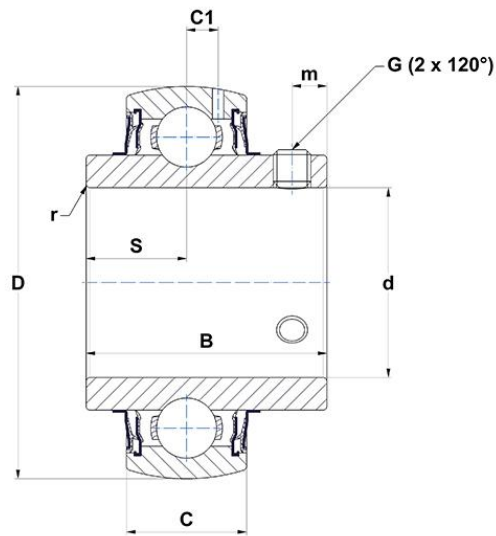
UC206G2L4

Insert bearings



Zinc-coated insert, spherical outer diameter, fixing by socket set screw, L4 sealing system

VISUAL (S)



PRODUCT DEFINITION

Brand	SNR
B - Width of Inner Ring	38,1 mm
C - Width of Outer Ring	19 mm
C1 - Distance center of OR to center of lubrication zone	5 mm
d - Shaft diameter	30 mm
D - Outer diameter of OR	62 mm
G - Set screw size	M6x1
m - Distance to set screw	5,5 mm



NTN Europe

1 rue des Usines · BP 2017 · 74010 Annecy Cedex · France · Tel. +33 (0)4 50 65 30 00
S.A. au capital de 322 639 919 € · RCS ANNECY B 325 821 072 · Id. Fiscale : FR 48 325 821 072
SIRET 325 821 072 00015 · Code APE 2815 Z · Code NACE 28.15

PRODUCT DEFINITION

r - Radius Inner Ring	0.6
S - Distance front side/bearing centre	15,9 mm
f0 - Factor	13.7
SW - Wrench size	3 mm

PRODUCT PERFORMANCE

C - Dynamic load rating	19500000 mN
C0 - Static load rating	11200000 mN
Operating temperature min.	253,15 °K
Operating temperature max.	373,15 °K

OTHER FEATURES

Mass	0,32 kg
Recommended tightening torque for set screw	5.5 N-m

BEARING FREQUENCIES

BPFO - Over rolling frequency on outer ring (60 rpm)	3.56820652173913 Hz
BPMF - Over rolling frequency on inner (60 rpm)	5.43179347826087 Hz
BSF - Over rolling frequency on rolling element (60 rpm)	4.62233110806801 Hz
BRF - Rotational frequency - rolling element (60 rpm)	2.311165554034 Hz
FTF - Rotational frequency - cage (60 rpm)	0.396467391304348 Hz

