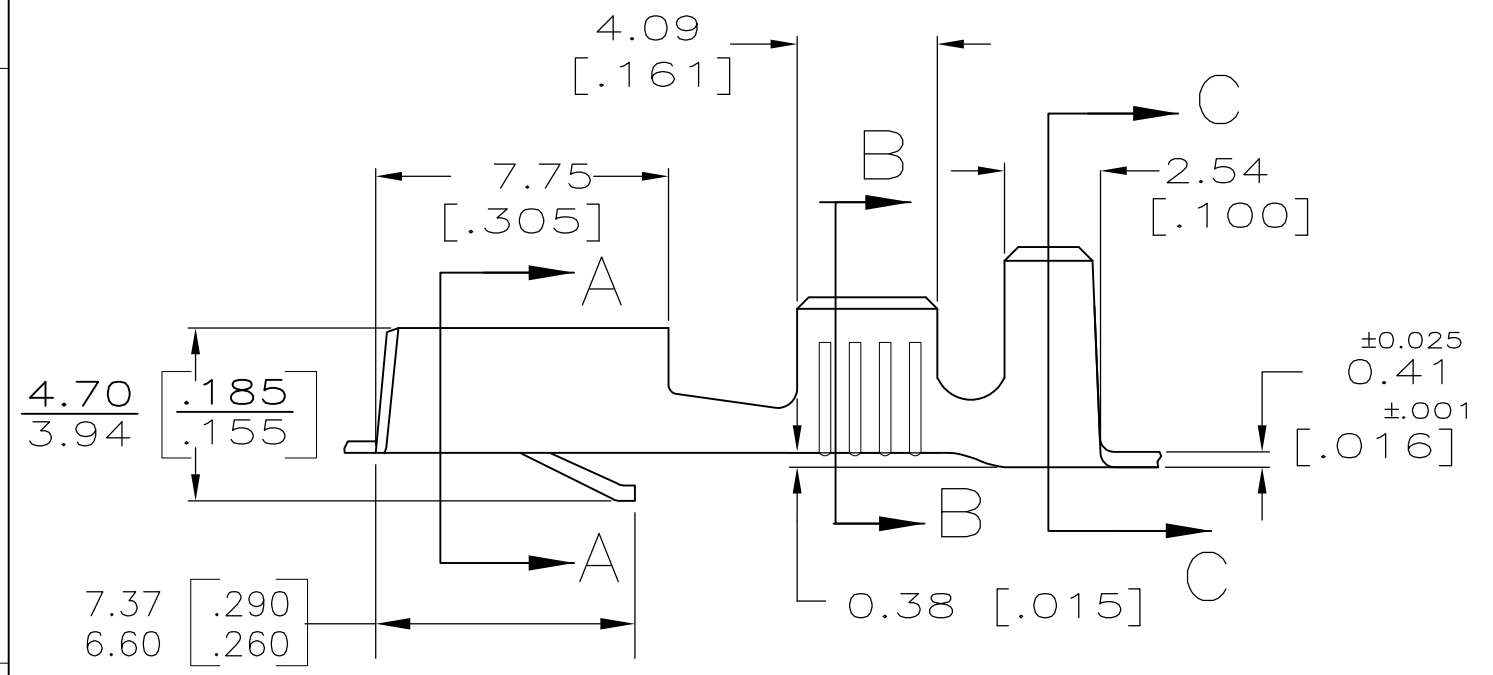
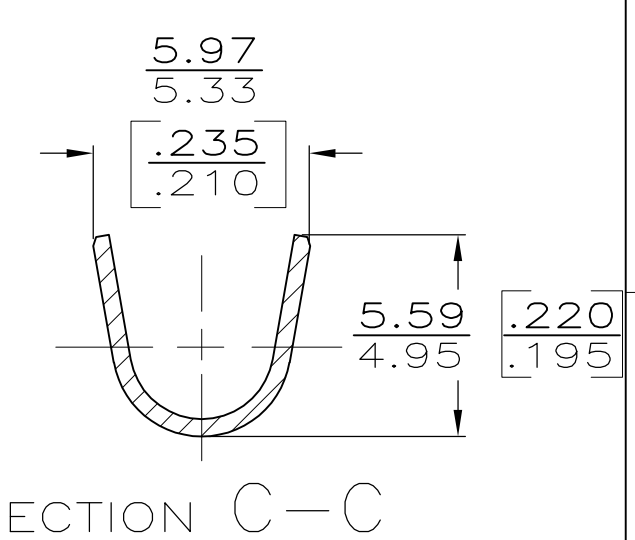
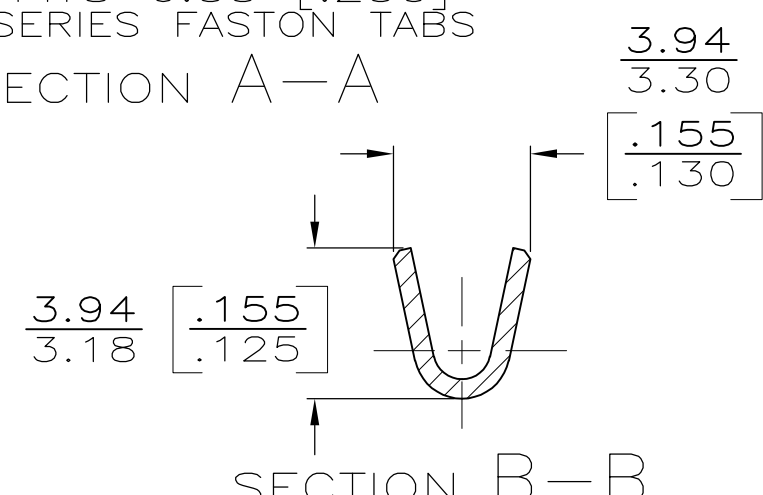
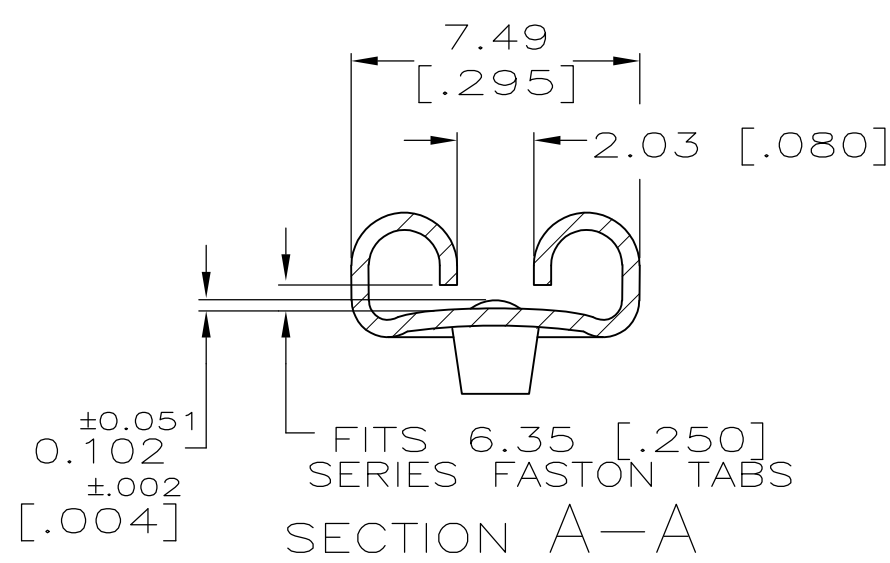
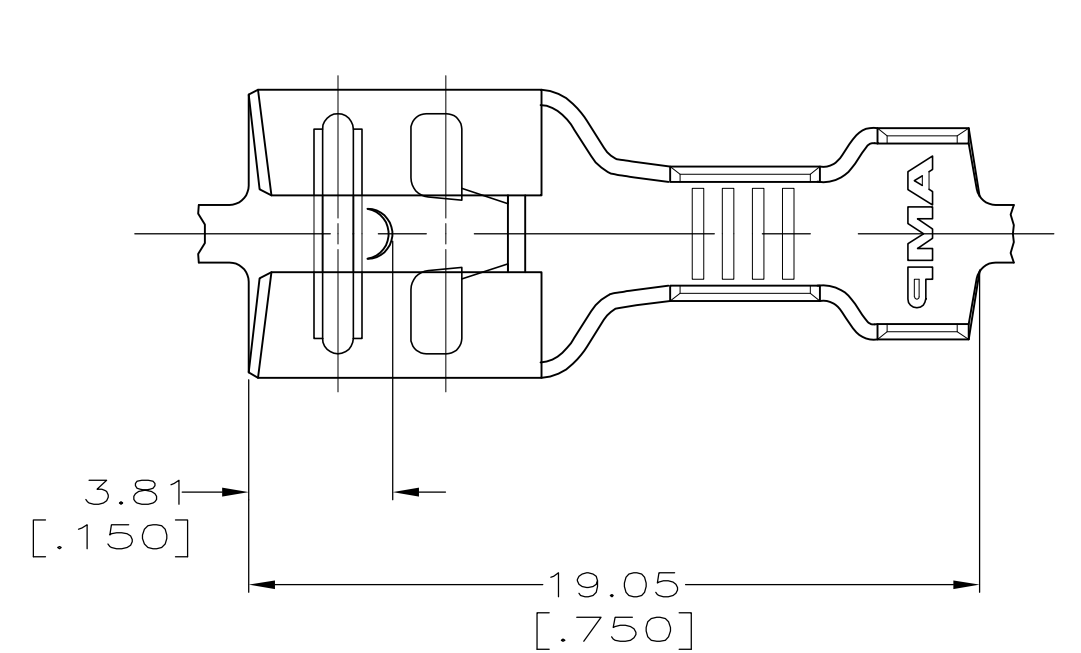


THIS DRAWING IS UNPUBLISHED. RELEASED FOR PUBLICATION  
 © COPYRIGHT BY TYCO ELECTRONICS CORPORATION. ALL RIGHTS RESERVED.

LOC	DIST	REVISIONS					
AF	50	P	LTR	DESCRIPTION	DATE	DWN	APVD
		AM1		REV PER ECR 07-025485	02NOV07	JR	KR

- 1 CONTINUOUS STRIP ON REELS.
- △ 2 PREPRODUCTION - FASR REQ.
- 3 MATING TAB THK TO BE 0.81±0.025 [.032±.001].
- △ 4 REDUCED PACKAGE QUANTITY
- △ 5 PRELIMINARY - NOT FOR PRODUCTION



2.54 - 4.32 [.100-.170]	0.8-2.0mm <sup>2</sup> [18-14]	TIN	H04 BRASS	△ 4/5 42281-8
		TIN	H03 PHOS BRZ	42281-7
INSULATION RANGE	WIRE SIZE	SILVER	H03 PHOS BRZ	△ 42281-6
			H03 PHOS BRZ	42281-5
		SILVER	H04 BRASS	42281-3
		TIN	H04 BRASS	42281-2
		-	H04 BRASS	42281-1
		FINISH	MATERIAL	PART NO.

0	4.57 [.180]	5.59 [.220]	F	2.79 [.110]	1.40 [.055]	[#18]
					1.55 [.061]	[#16]
					1.78 [.070]	[#14]
TYPE	WIDTH	±0.38 [±.015] STRIP LENGTH	TYPE	WIDTH	±0.51 [.002] HEIGHT	WIRE
INSUL BARREL CRIMP			WIRE BARREL CRIMP			

THIS DRAWING IS A CONTROLLED DOCUMENT.

DIMENSIONS: MM [INCHES]

TOLERANCES UNLESS OTHERWISE SPECIFIED:

0 PLC	± -
1 PLC	± -
2 PLC	± 0.25 [.010]
3 PLC	± -
4 PLC	± -
ANGLES	± -

MATERIAL: SEE TABLE

FINISH: SEE TABLE

DWN: JR RUTH 9/17/90

CHK: MS FEHER 9/17/90

APVD: RON KUZO 9/17/90

PRODUCT SPEC

APPLICATION SPEC: 114-2025

WEIGHT: -

CUSTOMER DRAWING

Tyco Electronics Tyco Electronics Corporation Harrisburg, PA 17105-3608

NAME: RECEPTACLE, FASTIN-FASTON, 6.35 [.250] SERIES

SIZE: A3 CAGE CODE: 00779 DRAWING NO: C-42281 RESTRICTED TO: -

SCALE: 5:1 SHEET: 1 OF 1 REV: AM1