

22MM PLASTIC ROUND COMPLETE UNIT COMBINATION:  
 SELECTOR SWITCH MOMENTARY CONTACT TYPE 3 SWITCH  
 POSITIONS I-O-II NON-ILLUMINATED SCREW TERMINAL, 1NO,  
 1NO WITH HOLDER BLACK

Design of the product	Complete unit round
-----------------------	---------------------

**Enclosure:**

Shape of the enclosure front	round
Material of the enclosure	plastic
Number of control points	1

**Actuator:**

Design of the operating mechanism	selector switch
Manner of function of the actuating element	Momentary contact type
Product expansion optional Light source	Yes
Color	
• of the actuating element	black
Material of the actuating element	plastic
Type of unlocking device	rotate-to-unlatch mechanism
Number of switching positions	3

**Front ring:**

Product component front ring	Yes
Design of the front ring	Standard
Material of the front ring	plastic
Color of the front ring	black

**Holder:**

Material of the holder	Plastic
------------------------	---------

**Contact block/ lampholder:**

Number of lampholders	0
Number of switching elements	2

**General technical data:**

Product function	
• positive opening	No
• EMERGENCY STOP function	No
Product component	
• Light source	No
Type of voltage	
• of the operating voltage	AC/DC

<b>Vibration resistance</b>	
<ul style="list-style-type: none"> <li>• acc. to IEC 60068-2-6</li> </ul>	20 ... 200 Hz: 5g
<b>Operating frequency maximum</b>	1 000 1/h
<b>Mechanical service life (switching cycles)</b>	
<ul style="list-style-type: none"> <li>• typical</li> </ul>	300 000
<b>Protection class IP</b>	IP66
<b>Equipment marking</b>	
<ul style="list-style-type: none"> <li>• acc. to DIN 40719 extended according to IEC 204-2 acc. to IEC 750</li> </ul>	S
<ul style="list-style-type: none"> <li>• acc. to DIN EN 61346-2</li> </ul>	S
<ul style="list-style-type: none"> <li>• acc. to DIN EN 81346-2</li> </ul>	S
<b>Operating voltage</b>	
<ul style="list-style-type: none"> <li>• Rated value</li> </ul>	5 ... 400 V

#### Auxiliary circuit:

<b>Number of NC contacts</b>	
<ul style="list-style-type: none"> <li>• for auxiliary contacts</li> </ul>	0
<b>Number of NO contacts</b>	
<ul style="list-style-type: none"> <li>• for auxiliary contacts</li> </ul>	2
<b>Number of CO contacts</b>	
<ul style="list-style-type: none"> <li>• for auxiliary contacts</li> </ul>	0
<b>Operating current at AC-12</b>	
<ul style="list-style-type: none"> <li>• at 24 V Rated value</li> </ul>	10 A
<ul style="list-style-type: none"> <li>• at 48 V Rated value</li> </ul>	10 A
<ul style="list-style-type: none"> <li>• at 110 V Rated value</li> </ul>	10 A
<ul style="list-style-type: none"> <li>• at 230 V Rated value</li> </ul>	10 A
<ul style="list-style-type: none"> <li>• at 400 V Rated value</li> </ul>	10 A
<b>Operating current at AC-15</b>	
<ul style="list-style-type: none"> <li>• at 230 V Rated value</li> </ul>	6 A
<ul style="list-style-type: none"> <li>• at 400 V Rated value</li> </ul>	3 A

#### Connections/ Terminals:

<b>Type of electrical connection</b>	screw-type terminals
--------------------------------------	----------------------

#### Ambient conditions:

<b>Ambient temperature</b>	
<ul style="list-style-type: none"> <li>• during operation</li> </ul>	-25 ... +70 °C
<ul style="list-style-type: none"> <li>• during storage</li> </ul>	-40 ... +80 °C

#### Installation/ mounting/ dimensions:

<b>Mounting type</b>	front mounting
<b>Shape of the installation opening</b>	round
<b>Mounting diameter</b>	22 mm

#### Accessories:

Product component holder for 3 switching elements

No

### Certificates/ approvals:

General Product Approval		Declaration of Conformity	Test Certificates	Shipping Approval
 CSA	 UL	 EAC	 EG-Konf.	<a href="#">Special Test Certificate</a>  ABS

Shipping Approval	other				
 DNV	 LRS	 PRS	 RINA	<a href="#">other</a>	<a href="#">Confirmation</a>

### other

[Environmental Confirmations](#)

### Further information

**Information- and Downloadcenter (Catalogs, Brochures,...)**

<http://www.siemens.com/industrial-controls/catalogs>

**Industry Mall (Online ordering system)**

<http://www.siemens.com/industrymall>

**Cax online generator**

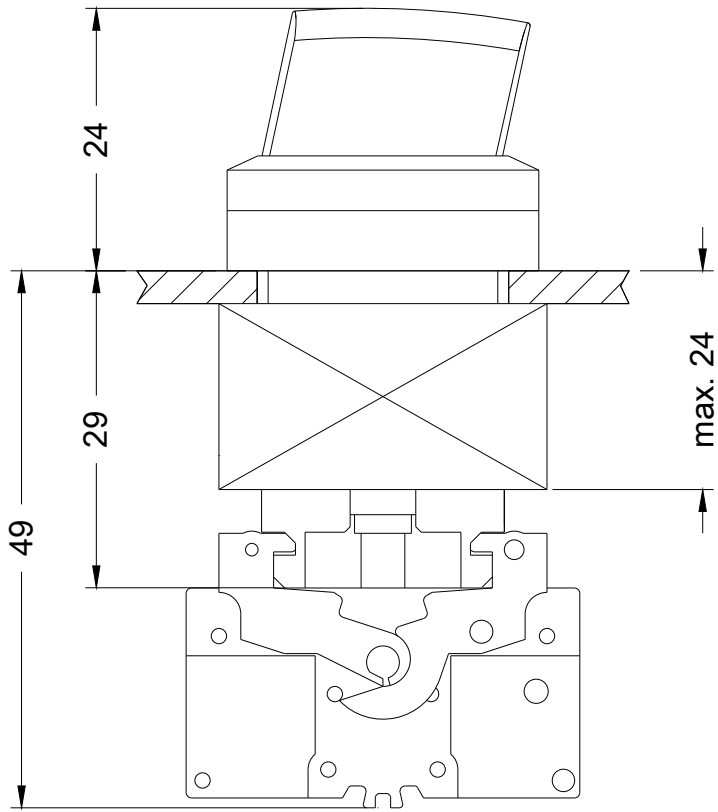
<http://support.automation.siemens.com/WW/CAXorder/default.aspx?lang=en&mfb=3SB32102EA11>

**Service&Support (Manuals, Certificates, Characteristics, FAQs,...)**

<https://support.industry.siemens.com/cs/ww/en/ps/3SB32102EA11>

**Image database (product images, 2D dimension drawings, 3D models, device circuit diagrams, EPLAN macros, ...)**

[http://www.automation.siemens.com/bilddb/cax\\_de.aspx?mfb=3SB32102EA11&lang=en](http://www.automation.siemens.com/bilddb/cax_de.aspx?mfb=3SB32102EA11&lang=en)



last modified:

28.04.2015