

Datasheet

RS PRO NYLON-INSULATED RING

TERMINALS

Stock number: 178-8639

MAXIMUM ELECTRIC CURRENT:

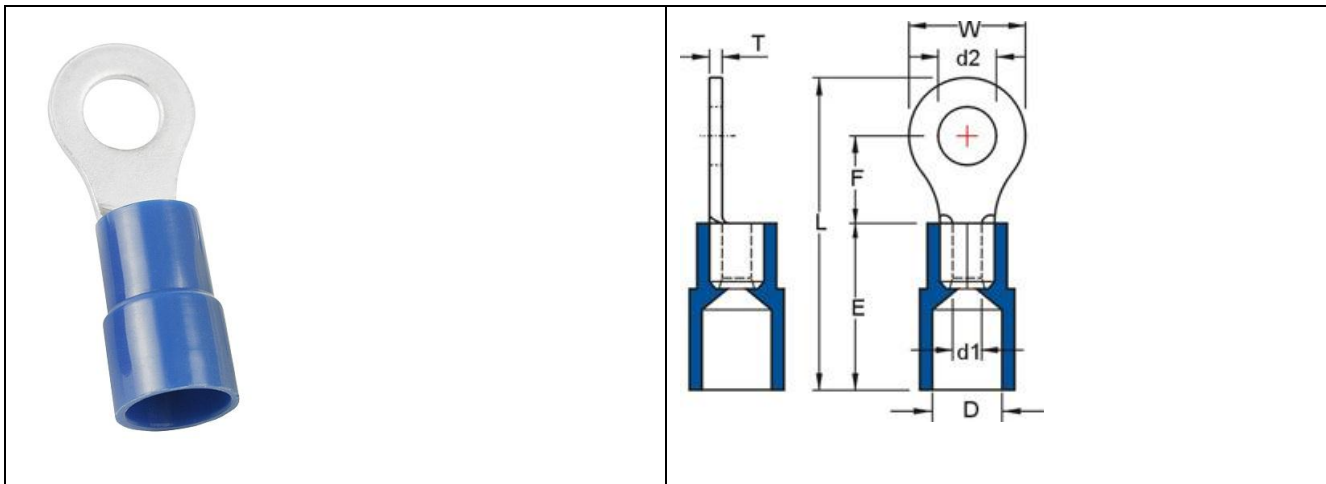
A.W.G.	16	14
AMP.	18	30

MAXIMUM ELECTRICAL RATING: 105° C 600 VOLTS MAX.

INSULATION MATERIAL: NYLON

TERMINAL MATERIAL: COPPER

INSULATION COLOR: BLUE



WIRE RANGE A.W.G. mm ²	ITEM NO.	STUD SIZE d2	DIMENSION inch(mm)							
			W	F	L	E	D	d1	T	
16-14 A.W.G.	178-8639	#10	0.209	0.355	0.307	0.898	0.433	0.177	0.091	0.031
1.5-2.5 mm ²			5.3	8.5	7.8	22.8	11	4.500	2.3	0.8