

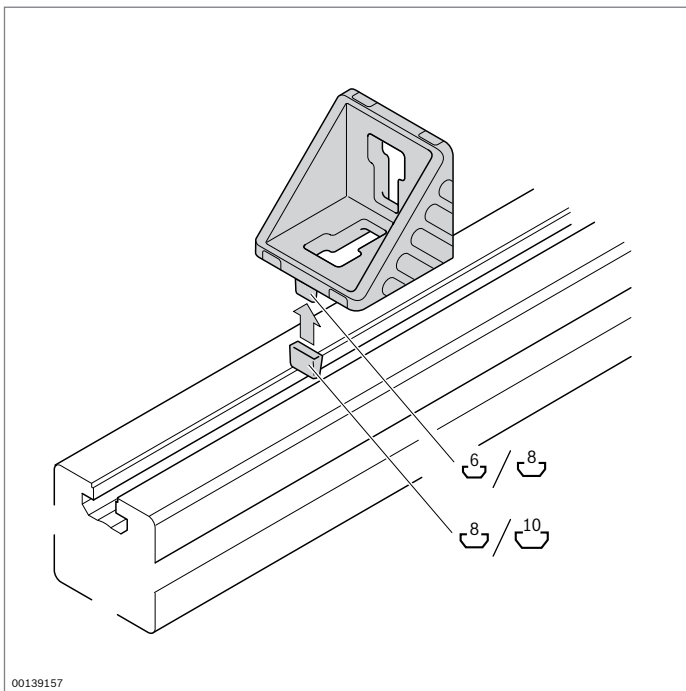
## Bracket

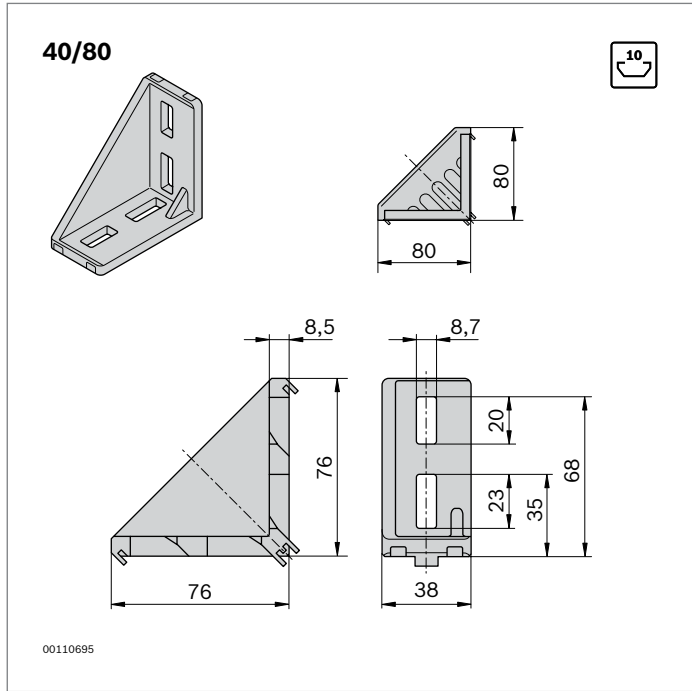





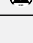

- ▶ Brackets with centering lugs for rapid, precise assembly with protection against turning
- ▶ Centering lugs can be easily broken off for assembly on plates or at right angles to the slot
- ▶ *designLINE* version with special silver paint (RAL 9006) for an attractive, high-quality design
- ▶ Intermediate element for positioning brackets in the next largest slot
- ▶ Offset sliding block for off-center positioning of the 45/45 bracket
- ▶ Cover cap to protect from dirt, available in signal gray (RAL 7004) and black ESD (RAL 9005)
- ▶ Profile finishing: not required

Technical data (p. 19-9)

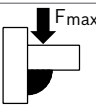
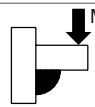
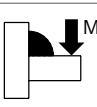
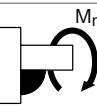
**Note:** The collar screws enable the brackets to be assembled really quickly and easily (p. 3-5)

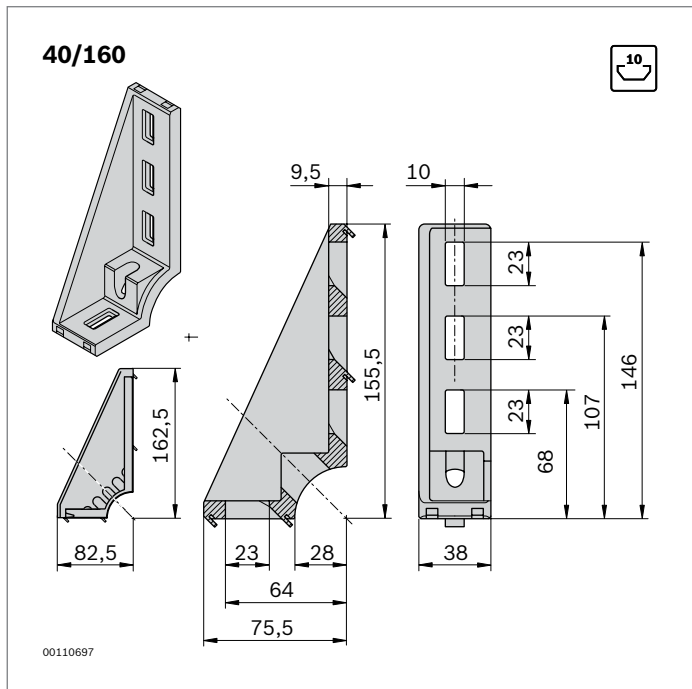
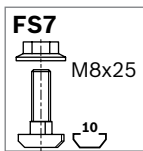




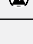



40/80	Slot	ESD		No.	FS
Set (standard)	10 / 10		1	<b>3 842 529 386</b>	4xFS7
<i>designLINE</i> set	10 / 10		1	<b>3 842 551 604</b>	4xFS7
Bracket (standard)	10		20	<b>3 842 529 005</b>	
Cover cap, signal gray			20	<b>3 842 548 856</b>	
Cover cap, black			20	<b>3 842 548 857</b>	

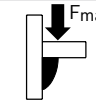
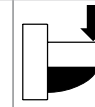
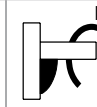
Material: Bracket: Diecast aluminum, vibratory ground  
*designLINE* bracket: painted (RAL 9006)  
 Cover cap: PP  
 Fastening material: steel; galvanized  
 Scope of delivery: set incl. fastening material (FS)

Type				
40/80	6000 N	180 Nm	400 Nm	60 Nm



40/160	Slot	ESD		No.	FS
<i>designLINE</i> set	10 / 10		1	<b>3 842 551 605</b>	2xFS7
Bracket (standard)	10		20	<b>3 842 529 006</b>	
Cover cap, signal gray			20	<b>3 842 548 858</b>	
Cover cap, black			20	<b>3 842 548 859</b>	

Material: Bracket: Diecast aluminum, vibratory ground  
*designLINE* bracket: painted (RAL 9006)  
 Cover cap: PP  
 Fastening material: steel; galvanized  
 Scope of delivery: set incl. fastening material (FS)

Type			
40/160	9000 N	250 Nm	60 Nm

