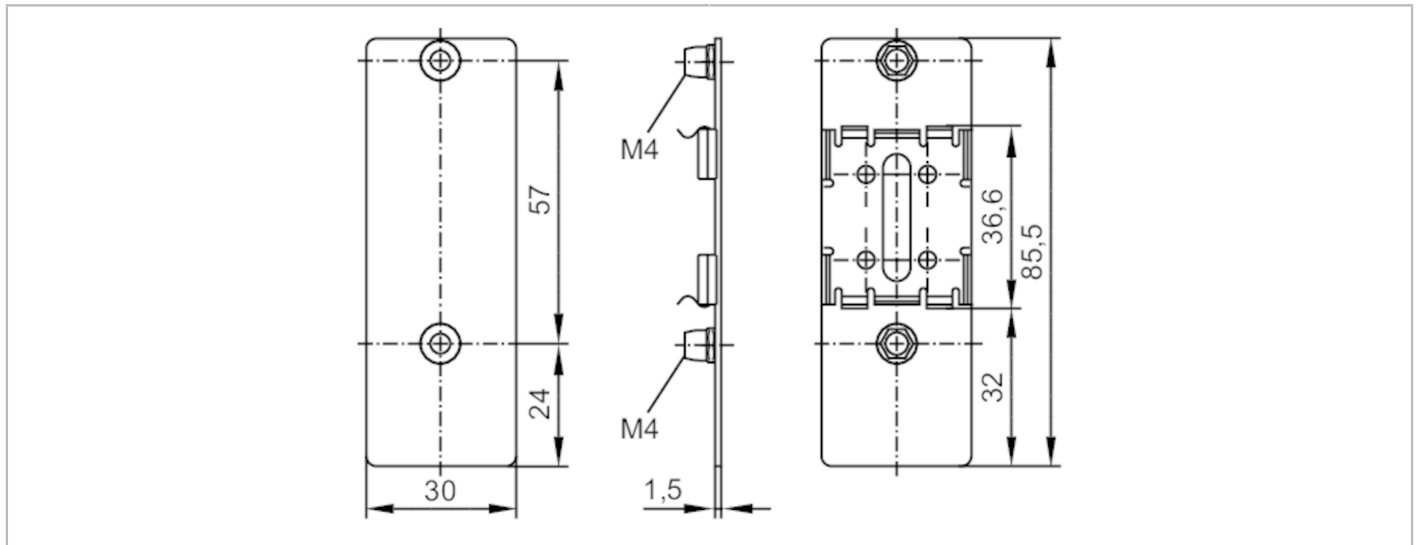


E73006



DIN rail adapter

mounting plate M8 short



Application	
Design	for Compact M8 modules
Mechanical data	
Weight [g]	43.6
Dimensions [mm]	88.5 x 1.5 x 30
Materials	Mounting plate: stainless steel (304/1.4301); DIN rail clip: stainless steel (301/1.4310); threaded bush: stainless steel (304CU/1.4567)
Accessories	
Accessories (optional)	washer
	Spring washer
	screw: 1 x M4 x 20
Remarks	
Pack quantity	1 pcs.