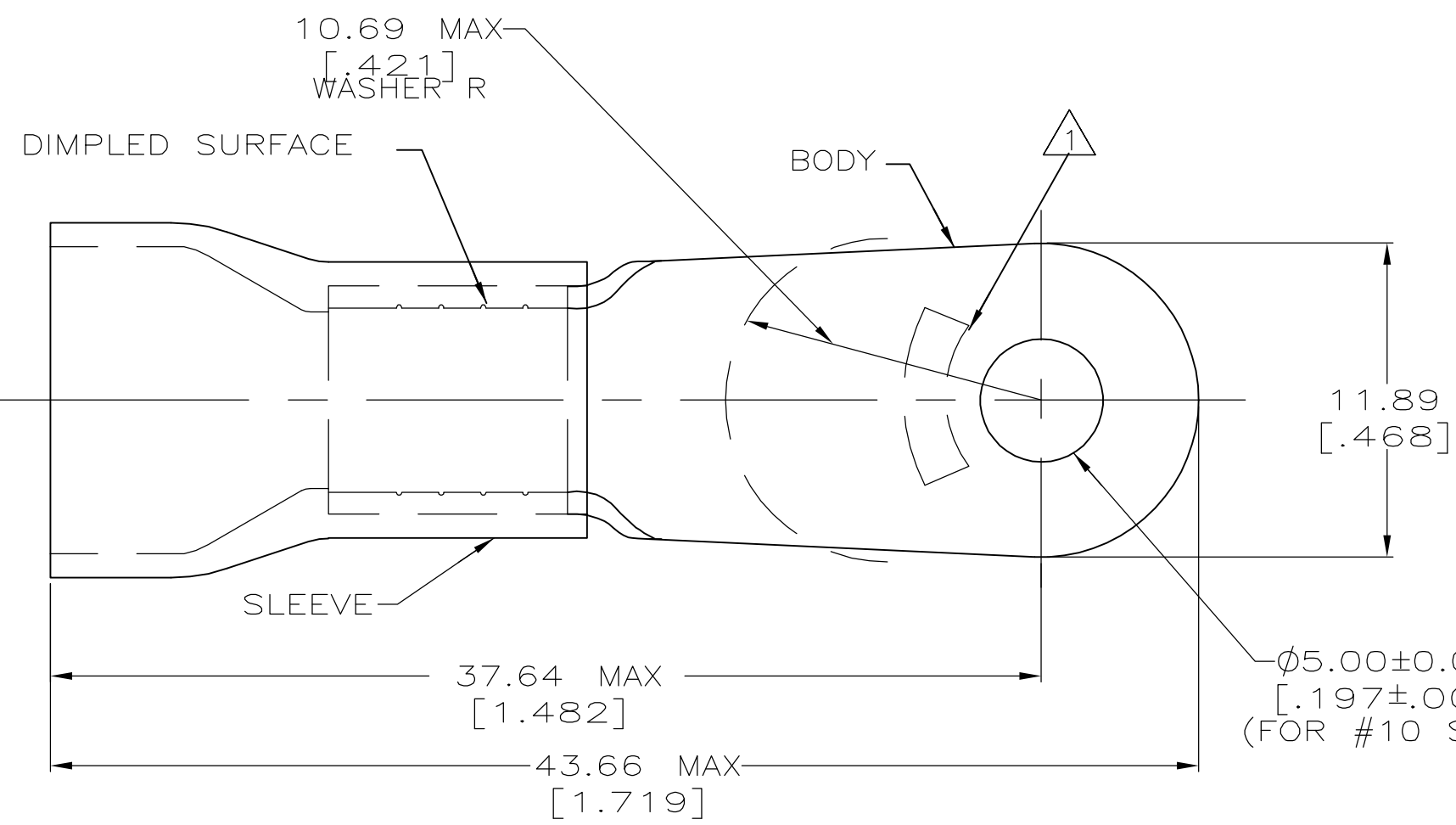


LOC	DIST	REVISIONS					
G	14	P	LTR	DESCRIPTION	DATE	DWN	APVD
		P1		REV PER ECR 06-001832	24APR06	JR	TM

AMP WIRE RANGE	FILE E13288	LR7189 Certified
6 AWG STRANDED	6 AWG STRANDED	6 AWG STRANDED



- ① STAMP AMP 6* LOCATE APPROX AS SHOWN
- 2. TONGUE MATERIAL THK 1.14±0.08 [.045±.003]
- 3. SEE TABLE FOR WIRE INSULATION DIA MAX
- ④ FOREIGN PRODUCTION ONLY
- 5. TAPE ITEMS ARE ON 30.48 [1.200] CENTERS
- ⑥ SUPERSEDED BY 8-52265-5

WIRE INSULATION DIA	QTY	PACKAGE TYPE	PART NO
11.07 [.436]	20	LOOSE PC, BOX SPL	8-52265-6/⑥
		LOOSE PC, BOX	8-52265-5
9.14 [.360]	500	ON TAPE	52265-4
11.07 [.436]			52265-3
9.14 [.360]	-	LOOSE PC	52265-1/④
11.07 [.436]	100		52265

AMP INCORPORATED CUSTOMER SERVICE SYSTEMS		MAX RECOMMENDED OPERATING TEMPERATURE: 90° C	THIS DRAWING IS A CONTROLLED DOCUMENT.		DWN S.S. GOULDEN 9-29-93	Tyco Electronics Corporation Harrisburg, PA 17105-3608		
FOR ADDITIONAL PRODUCT INFORMATION OR COPIES OF DRAWINGS AND TECHNICAL DOCUMENTS	PRODUCT INFORMATION CENTER 1-800-522-6752	VOLTAGE RATING: 600 V MAX	DIMENSIONS: MM [INCHES]	TOLERANCES UNLESS OTHERWISE SPECIFIED:	CHK R. HERSEY 9-29-93	NAME M ELLIS		
FOR APPLICATION TOOLING INFORMATION	TOOLING ASSISTANCE CENTER 1-800-722-1111	CIRCULAR MIL AREA: 10.54-16.77mm ² [20,800-33,100] STRANDED		0 PLC ± - 1 PLC ± - 2 PLC ± 0.20[.008] 3 PLC ± - 4 PLC ± - ANGLES ± -	APVD M ELLIS 9-29-93	PRODUCT SPEC NOT AVAILABLE		
FOR ORDER ENTRY	1-800-526-5142	THIS DRAWING IS A CONTROLLED DOCUMENT FOR AMP INCORPORATED. IT IS SUBJECT TO CHANGE AND THE CONTROLLING ENGINEERING ORGANIZATION SHOULD BE CONTACTED FOR THE LATEST REVISION.	MATERIAL COPPER PER ASTM B-152	FINISH TIN PLATE PER ASTM B545	APPLICATION SPEC NOT AVAILABLE	SIZE A3	CAGE CODE 00779	
					WEIGHT -	DRAWING NO C-52265	RESTRICTED TO -	
					CUSTOMER DRAWING	SCALE NTS	SHEET 1 OF 1	REV P1