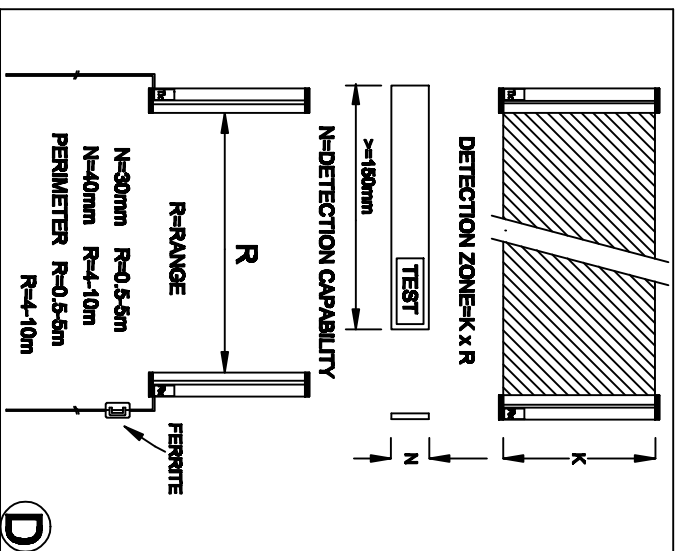
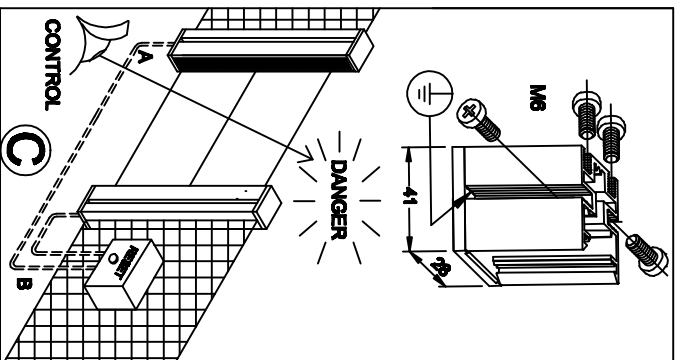
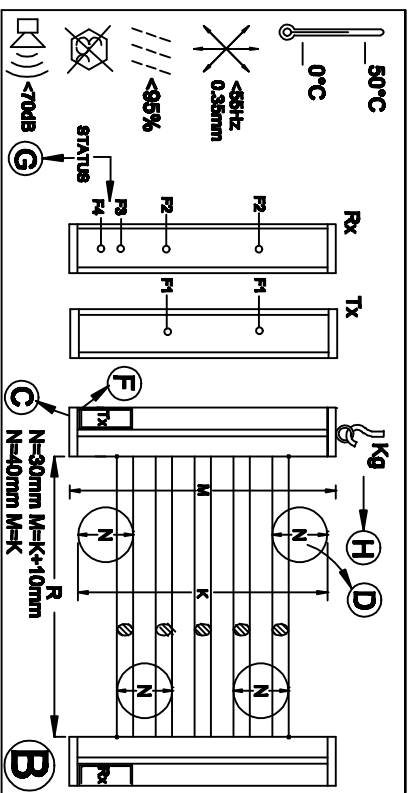
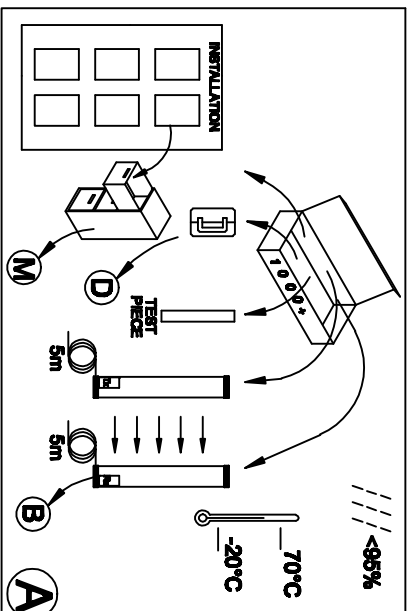


INSTALLATION

SMARTSCAN 1000+ SERIES
SAFETY LIGHT CURTAIN

CD205/231209



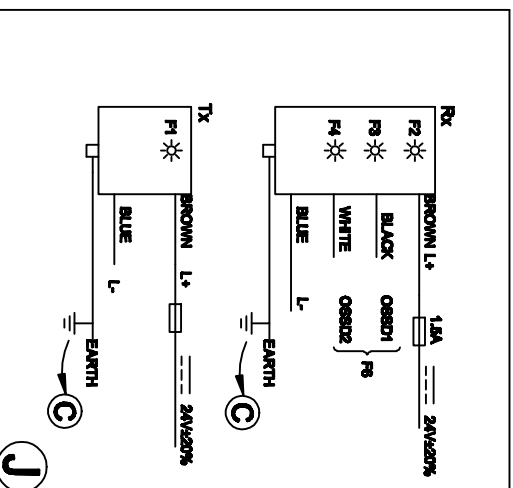
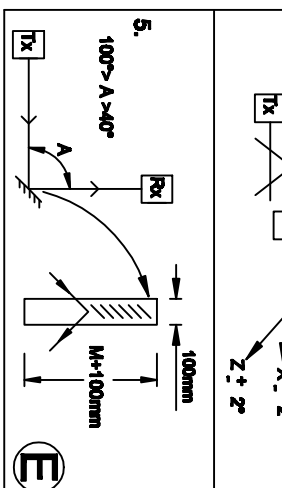
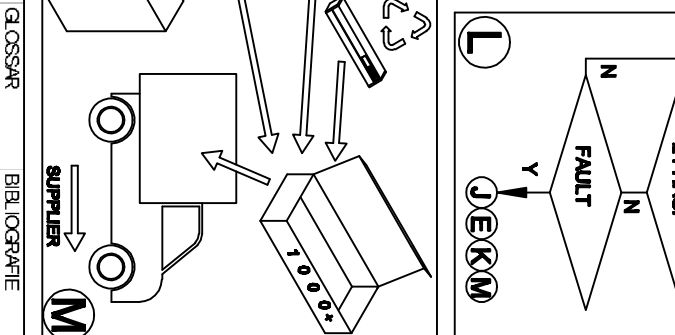
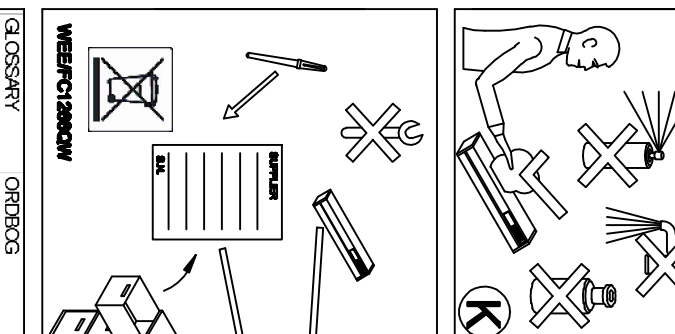
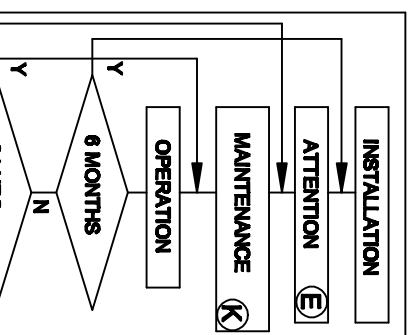
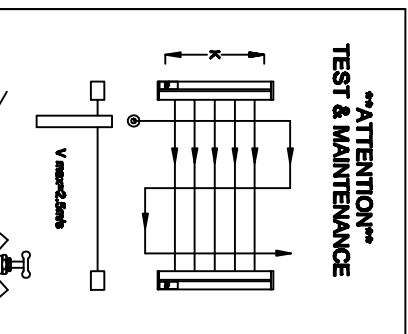
FEATURE ON	DIAGNOSTIC LEDS
F1 YELLOW INDICATOR (Tx)	NOT FLASHING - FAULT
F2 YELLOW INDICATOR (Rx)	UNEVEN FLASHING - FAULT
F3 GREEN INDICATOR (Rx)	FLASHING - OUTPUT FAULT
F4 RED L+	UNEVEN FLASHING - FAULT
F8	<math>< 800\text{mm}</math> (<math>< 20\text{m}</math>)

MODEL	N=30mm	K(mm)	Rg	kg	MODEL	N=40mm	K(mm)	Rg	kg
012-098	180	0.3	0.12-0.98	180	0.3	0.3	0.3	0.3	0.3
012-100	330	0.5	0.12-1.01	340	0.5	0.5	0.5	0.5	0.5
012-102	480	0.7	0.12-1.03	490	0.7	0.7	0.7	0.7	0.7
012-104	630	0.8	0.12-1.05	640	0.8	0.8	0.8	0.8	0.8
012-106	780	0.9	0.12-1.07	790	0.9	0.9	0.9	0.9	0.9
012-108	930	1.1	0.12-1.09	940	1.1	1.1	1.1	1.1	1.1
012-110	1080	1.3	0.12-1.11	1090	1.3	1.3	1.3	1.3	1.3
012-112	1230	1.5	0.12-1.13	1240	1.5	1.5	1.5	1.5	1.5
012-114	1380	1.7	0.12-1.15	1390	1.7	1.7	1.7	1.7	1.7
012-116	1530	1.9	0.12-1.17	1540	1.9	1.9	1.9	1.9	1.9
012-118	1680	2.1	0.12-1.19	1690	2.1	2.1	2.1	2.1	2.1
012-120	1830	2.3	0.12-1.21	1840	2.3	2.3	2.3	2.3	2.3

MODEL	BEAMS	M(mm)	RANGE	kg
012-125	2	640	0.5-5m	0.7
012-128	3	980	0.5-5m	0.9
012-127	4	1280	0.5-5m	1.2
012-122	2	640	4-10m	0.7
012-123	3	980	4-10m	0.9
012-124	4	1280	4-10m	1.2

MODEL	BEAMS	M(mm)	RANGE	kg
012-125	2	640	0.5-5m	0.7
012-128	3	980	0.5-5m	0.9
012-127	4	1280	0.5-5m	1.2
012-122	2	640	4-10m	0.7
012-123	3	980	4-10m	0.9
012-124	4	1280	4-10m	1.2

NOTE: PERIMETER GUARD HAS A BEAM UNIT AT THE BEAM LOCATION



INRATO
International
focus op veiligheid
Tel +31(0)85-27 36 750
Fax +31(0)85-27 36 760
Web www.inrato.com

CD205/231209



CD389Q/231209

EC Declaration of Conformity

Product Smartscan 1000 plus Light Curtain
Smartscan Limited, Pywell Road, Wiltonbrook Industrial Estate, Cully, Northamptonshire, NN17 5XJ

Declares that the safety component(s) described:
Serial Numbers: between 310 000 - 328 999 and 330 000 - 389 999
Fulfills the following safety function: Electro-sensitive protective equipment - Active Opto-electronic Protective Device safety light curtain

Conforms to the following Directives:
Machinery Directive 98/37EC, 2006/42/EC
Electromagnetic Compatibility Directive 2004/108/EC
Low Voltage Directive 2006/95/EC

Complies with the relevant requirements of the following Standards:
EN 954-1, IEC 61496-2 Category 3
IEC 62061 SIL 2
EN ISO 13849-1 PL d

Use the following standards:
ISO 12100-1, ISO 12100-2, EN 60204-1

Complies with the examples to which the EC type examination certificate below relates, and is in conformity with the protection requirements of Council Directive 2004/108/EC, as amended, on the approximation of the laws of the Member States relating to electromagnetic compatibility.
The component is of a type listed in Annex IV of the Machinery Directive. Examples have been submitted for type examination by the approved body identified below.

Safelert Limited Northfield Body Number 1874

Address Pywell Road, Cully, Northamptonshire NN17 5XJ

Certificate No. 529048088

Signed *[Signature]* Date 23.12.2009

Title Project Manager

GL OSSARY	ORDEBS	Deutsche	Dutch	Francis	Italiano	Español	ORDISTA
English	Dansk	Deutsche	Dutch	Francis	Italiano	Español	ORDISTA
attention	advarsel	attentione	atención	attenzione	attenzione	uppmærksamhet	uppmærksamhet
beams	stråle	lichtstralen	stralen	fasciaux	raggi	végs	stralar
black	sort	scharitz	zwart	noir	nero	negro	svart
blue	blå	blauw	blauw	bleu	blu	azul	blå
brown	brun	braun	brun	brun	marone	moreno	brun
control	kontrol	steuern	besturing	contrôle	controllo	kontrolan	kontroll
danger	fare	gefahr	gevaar	danger	pericolo	perigro	fará
detection capability	afdragnings mulighed	abdragningsfähigkeit	detección	capacité de détection	possibilità di rilevazione	capacidad de la detección	upptäckning
detection zone	beskyttelses zone	abdragningsförmåga	detección zone	Zone de détection	area de rilevamento	zona de detección	skyddsfält
diagnostic	fejlf	störung	fout	début	guasto	incidente	fel
fault	multiflader	eigenschaf	eigenschaf	dispositif	caratteristica	característica	egenskaper
feature	multiflader	eigenschaf	eigenschaf	dispositif	caratteristica	característica	egenskaper
flashing	grøn	grun	groen	vert	verde	verde	grøn
green	indikator	anzeige	indicator	indicateur	indicatore	indicador	indikering
indicator	installation	instalation	instalatie	installation	installazione	instalacion	installation
installation	lysteepe	lichtschranken	lichtscherm	barrière	barriera	barriera	barrier
light curtain	model	ty	model	modèle	modello	modelo	ljus barrier
model	months	månad	maanden	mois	mesi	meses	modell
months	not flashing	operation	operation	opération	funzionario	operacion	manader
not flashing	operation	red	rodes	rouge	rosso	rojo	operation
operation	red	rodes	rodes	rouge	rosso	rojo	rod
red	safety	sikkerhed	sicherheit	securité	sigurezza	seguridad	sikkerhet
safety	status	status	status	statut	stato	estado	status
status	supplier	leverandør	leverandør	fournisseur	forniture	surtilor	status
supplier	test piece	uneven flashing	uneven flashing	uneven flashing	uneven flashing	uneven flashing	leverantor
test piece	white	hvid	weiss	wit	bianco	blanca	leverantor
uneven flashing	white	hvid	weiss	wit	bianco	blanca	leverantor
white	yellow	gul	gelb	geel	giallo	amarillo	gul