

**8655MH0901BLF - D-  
subminiature : Straight Exit  
Metal Hood for 9 position  
connector - Economical series**



[www.fci.com](http://www.fci.com)

## Specifications

<b>General</b>	
Number of contacts (Total)	9 Position
Orientation	Straight Exit
Packaging	Bulk
Product Type	Hood
<b>Dimensional</b>	
Size (Shell)	E
<b>Electrical</b>	
EMI/RFI performance	Shielded
<b>Mounting</b>	
Attachment	Cable
<b>Physical</b>	
Material (Housing)	Metal
Material (Characteristics)	Zamack with Nickel Plating
Temperature (Operating - range)	-55°C to +125°C
<b>Other Features</b>	
Most Popular Configuration	Yes
Comments	High Performance Hood
Pack factor	80

SIZE	Part Num.	Threading	Headscrew	Packaging
25	8655MH2501BLF	UNC 4.40	Black	BULK (see note 1)
	8655MH2501BKLF	UNC 4.40	Black	KIT (see note 2)
	8655MH2502BLF	M3	Grey	BULK
	8655MH2502BKLF	M3	Grey	KIT

NOTES:

Material and finish: Zinc die-cast  
Nickel plated

Cable strain relief: Polycarbonate (UL94V-0)

Jackscrews:

- Headscrew : plastic, color according threading
- Body : metal, threading according tables

Temperature range: -40°C to 120°C  
Cable diameter: 4.0 to 12.0mm  
Attenuation factor: >40 dB between 30MHz and 1 GHz  
Marking FCI logo: Height 6 mm for all versions

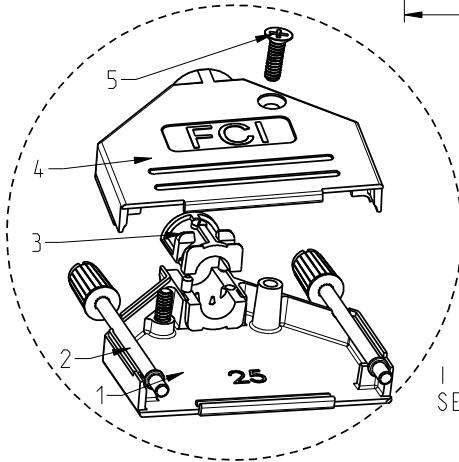
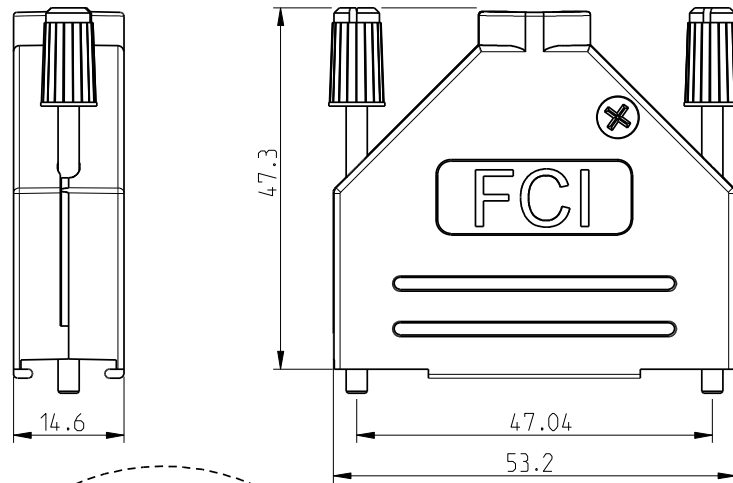
Covers screwing force (max): 100 Ncm  
Jackscrew screwing force (max): 75 Ncm

Packaging notes (see tables):

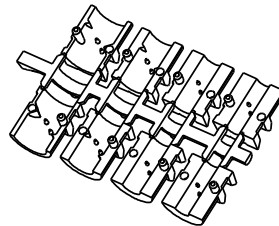
- 1 - Bulk : Every spare part packaged per 100 or 200 into plastic bag.5 plastic bags per carton box. 1 plastic bag per part.
- 2 - Kit : 1 set of spare parts necessary to realise 1 kit into a plastic bag. 100 plastic bags per carton box.

NOTE:RoHS INFORMATIONS

- The "LF" product meets European union Directives and other country regulations as described in GS-22-008.
- The product is not intended to be exposed to a manufacturing solder process.
- Packaging spec: see GS-14-920.



1 KIT  
SEE NOTE 2



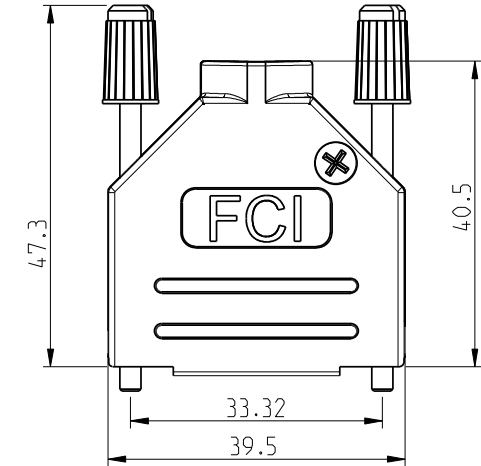
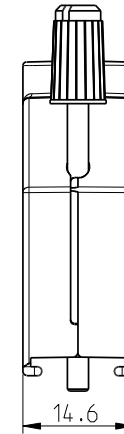
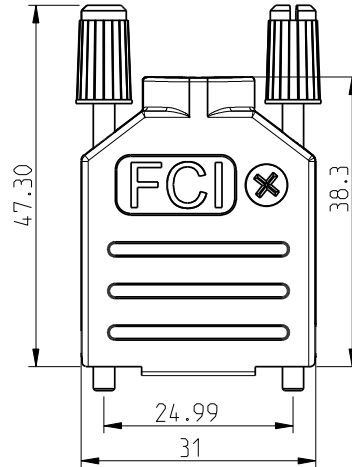
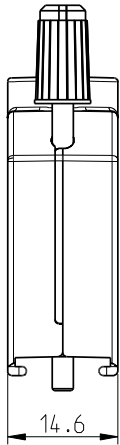
DESIGNATION	REP.	09	15	25	37
COVER BOTTOM	1			1	
JACKSCREW	2			2	
STRAIN RELIEF	3			2	
COVER TOP	4			1	
SCREW POZIDRIVE	5			2	

Rev	ecn no	dr	date
1	-	LGO	2008/01/31
2	-	LGO	2008/02/06
A	LS08-0054	LGO	2008/04/08
B	F09-0048	LSA	2009/05/20
C	F10-0093	APA	2010/08/31
D	F11-0073	APA	2011/07/20
-	-	-	-

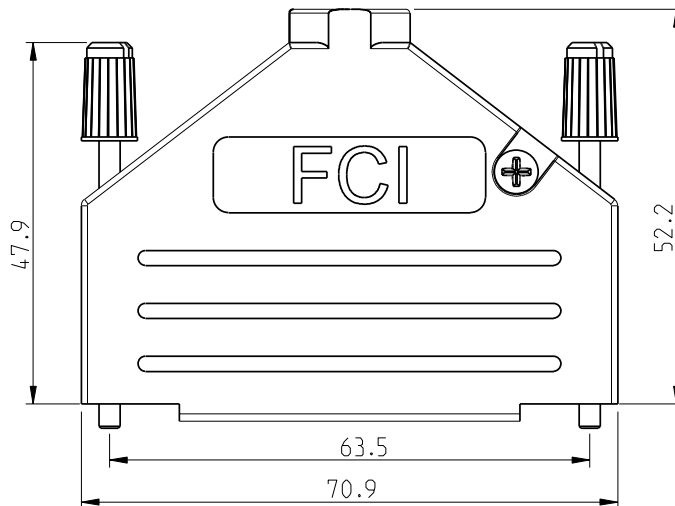
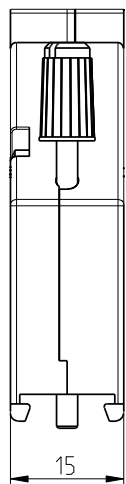
www.fciconnect.com		surface ISO 1302	tolerance std ISO 406 ISO 1101	projection mm	mm
		TOLERANCES UNLESS OTHERWISE SPECIFIED			
Dr	GOISNARD.L	2008/01/31	ANGULAR	0.X	±/
Eng	PESSON.M	2008/01/31	LINEAR	0.XX	±/
Chr	LEGARE.P	2008/01/31	0° ±/°	0.XXX	±/
Appr	LEGARE.P	2008/01/31	Product family	size	A3
				Scale	3:2
				ECN	F11-0073
				Spec ref	
FCI		D-SUB METAL HOODS		dwg no	10085962C
		STRAIGHT		Rev.	D
catalog no		CUSTOMER		sheet 1 of 3	

SIZE	Part Num.	Threading	Headscrew	Packaging
09	8655MH0901BLF	UNC 4.40	Black	BULK (see note 1)
	8655MH0901BKLF	UNC 4.40	Black	KIT (see note 2)
	8655MH0902BLF	M3	Grey	BULK
	8655MH0902BKLF	M3	Grey	KIT

SIZE	Part Num.	Threading	Headscrew	Packaging
15	8655MH1501BLF	UNC 4.40	Black	BULK (see note 1)
	8655MH1501BKLF	UNC 4.40	Black	KIT (see note 2)
	8655MH1502BLF	M3	Grey	BULK
	8655MH1502BKLF	M3	Grey	KIT



SIZE	Part Num.	Threading	Headscrew	Packaging
37	8655MH3701BLF	UNC 4.40	Black	BULK (see note 1)
	8655MH3701BKLF	UNC 4.40	Black	KIT (see note 2)
	8655MH3702BLF	M3	Grey	BULK
	8655MH3702BKLF	M3	Grey	KIT



www.fciconnect.com		surface ISO 1302	tolerance std ISO 406 ISO 1101	projection mm
		TOLERANCES UNLESS OTHERWISE SPECIFIED		
Dr	GOISNARD.L	2008/01/31	ANGULAR	size A3
Eng	PESSON.M	2008/01/31	LINEAR	Scale 3:2
Chr	LEGARE.P	2008/01/31	0° ±'	ECN F11-0073
Appr	LEGARE.P	2008/01/31	Product family D-Sub	Spec ref
		Title D-SUB METAL HOODS		Rev. D
		STRAIGHT		
		catalog no		10085962C
		CUSTOMER		sheet 2 of 3

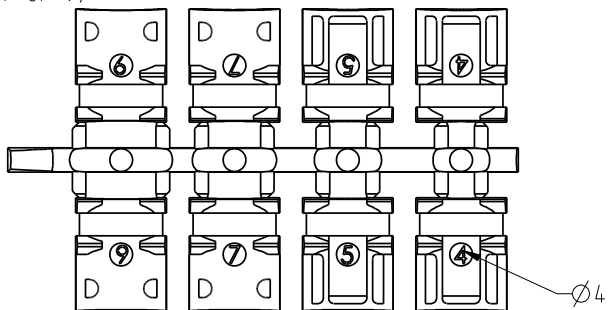


Copyright FCI.

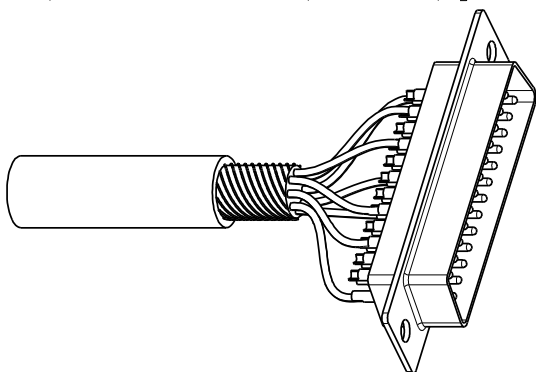
REV E - 2006-03-28

# CABLING INSTRUCTIONS FOR CABLE $\varnothing$ 4, 5, 7 or 9 mm

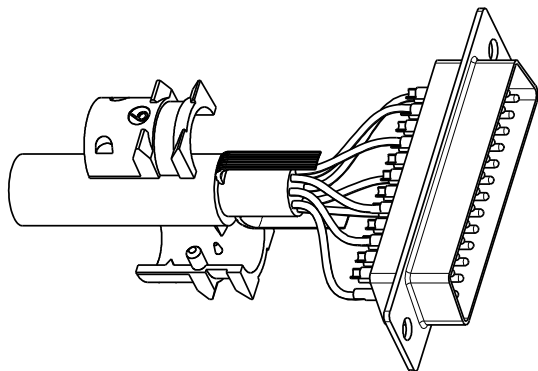
1- Use two halves of strain relief, different sizes can be mixed ( $\varnothing$ 4,5,7 or 9)



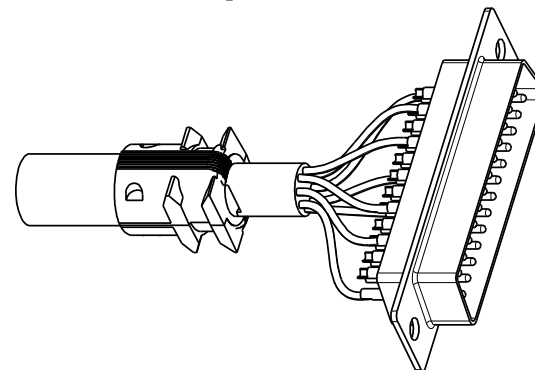
2- Strip cable 18mm and shape to two pigtails



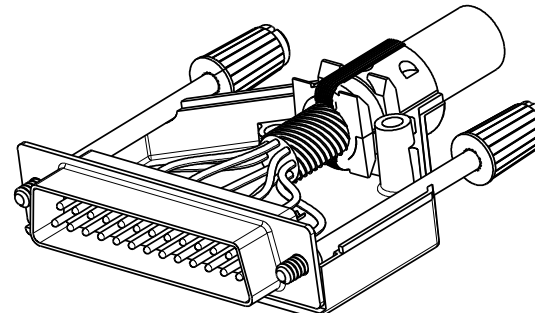
3- Attach the strain relief around the cable



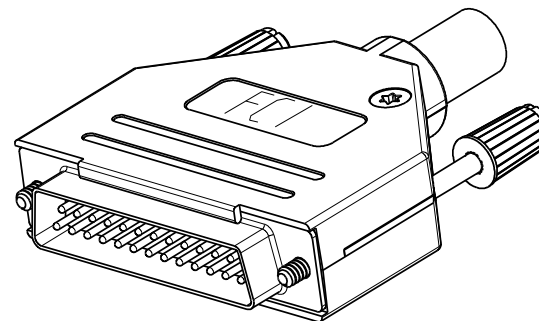
4- Bend cable shielding back on outside of strain relief



5- Mount connector and cable into the backshell



6- Assemble the other half screwing force: 100 Ncm



# CABLING INSTRUCTIONS FOR CABLE $\varnothing$ > 9 to 11 mm

1- Use one half of strain relief, ( $\varnothing$ 9).

Copyright FCJ

www.fciconnect.com			surface ISO 1302	tolerance std ISO 406 ISO 1101	projection mm	TOLERANCES UNLESS OTHERWISE SPECIFIED	
Dr	GOISNARD.L	2008/01/31	ANGULAR	0..x	±/	size	Scale
Eng	PESSON.M	2008/01/31	LINEAR	0..xx	±/	A3	3:2
Chr	LEGARE.P	2008/01/31	0° ±/°	0..xxx	±/	ECN	F11-0073
Appr	LEGARE.P	2008/01/31	Product family	D-Sub		Spec ref	
FCJ			Title		D-SUB METAL HOODS		dwg no
			STRAIGHT		10085962C		Rev.
			catalog no		CUSTOMER		sheet 3 of 3