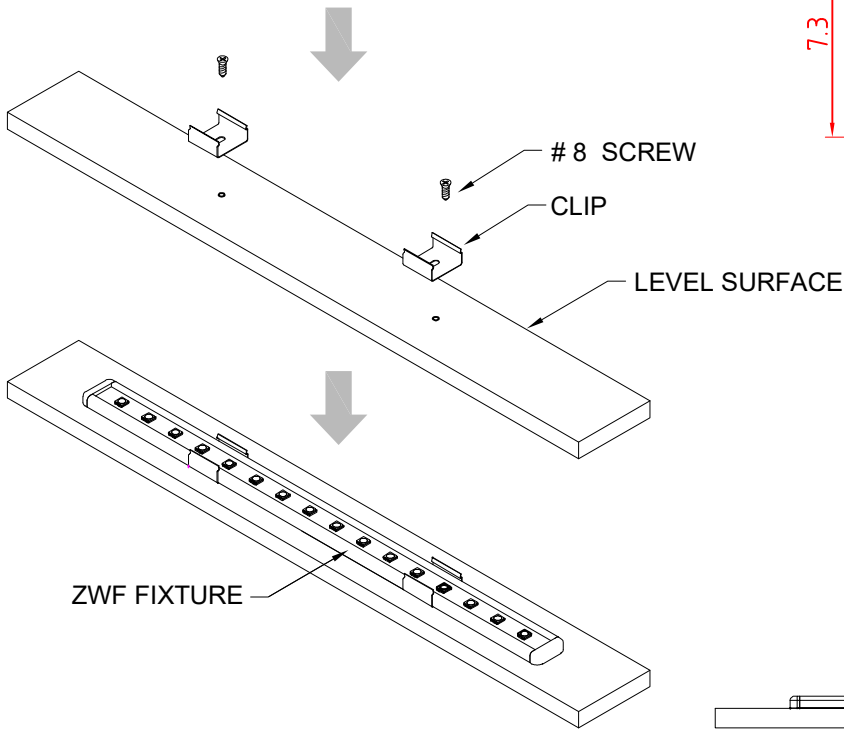
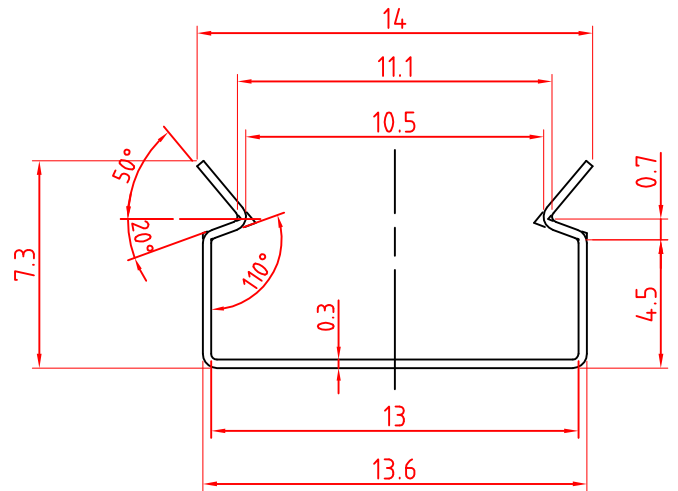
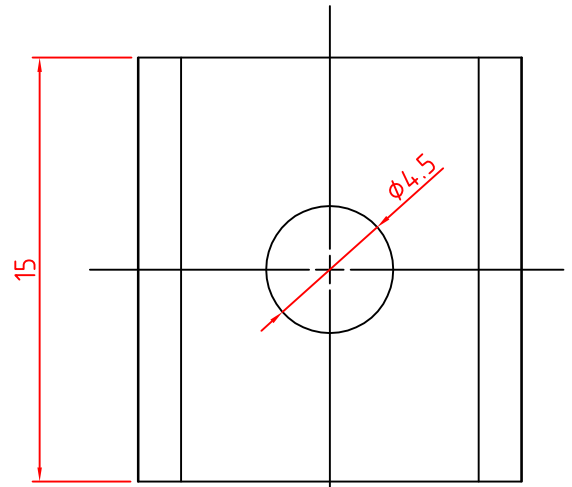
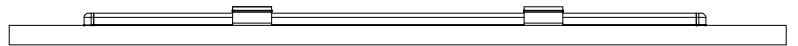


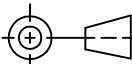
USED ON JKL ZWF ALUMILINE FIXTURES



NOTE:  
Used on JKL ALUMILINE SERIES  
FIXTURES ZWF, ZWB and ZWL



**JKL PART NO.: ZWF-12-C**

			<b>METRIC</b>  THIRD ANGLE PROJECTION		DIMENSIONS ARE IN MILLIMETERS TOLERANCE UNLESS OTHERWISE SPECIFIED 1 PL +/- REF. 2 PL +/- REF. ANGLE +/-		<b>JKL COMPONENTS CORPORATION</b>				
					TITLE		MOUNTING CLIP FOR ZWF ALUMILINE FIXTURE				
<b>A</b> ADD NOTE RELEASED			7/13/17	DRAWN BY L. WENGSTROM	APPV'D BY L.R.	DATE 7/13/17	SIZE <b>A</b>	FSCM NO. <b>55335</b>	DRAWING NO. <b>ZWF-12-C</b>		
REV. NO.	DESCRIPTION/ECO NUMBER	APPV'D DATE	- CAD DRAWING - MANUAL REVISIONS NOT PERMITTED			SCALE	RELEASED DATE	REVISION DATE	REV. NO.	SHEET	
						NONE	7/3/12	7/13/17	<b>A</b>	1 OF 1	