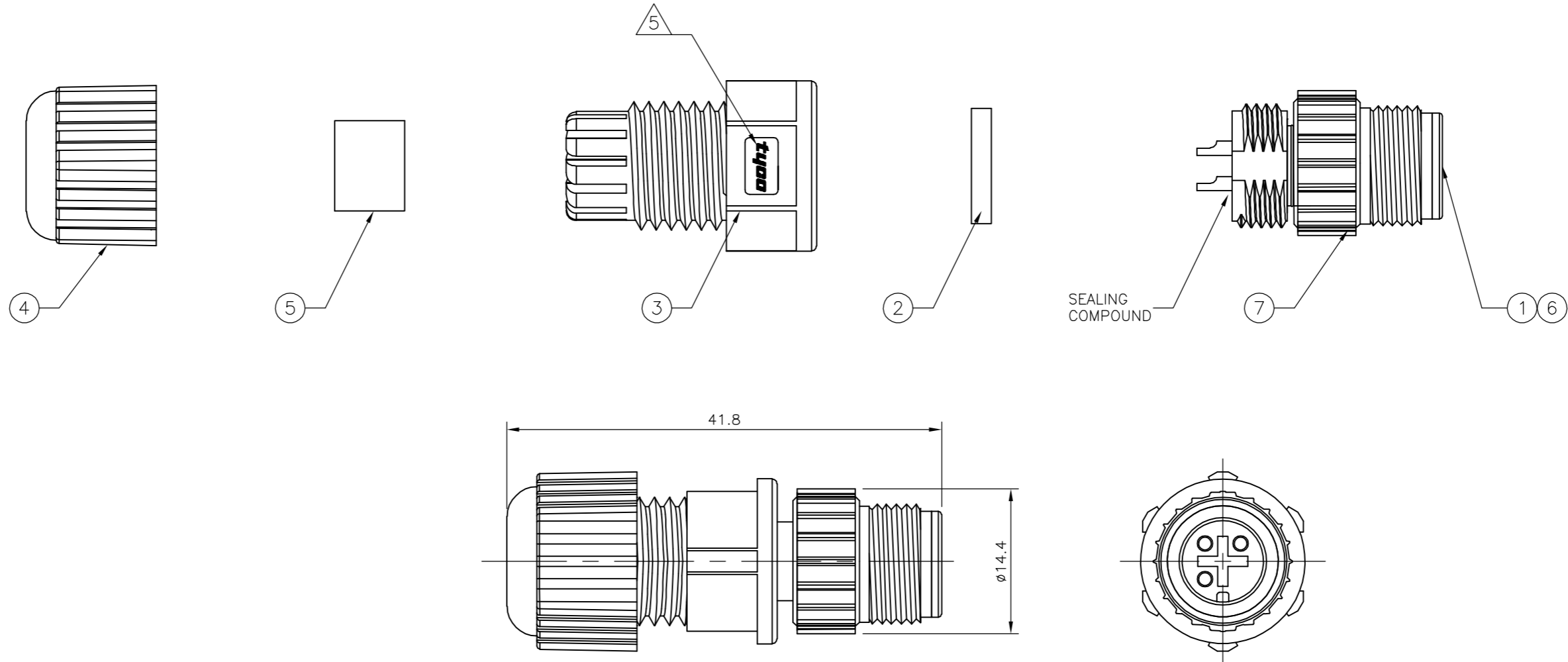


THIS DRAWING IS UNPUBLISHED. RELEASED FOR PUBLICATION 14MAR06, 2006.
 © COPYRIGHT 2006 BY TYCO ELECTRONICS CORPORATION. ALL RIGHTS RESERVED.

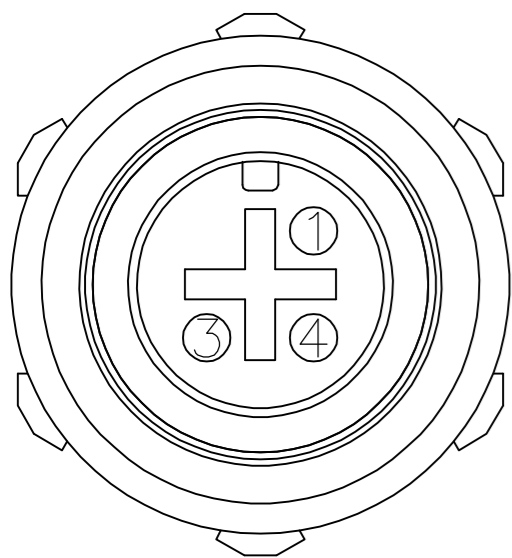
LOC	DIST	REVISIONS					
		P	LTR	DESCRIPTION	DATE	DWN	APVD
E	B			ECR-07-004803	26FEB07	AM	FWK

ITEM	DESCRIPTION	MATERIAL	FINISH/COLOUR	QUANTITY / ITEM		
				-1	-2	-3
1	CONNECTOR HOUSING	GF NYLON	BLACK	1	1	1
2	GASKET	SILICONE	BLACK	1	1	1
3	CONNECTOR BODY	GF NYLON	BLACK	1	1	1
4	SEALING NUT	GF NYLON	BLACK	1	1	1
5	SEAL	EPDM	BLACK	1	1	1
6	PIN CONTACT	BRASS	0.15µm GOLD OVER NICKEL	3	4	5
7	SCREW NUT	ZINC DIE CAST	2.5µm NICKEL PLATED	1	1	1

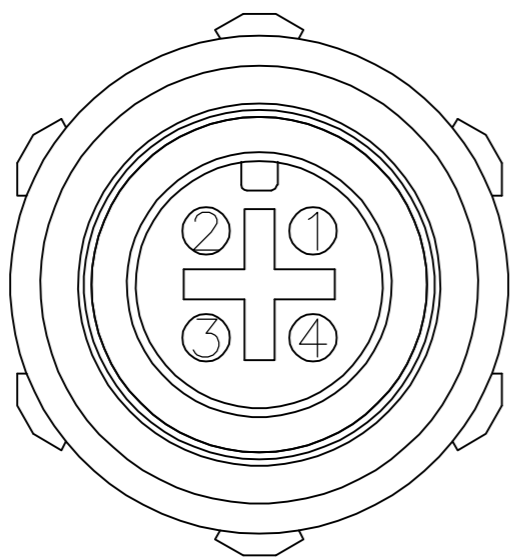
- NOTES:**
- ELECTRICAL DATA: CONTACT RESISTANCE: 10 mOhm MAX
 INSULATION RESISTANCE: 100 MOhm MIN at 500VDC
 CURRENT RATING: 5 AMPS (FOR 3, 4 AND 5 POSITIONS) AND 2 AMPS (FOR 8 POSITION ONLY)
 BREAKDOWN VOLTAGE: 500 VAC MIN PER MINUTE
 - ENVIRONMENTAL: OPERATING TEMPERATURE: -25°C TO +90°C
 SEALING REQUIREMENTS: IP67
 - PACKAGING: 107-3334
 - SEAL FOR CABLE OD: ø4.5mm - ø6.5mm
 - FOR TECHNICAL DATA REFER TO YOUR LOCAL TYCO ELECTRONICS SALES OFFICE.
 - ALL DIMENSIONS ARE FOR NOMINAL REFERENCE ONLY UNLESS OTHERWISE STATED.



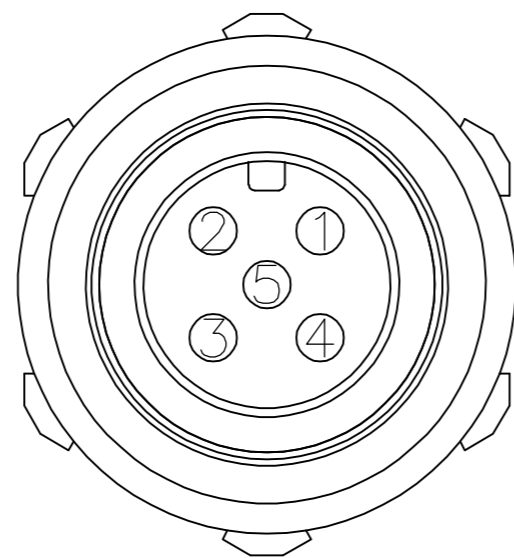
1838275-1
PIN ASSIGNMENTS
FRONT VIEW



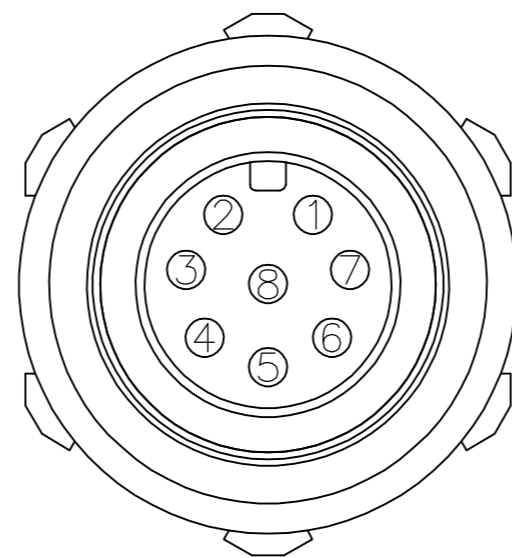
1838275-2
PIN ASSIGNMENTS
FRONT VIEW



1838275-3
PIN ASSIGNMENTS
FRONT VIEW



1838275-4
PIN ASSIGNMENTS
FRONT VIEW



M12 FIELD SERVICEABLE CONNECTOR, MALE PIN, SOLDER TYPE	8	1838275-3
M12 FIELD SERVICEABLE CONNECTOR, MALE PIN, SOLDER TYPE	5	1838275-3
M12 FIELD SERVICEABLE CONNECTOR, MALE PIN, SOLDER TYPE	4	1838275-2
M12 FIELD SERVICEABLE CONNECTOR, MALE PIN, SOLDER TYPE	3	1838275-1

THIS DRAWING IS A CONTROLLED DOCUMENT.		DWN	14MAR06	A. Morey	
DIMENSIONS: mm		CHK	12APR06	F. Wheeler-King	
TOLERANCES UNLESS OTHERWISE SPECIFIED		APVD	12APR06	F. Wheeler-King	
0 PLC ±		NAME			
1 PLC ±		M12 FIELD SERVICEABLE CONNECTOR, MALE PIN, SOLDER TYPE			
2 PLC ±		SIZE			
3 PLC ±		CAGE CODE			
4 PLC ±		DRAWING NO			
ANGLES ±		RESTRICTED TO			
FINISH		SCALE			
MATERIAL		SHEET			
		NO. OF POS			
		PART NUMBER			
		WEIGHT			
		CUSTOMER DRAWING			
		REV			