

AM3-EC

## Pre-drilled notched uprights

Application	Material and surface treatment	Height mm	Sold in lots of	Unit reference	Weight kg
Adjustable fixing centres between rows of equipment: - in 2.5 mm steps (by notches) - in 25 mm steps	2 mm sheet steel, treated with zinc chromate	1075	2	AM3-EC105	1.800
		1475	2	AM3-EC145	2.500
		1675	2	AM3-EC165	2.700
		1875	2	AM3-EC185	3.000

## Notched 1/4 turn sliding clip nuts (5)

Type	Sold in lots of	Unit reference	Weight kg
M6	10	AF1-CD6	0.053
M8	10	AF1-CD8	0.053
M10	10	AF1-CD10	0.053

## Associated screws (5)

Type	Sold in lots of	Unit reference	Weight kg
M6 x 12 (1)	100	AF1-VA612	0.005
M6 x 18 (1)	100	AF1-VA618	0.006
M8 x 20 (2)	10	AF1-VC820	0.024
M10 x 20 (5)	10	AF1-VC10	0.033

## Clip nuts (indexed) (5)

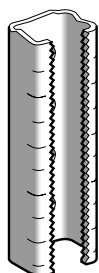
Type	Sold in lots of	Unit reference	Weight kg
M6	50	AA3-AA06	0.010
M8	50	AA3-AA08	0.010

## Associated screws (5)

Type	Sold in lots of	Unit reference	Weight kg
M6 x 12 (1)	100	AF1-VA612	0.005
M6 x 18 (1)	100	AF1-VA618	0.006
M8 x 20 (2)	10	AF1-VC820	0.024

## Notched uprights

Application	Material and surface treatment	Height mm	Sold in lots of	Unit reference	Weight kg
Adjustable fixing centres between rows of equipment in 2.5 mm steps	2 mm sheet steel, treated with zinc chromate	900	2	AM1-EC090	1.350
		1150	2	AM1-EC115	1.770
		2000	2	AM1-EC200	2.980



AM1-EC●●●

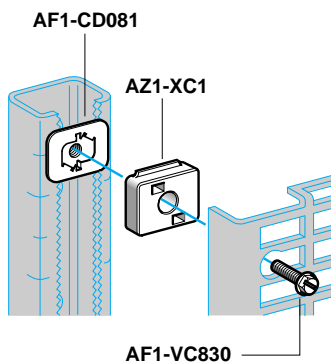
## Nuts, screws and accessories (for fixing mounting plates and rails on notched uprights)

## 1/4 turn clip nuts (6)

Type	Sold in lots of	Unit reference	Weight kg
M6	10	AF1-CD061	0.020
M8	10	AF1-CD081	0.020
M10	10	AF1-CD101	0.020

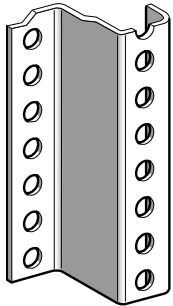
## Associated screws (5)

Type	Sold in lots of	Unit reference	Weight kg
M6 x 12 (1)	100	AF1-VA612	0.005
M6 x 18 (1)	100	AF1-VA618	0.006
M8 x 20 (2)	10	AF1-VC820	0.024
M8 x 30 (3)	10	AF1-VC830	0.025
M10 x 20 (5)	10	AF1-VC10	0.033

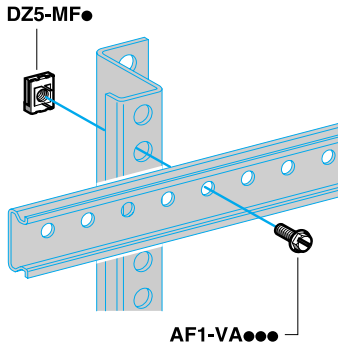


Description	Sold in lots of	Unit reference	Weight kg
Spacer for mounting plates (Ø 8 fixing) (5)	10	AZ1-XC1	0.013
Bracket for mounting rails at an angle (Ø 6 fixing) (5)	10	DZ5-MS10	0.020

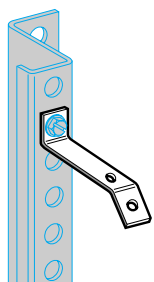
- (1) Fixing screw with captive washer and hexagon slotted head.
- (2) Fixing screw with hexagon head and contact washer.
- (3) Fixing screw with hexagon head and contact washer (for fixing mounting plate AM1-PA●●● on nut AF1-CD081 and spacer AZ1-XC1).
- (4) Cylindrical, hexagon socket head screw with lock washer.
- (5) Steel treated with zinc chromate.
- (6) Steel treated with zinc chromate, stainless steel nut cage.



DZ6-MZ●●●



AF1-VA●●●



DZ5-MS10

## Pre-drilled uprights (1)

Application	Material and surface treatment	Height mm	Sold in lots of	Unit reference	Weight kg
Adjustable fixing centres between rows of equipment: - in 20 mm steps by Ø 11 mm holes	2.5 mm sheet steel, treated with zinc chromate	1020	4	<b>DZ6-MZ121</b>	2.330
		1320	4	<b>DZ6-MZ151</b>	2.850
		1420	4	<b>DZ6-MZ161</b>	2.920
		1620	4	<b>DZ6-MZ181</b>	3.375
		1820	4	<b>DZ6-MZ200</b>	3.750
		1920	4	<b>DZ6-MZ211</b>	4.000

## Nuts, screws and accessories (for fixing mounting plates and rails on pre-drilled uprights)

Notched clamp nuts (5)				Associated screws (5)			
Type	Sold in lots of	Unit reference	Weight kg	Type	Sold in lots of	Unit reference	Weight kg
M6	100	<b>DZ5-MF6</b>	0.007	M6 x 12 (2)	100	<b>AF1-VA612</b>	0.005
				M6 x 18 (2)	100	<b>AF1-VA618</b>	0.006
M8	100	<b>DZ5-MF8</b>	0.008	M8 x 20 (3)	10	<b>AF1-VC820</b>	0.024
Description		For mounting on		Sold in lots of	Unit reference	Weight kg	
<b>Bracket for mounting rails and terminal blocks at an angle</b> (Ø 6 fixing) (5)		DZ6-MZ AM1-EC AM3-EC		10	<b>DZ5-MS10</b>	0.020	

(1) Uprights for building chassis for use in:

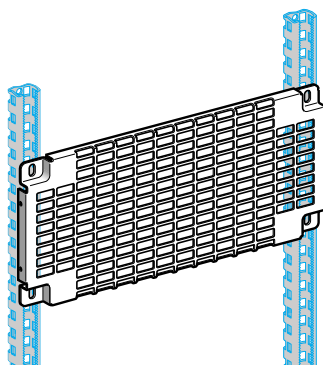
- metal enclosures type ACM : see pages 13095/2 and 13095/3,
- insulated dust and water tight enclosures type AC4 : see page 13100/3.
- insulated dust and water tight enclosures type ACP : see pages 13104/3 and 13104/5
- enclosures types AA3 and AA4 (see pages 13147/3 and 13151/3).

(2) Fixing screw with captive washer and hexagon slotted head.

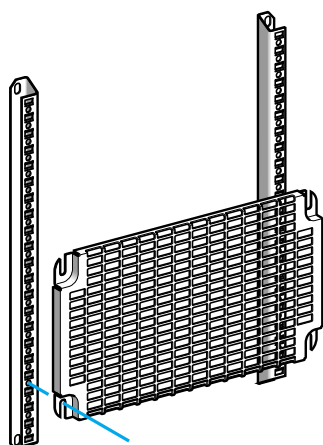
(3) Fixing screw with hexagon head and flat washer.

(4) Cylindrical hexagon socket head screw with lock washer.

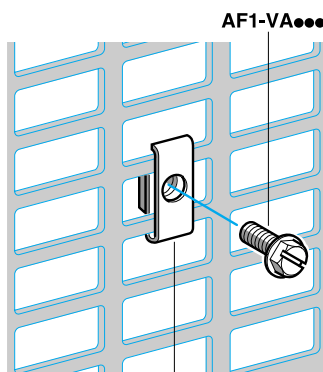
(5) Steel treated with zinc chromate.



AM3-PA●●●●●



AM3-PA36



AF1-EA●

## Telequick mounting plates type AM3-PA (suitable for vertical butt mounting) (1) (2)

Fixing centres		Overall dimensions		Total area dm <sup>2</sup>	Unit	Weight kg
Width mm	Height mm	Width mm	Height mm			
450	200	508	225	11.4	AM3-PA2045	0.950
	425	508	450	22.8	AM3-PA4045	2.600
	575	508	600	30.4	AM3-PA6045	2.400
	800	508	825	41.9	AM3-PA8045	3.400
650	200	708	225	15.9	AM3-PA2065	1.300
	425	708	450	31.8	AM3-PA4065	2.600
	575	708	600	42.4	AM3-PA6065	3.400
	800	708	825	58.4	AM3-PA8065	4.700
850	200	908	225	20.4	AM3-PA2085	1.600
	425	908	450	40.8	AM3-PA4085	3.300
	575	908	600	54.4	AM3-PA6085	4.400
	800	908	825	74.9	AM3-PA8085	6.000
1050	200	1108	225	24.9	AM3-PA20105	2.500
	425	1108	450	49.9	AM3-PA40105	4.000
	575	1108	600	66.5	AM3-PA60105	5.500
	800	1108	825	91.5	AM3-PA80105	7.100

## Telequick pre-slotted mounting plates (1) (2)

## For small size equipment

Fixing centres		Overall dimensions		Total area dm <sup>2</sup>	Unit	Weight kg
Height mm	Width mm	Height mm	Width mm			
225	125	255	154	3.92	AM3-PA32	0.340
	175	253	228	5.76	AM3-PA325	0.400
	525	255	551	14	AM3-PA36	1.200
	725	255	751	19.1	AM3-PA38	1.500
325	175	349	228	7.95	AM3-PA425	0.520
	225	349	251	8.75	AM3-PA43	0.730
	325	345	351	12.1	AM3-PA44	0.990
425	225	454	251	11.3	AM3-PA53	0.930
	325	450	351	15.7	AM3-PA54	1.300
525	325	555	351	19.4	AM3-PA64	1.550
	425	555	451	25	AM3-PA65	1.950
	525	555	551	30.5	AM3-PA66	2.400
625	425	645	451	29	AM3-PA75	2.300
	525	645	551	35.5	AM3-PA76	2.750
725	525	750	551	41.3	AM3-PA86	3.150
	725	750	751	56.3	AM3-PA88	4.000
825	625	855	651	55.6	AM3-PA97	3.900
925	725	945	751	70.9	AM3-PA108	5.000
1125	725	1145	751	85.9	AM3-PA128	6.250

## Equipment fixing accessories

## Sliding clip nuts (2)

Type	Sold in lots of	Unit reference	Weight kg
M3	100	AF1-EA3	0.005
M4	100	AF1-EA4	0.005
M5	100	AF1-EA5	0.008
M6	100	AF1-EA6	0.008

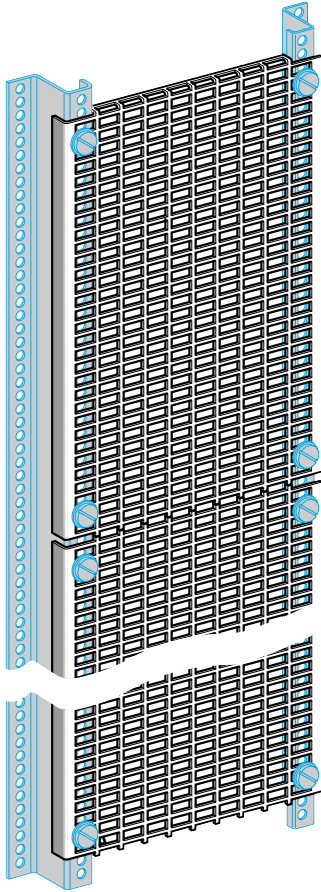
## Associated screws (2)

Type	Sold in lots of	Unit reference	Weight kg
M4 x 10 (3)	100	AF1-VA410	0.002
M4 x 16 (3)	100	AF1-VA416	0.002
M5 x 12 (3)	100	AF1-VA512	0.003
M5 x 18 (3)	100	AF1-VA518	0.004
M6 x 12 (3)	100	AF1-VA612	0.005
M6 x 18 (3)	100	AF1-VA618	0.006

(1) 2 mm sheet steel. Suitable for vertical butt mounting, to provide maximum usable area over the whole height of the chassis. For fitting in enclosures AA2 (see pages 13151/4 and 13151/5) and AA3 (see pages 13147/5 to 13148/2).

(2) Steel treated with zinc chromate.

(3) Fixing screw with captive washer and hexagon slotted head.



AM1-PA●●●

## Telequick mounting plates type AM1-PA (suitable for vertical butt mounting) (1)

These mounting plates, made of 2 mm sheet steel treated with zinc chromate, are suitable for vertical butt mounting to provide a maximum usable area over the whole height of the chassis.

Fixing centres		Overall dimensions		Total total dm <sup>2</sup>	Reference	Weight kg
Width mm	Height mm	Width mm	Height mm			
400	60	434	120	5.2	AM1-PA0640 (3)	0.410
	120	434	180	7.8	AM1-PA1240 (3)	0.590
	300	434	360	15.5	AM1-PA3040	1.100
	600	434	660	28.5	AM1-PA6040	1.960
	900	434	960	41.5	AM1-PA9040	2.810
500	60	534	120	6.3	AM1-PA0650	0.510
	120	534	180	9.5	AM1-PA1250	0.720
	300	534	360	19.1	AM1-PA3050	1.360
	600	534	660	35.1	AM1-PA6050	2.410
	900	534	960	51.5	AM1-PA9050	3.470
600	60	634	120	7.6	AM1-PA0660 (3)	0.610
	120	634	180	11.4	AM1-PA1260 (3)	0.860
	300	634	360	22.7	AM1-PA3060	1.610
	600	634	660	41.7	AM1-PA6060	2.870
	900	634	960	60.7	AM1-PA9060	4.130
700	60	734	120	8.7	AM1-PA0670 (3)	0.660
	120	734	180	13.1	AM1-PA1270	0.940
	300	734	360	26.3	AM1-PA3070	1.760
	600	734	660	48.3	AM1-PA6070	3.130
	900	734	960	70.3	AM1-PA9070	4.490

## Telequick pre-slotted mounting plates (1)

## For small size equipment

Fixing centres		Overall dimensions		Total total dm <sup>2</sup>	Reference	Weight kg
Height mm	Width mm	Height mm	Width mm			
195	150	244	228	5.5	AM1-PA2015 (3)	0.450
300	150	349	228	7.9	AM1-PA3015 (3)	0.620
	195	349	258	9	AM1-PA3020	0.700
405	200	465	234	10.7	AM1-PA4020	0.890
	300	465	334	15	AM1-PA4030	1.220
495	300	555	334	18	AM1-PA5030	1.440
	400	555	434	24	AM1-PA5040	1.660
600	400	660	434	28	AM1-PA6040	1.960
	500	660	534	35	AM1-PA6050	2.410
705	500	765	534	40	AM1-PA7050	2.780
795	600	855	634	54	AM1-PA8060	3.690
900	700	960	734	70	AM1-PA9070	4.490

## Telequick heavy duty mounting plates (equipment fixing accessories - see page opposite)

900	700	955	724	69	AM1-PS9070	4.620
1095	700	1150	724	83	AM1-PS11070	5.640

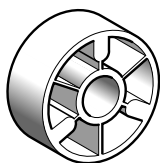
## Spacer (thickness: 10 mm) (2)

Application	Sold in lots of	Unit reference	Weight kg
For fixing mounting plate AM1-PA	4	AZ1-CA04	0.013

(1) Telequick pre-slotted mounting plates (supplied with 4 clamping washers) for mounting:  
 - in insulated dust and water tight enclosures type ACP : see page 13102/5 or type AC4 : see page 13100/3  
 - in enclosures type AA4 : see pages 13300/4 to 13300/7.

(2) Steel treated with zinc chromate.

(3) Sold in lots of 10.



AZ1-CA04

## For clip-on mounting or screw fixing of equipment

Width mm	Material and surface treatment mm	Depth mm	Fixing centres min. max. mm mm		Len- gth mm	Sold in lots of	Unit reference	Weight kg
<b>Combination rails</b>								
35	1.5 mm steel, zinc chromate	15	200	225	250	10	AM1-ED021	0.210
			300	325	350	10	AM1-ED031	0.310
			400	425	450	10	AM1-ED041	0.390
			500	525	550	10	AM1-ED051	0.480
			450	550	590	10	AM1-ED055	0.660
			600	625	650	10	AM1-ED061	0.580
			650	750	790	10	AM1-ED075	0.870
			700	725	750	10	AM1-ED071	0.670
			850	950	990	10	AM1-ED095	1.100
			1050	1150	1190	10	AM1-ED115	1.320
			(1)	(1)	2000	10	AM1-ED201	2.200
	1 mm steel, zinc chromate	15	-	-	2000	10	AM1-ED200	1.310

## Clip-on mounting - Omega rails

35	1 mm steel, zinc chromate	7.5	-	-	2000	10	AM1-DP200	0.650
	EN 50022 & NF C 63-015 (prdrilled)		galvanized	7.5			-	-
35	1.5 mm steel zinc chromate	15	-	-	2000	10	AM1-DE200	0.900
35	1.8 mm aluminium 16	-	-	-	2000	10	AM1-EA200	0.860
75	3 mm steel zinc chromate	25	-	-	2000	4	AM1-DL200	5.200
75	2 mm steel zinc chromate	15	-	-	2000	6	AM1-DL201	3.000

## Screw fixing

## Asymmetrical rail

32	1,5 mm steel zinc chromate	15	-	-	2000	10	DZ5-MB201	1.500
	EN 50035 & NF C63-018							

## Notched rails used to support equipment

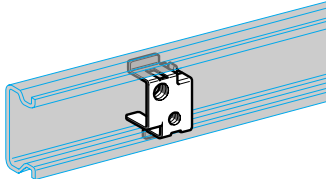
40	2 mm steel, zinc chromate	25	-	-	2000	4	AM1-EC200	2.980
----	------------------------------	----	---	---	------	---	-----------	-------

(1) No set fixing centres (drill to suit)

## Other version

Tool for cutting combination rails.  
Please consult your Regional Sales Office.

## On combination rails AM1-ED



AF1-CF●●

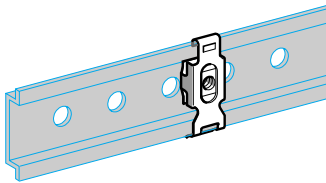
## 1/4 turn sliding clip nuts (1)

Type	Sold in lots of	Unit reference	Weight kg
M3 & M4	100	AF1-CF34	0.010
M5 & M6	100	AF1-CF56	0.010

## Associated screws (1)

Type	Sold in lots of	Unit reference	Weight kg
M4 x 10 (2)	100	AF1-VA410	0.002
M4 x 16 (2)	100	AF1-VA416	0.002
M5 x 12 (2)	100	AF1-VA512	0.003
M5 x 18 (2)	100	AF1-VA518	0.004
M6 x 12 (2)	100	AF1-VA612	0.005
M6 x 18 (2)	100	AF1-VA618	0.006

## On Omega rails AM1-DE or DP or on combination rails AM1-ED



AF1-CG●●

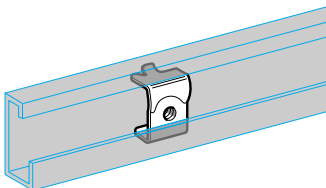
## Clip nuts for use on outside of rails

Type	Sold in lots of	Unit reference	Weight kg
M4	100	AF1-CG4	0.007
M5	100	AF1-CG5	0.007
M6	100	AF1-CG6	0.007

## Associated screws (1)

Type	Sold in lots of	Unit reference	Weight kg
M4 x 10 (2)	100	AF1-VA410	0.002
M4 x 16 (2)	100	AF1-VA416	0.002
M5 x 12 (2)	100	AF1-VA512	0.003
M5 x 18 (2)	100	AF1-VA518	0.004
M6 x 12 (2)	100	AF1-VA612	0.005
M6 x 18 (2)	100	AF1-VA618	0.006

## On asymmetrical rails DZ5-MB



DZ5-ME●

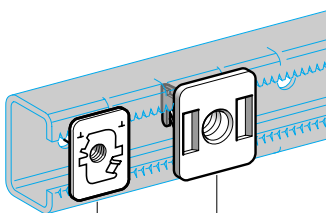
## 1/4 turn sliding clip nuts (1)

Type	Sold in lots of	Unit reference	Weight kg
M4	100	DZ5-ME8	0.009
M5	100	DZ5-ME9	0.009
M6	100	DZ5-ME5	0.009

## Associated screws (1)

Type	Sold in lots of	Unit reference	Weight kg
M4 x 10 (2)	100	AF1-VA410	0.002
M4 x 16 (2)	100	AF1-VA416	0.002
M5 x 12 (2)	100	AF1-VA512	0.003
M5 x 18 (2)	100	AF1-VA518	0.004
M6 x 12 (2)	100	AF1-VA612	0.005
M6 x 18 (2)	100	AF1-VA618	0.006

## On notched rails AM1-EC



AF1-CD061

AF1-CD6

## 1/4 turn sliding clip nuts (6)

Type	Sold in lots of	Unit reference	Weight kg
M6	10	AF1-CD061	0.020
M8	10	AF1-CD081	0.020
M10	10	AF1-CD101	0.020

## Associated screws (1)

Type	Sold in lots of	Unit reference	Weight kg
M6 x 12 (2)	100	AF1-VA612	0.005
M6 x 18 (2)	100	AF1-VA618	0.006
M8 x 20 (3)	10	AF1-VC820	0.024
M10 x 20 (4)	10	AF1-VC10	0.033

## 1/4 turn notched sliding clip nuts (1)

Type	Sold in lots of	Unit reference	Weight kg
M6	10	AF1-CD6	0.053
M8	10	AF1-CD8	0.053
M10	10	AF1-CD10	0.053

## Associated screws (1)

Type	Sold in lots of	Unit reference	Weight kg
M6 x 12 (2)	100	AF1-VA612	0.005
M6 x 18 (2)	100	AF1-VA618	0.006
M8 x 20 (3)	10	AF1-VC820	0.024
M10 x 20 (4)	10	AF1-VC10	0.003

## Sliding clip nuts, clipping on from front (1)

Type	Sold in lots of	Unit reference	Weight kg
M5	10	AF1-CH5	0.006

## Associated screws (1)

Type	Sold in lots of	Unit reference	Weight kg
M5 x 12 (2)	100	AF1-VA512	0.003
M5 x 18 (2)	100	AF1-VA518	0.004

## Self-piercing hexagonal screw with flange

## Self-tapping screw (Taptite TCBL Pozidrive)

(1) Steel treated with zinc chromate.

(2) Screw with captive washer and hexagon slotted head.

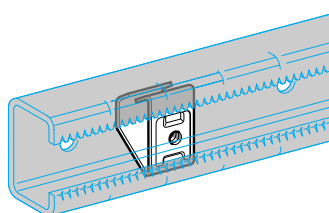
(3) Screw with hexagon head with contact washer

M4.8 x 16 100 AF1-VT516 0.003

M6 x 10 100 TA1-ZL02 0.003

(4) Cylindrical, hexagon socket head screw with lock washer.

(5) Steel treated with zinc chromate, stainless steel nut cage.

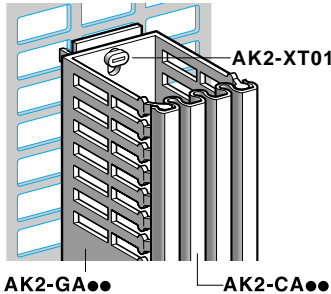


AF1-CH5

## Slotted cable ducting. Colour : blue RAL 5000

Rigid PVC with opening side slots and perforations in base, conforming to NF C 68-102.

Length : 2 m. (3)



Fixing	Width mm	Height mm	Capacity (1) No. of 1.5 mm <sup>2</sup> wires	Sold in lots of	Unit reference	Weight kg
Clip-on or screw fixing on mounting plate or 35 mm "omega" or "combination" rail	30	35	60	8	<b>AK2-GA33</b>	0.500
		55	110	8	<b>AK2-GA35</b>	0.800
		90	200	8	<b>AK2-GA39</b>	1.120
	60	55	230	8	<b>AK2-GA65</b>	0.900
		90	400	8	<b>AK2-GA69</b>	1.200
	120	80	700	8	<b>AK2-GC128</b>	1.410
On one DZ6-MZ upright	30	144	340	8	<b>AK2-GA315</b>	1.600
Between two DZ6-MZ uprights	60	144	550	8	<b>AK2-GA615</b>	1.700

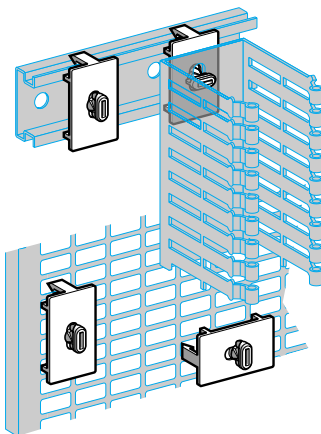
## Ducting covers. Colour : blue RAL 5000 (rigid PVC, length 2 m) (3)

For use with		Sold in lots of	Unit reference	Weight kg
Cable ducting	AK2-GA33, GA35, GA39, GA315	8	<b>AK2-CA3</b>	0.200
	AK2-GA65, GA69, GA615	8	<b>AK2-CA6</b>	0.430
	AK2-GC128	8	<b>AK2-CC12</b>	0.610

## Clip mounts for ducting (black Polyamide) (2)

Clip-on fixing	For use with slotted cable ducting	Sold in lots of	Unit reference	Weight kg
On pre-slotted mounting plate or on 35 mm "omega" or "combination" rail	AK2-GA (blue RAL 5000) or	20	<b>AK2-XT01</b>	0.010
	AK2-GD (grey RAL 7030)			

This clip mount has a locking device which secures the ducting through the Ø 6.5 x 14 mm slots.



AK2-XT01

## Slotted cable ducting. Colour : RAL 7030

Rigid PVC with opening side slots and perforations in base, length 2 m. Conforming to standards : VDE 0660/506 and DIN 43659 (3)

Fixing	Width mm	Height mm	Capacity (1) No. of 1.5 mm <sup>2</sup> wires	Sold in lots of	Unit reference	Weight kg
Clip-on or screw fixing on mounting plate or 35 mm "omega" or "combination" rail	25	25	25	8	<b>AK2-GD2525</b>	0.260
		50	65	8	<b>AK2-GD2550</b>	0.460
	37.5	50	110	8	<b>AK2-GD3750</b>	0.520
		75	160	8	<b>AK2-GD3775</b>	0.800
	50	50	160	8	<b>AK2-GD5050</b>	0.600
		75	240	8	<b>AK2-GD5075</b>	0.880
	75	50	250	8	<b>AK2-GD7550</b>	0.880
		75	400	8	<b>AK2-GD7575</b>	1.040
	100	75	550	8	<b>AK2-GD10075</b>	1.200
	125	75	700	8	<b>AK2-GD12575</b>	1.360

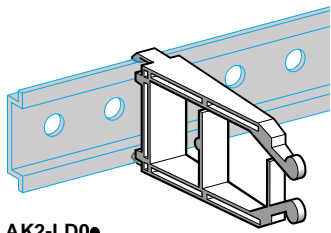
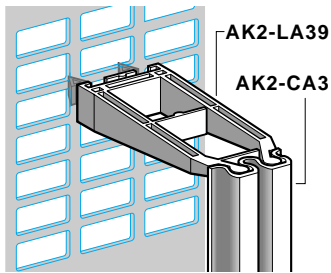
## Ducting covers. Colour : grey RAL 7030 (rigid PVC, length 2m) (3)

For use with		Sold in lots of	Unit reference	Weight kg
Cable ducting	AK2-GD2525, GD2550	8	<b>AK2-CD25</b>	0.160
	AK2-GD3750, GD3775	8	<b>AK2-CD37</b>	0.220
	AK2-GD5050, GD5075	8	<b>AK2-CD50</b>	0.280
	AK2-GD7550, GD7575	8	<b>AK2-CD75</b>	0.380
	AK2-GD10075	8	<b>AK2-CD100</b>	0.480
	AK2-GD12575	8	<b>AK2-CD125</b>	0.600

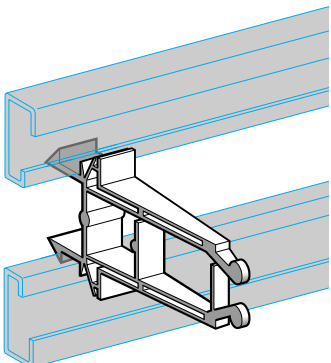
(1) Maximum capacity of H07-V-K/1.5 mm<sup>2</sup> flexible wires. Apply a fill coefficient of 0.60, without taking into account bending and overlapping of wires at ducting intersections.

(2) Flame resistance : VO material conforming to UL 94.

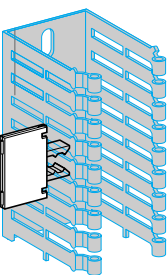
(3) Temperature resistance : - 5...+ 60 °C. Flame resistance : VO material conforming to UL 94.



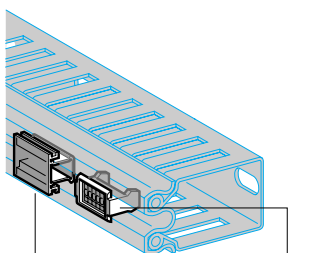
AK2-LD00



AK2-LB23



AR1-SA3



AR1-SB339187

AR1-SA2

## Cable clips. Colour : black (1)

Clip-on	Fixing centres mm	Capacity No. of 2.5 mm <sup>2</sup> wires	Sold in lots of	Unit reference	Weight kg
On Telequick® pre-slotted mounting plate	–	90	10	AK2-LA39	0.009
On 35 mm "Omega" or combination mounting rail	–	75	10	AK2-LD02	0.009
		90	10	AK2-LD01	0.009
Between 2 asymmetrical rails	60	75	10	AK2-LB23	0.009

## Cable clip covers. Colour : blue RAL 5000 (rigid PVC, length 2 m.)

Application		Sold in lots of	Unit reference	Weight kg
For cable clips	AK2-LA39 (2), LD01, LD02, LB23	8	AK2-CA3	0.200

## Marking accessories

Description	Sold in lots of	Unit reference	Weight kg
<b>Legend plate carrier</b> , translucent, supplied with blank paper legend (1) clip-on mounting on AK2-CA covers	10	AR1-SB339187	0.001
<b>Marker holder</b> , black, for 6 clip-in markers AB1-R or G (see page 13400/33) (1) clip-on mounting on AK2-CA covers	100	AR1-SA2	0.001
<b>Self-adhesive holders</b> (grey RAL 7032) for 6 push-in markers AB1-R or G (for AK2-CD cable ducting covers)	50	AR1-SB3	0.001
<b>Legend plate carrier</b> (3) transparent, clip-on mounting on sides of cable ducting AK2-GD (supplied with blank paper legend)	50	AR1-SA3	0.005

(1) Polyamide.

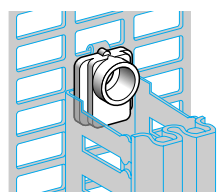
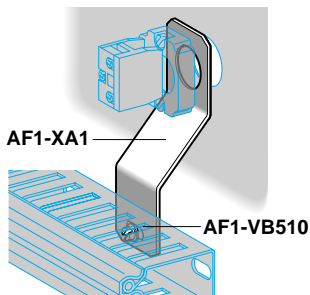
(2) These cable clips, which can be mounted in five different positions on pre-slotted mounting plates, can be fitted with covers AK2-CA6.

(3) Polycarbonate.

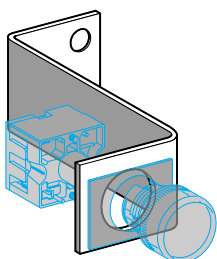
## Other versions

Cable clips with different wire capacities together with corresponding covers. Please consult your Regional Sales Office.

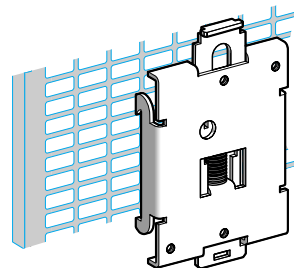




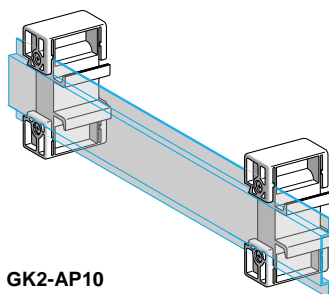
AF1-BA1



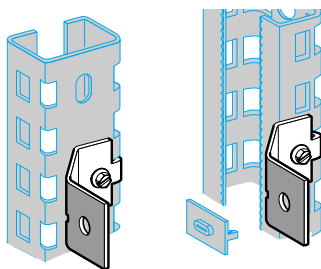
DX1-AP5



AX2-DL0



GK2-AP10



AF1-XC3

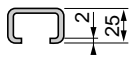
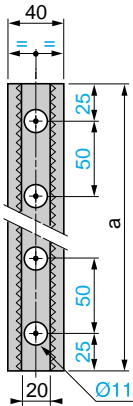
## Fixing accessories

Description	Sold in lots of	Unit reference	Weight kg
<b>Metal ducting support</b> for Ø 22 mm control and signalling units, mounted on enclosure door (1) (ducting can be fixed with AF1-EA5, see page 13300/4)	10	<b>AF1-XA1</b>	0.030
<b>M5 x 10 screw</b> , with insulated hexagon slotted head, for fixing cable ducting	100	<b>AF1-VB510</b>	0.003
<b>Universal fixing clamp</b> for clamping ducting or rails (2) (clamp fixes onto support with M6 screw not supplied)	10	<b>AF1-BA1</b>	0.003
<b>Bracket</b> for fixing control units (1) (Ø 31) on DIN rails	10	<b>DX1-AP51</b>	0.160
<b>Bracket</b> for fixing control units (1) (Ø 22) on DIN rails	10	<b>DX1-AP52</b>	0.160
<b>Support plate</b> for screw mounted equipment (1) (for mounting on 35 mm "omega" rails, "combination" rails or Telequick mounting plates)	10	<b>AX2-DL01</b>	0.060
	10	<b>AX2-DL02</b>	0.060
<b>Adjustable spacer</b> (Enclosure depth : up to 300 mm)	2	<b>GK2-AP10</b>	0.100

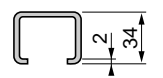
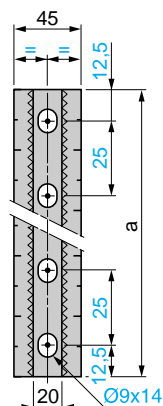
## Cable ducting fixing lug

Screw fixing	For use on cable ducting	Material, treatment, thickness	Sold in lots of	Unit reference	Weight kg
	AK2-XT01	Sheet steel, galvanized 2 mm	10	<b>AF1-XC3</b>	0.050
<b>Metal bracket</b> for mounting cable ducting on pre-drilled notched uprights AM3-EC <ul style="list-style-type: none"> <li>- flat (3)</li> <li>- edgewise (4)</li> </ul> <p>(1) Treated with zinc chromate.  (2) Polyamide.  (3) Using nut AA3-AA06 and screw AF1-VA612.  (4) Using nut AF1-EA6 and screw AF1-VA612.</p>					

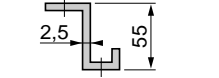
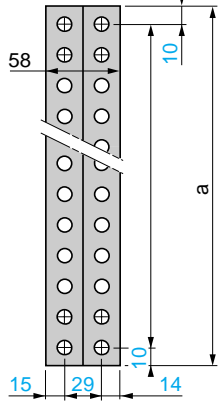
**Uprights and mounting rails AM1-EC●●●**



**Pre-drilled notched uprights AM3-EC●●●**



**Pre-drilled uprights DZ6-MZ●●●**



**Uprights and mounting rails**

AM1-EC	090	115	200
a	900	1150	2000

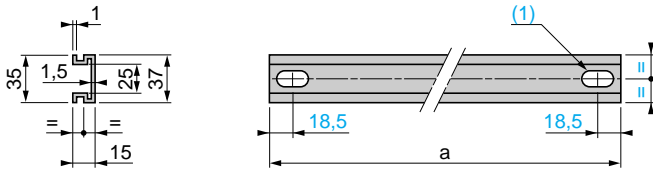
**Pre-drilled notched uprights**

AM3-EC	105	145	165	185
a	1075	1475	1675	1875

**Pre-drilled uprights**

DZ6-MZ	121	151	161	181	200	211
a	1020	1320	1420	1620	1820	1920

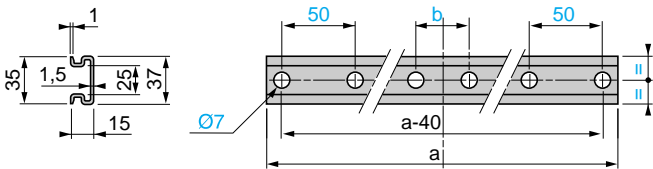
**Combination rails AM1-ED0●1**



AM1-	ED021	ED031	ED041	ED051	ED061	ED071
a	250	350	450	550	650	750

(1) 2 elongated holes 6.5 x 19

**Combination rails AM1-ED●●5**

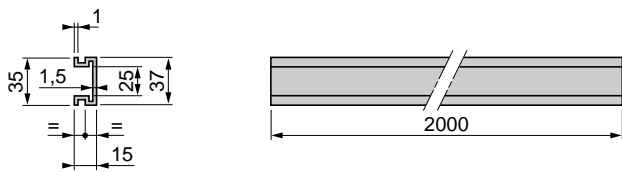


AM1-	ED055	ED075	ED095	ED115
a	590	790	990	1190
b	-	-	150	150

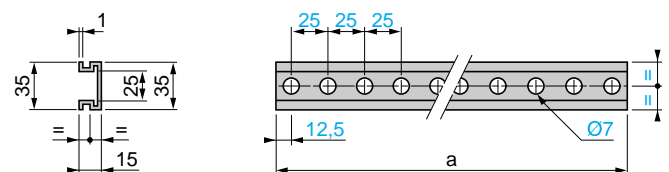
No. of Ø7 holes

4 4 6 6

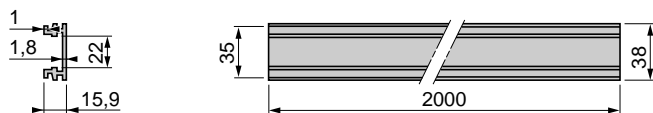
**Combination rail AM1-ED201**



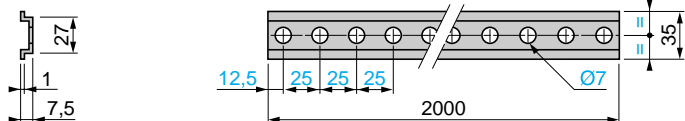
**Combination rails AM1-ED200**



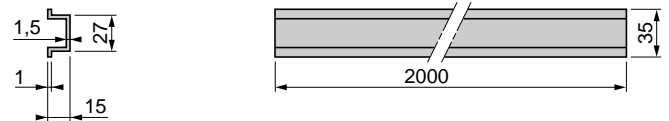
**Aluminium mounting rail AM1-EA200**



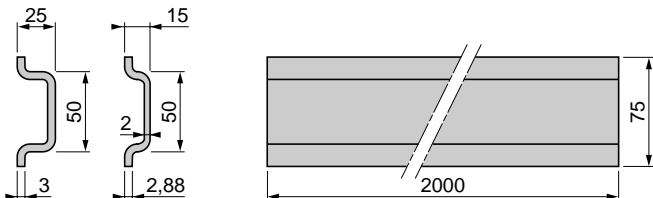
**“Omega” mounting rail AM1-DP200, DR200**



**“Omega” mounting rail AM1-DE200**



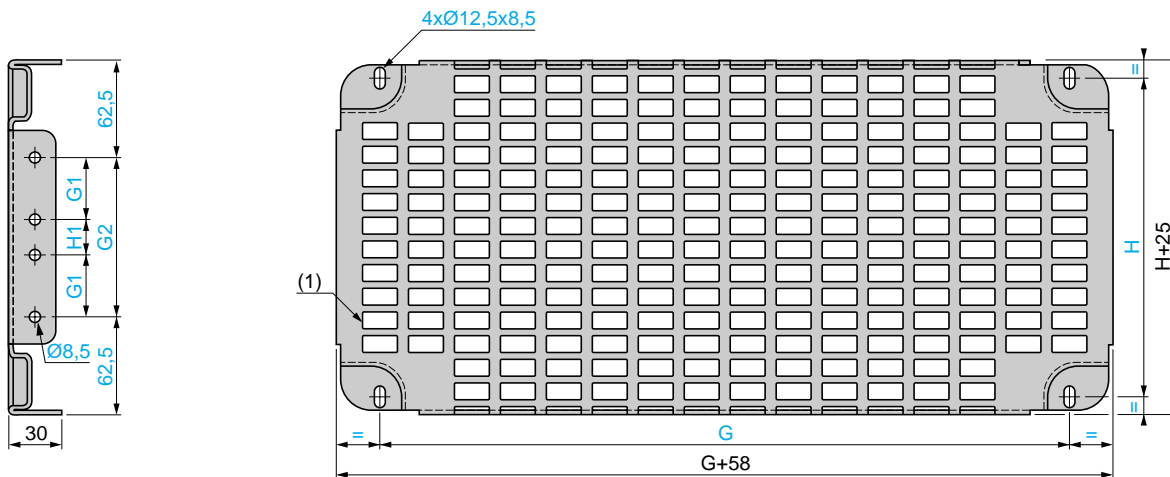
**Omega” mounting rail AM1-DL200, DL201, Common front face view**



**Asymmetrical rails DZ5-MB201**



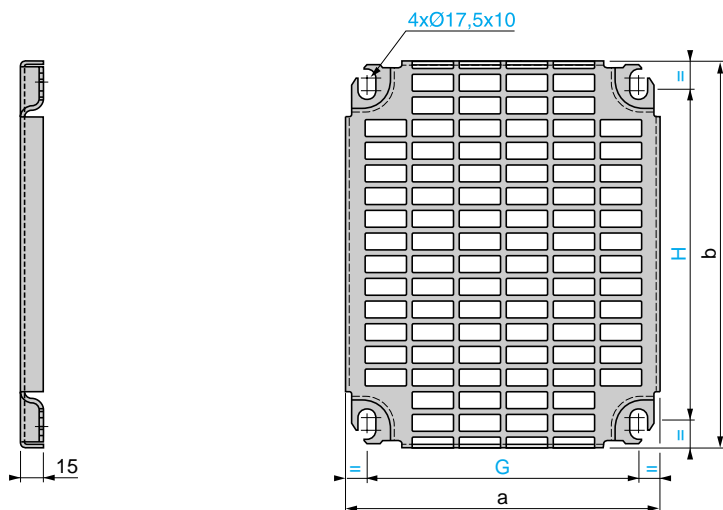
Telequick pre-slotted mounting plates, suitable for vertical butt-mounting on uprights AM3-EC  
AM3-PA●●●●



AM3-PA	2045	2065	2085	20105	4045	4065	4085	40105	6045	6065	6085	60105	8045	8065	8085	80105
G	450	650	850	1050	450	650	850	1050	450	650	850	1050	450	650	850	1050
G1	-	-	-	-	-	-	-	-	125	125	125	125	250	250	250	250
G2	100	100	100	100	325	325	325	325	475	475	475	475	700	700	700	700
H	200	200	200	200	425	425	425	425	575	575	575	575	800	800	800	800
H1	-	-	-	-	-	-	-	-	225	225	225	225	200	200	200	200

(1)  $\varnothing 11 \times 26$  on  $15 \times 30$  mm pitch.

Pre-slotted mounting plates  
AM3-PA●●●●



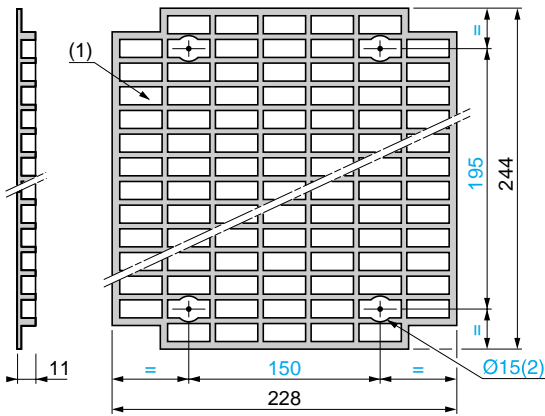
AM3-PA	32	325	36	38	425	43	44	53	54	64	65	66
a	154	228	551	751	228	251	351	251	351	351	451	551
b	255	253	255	255	349	349	345	454	450	555	555	555
G	125	175	525	725	175	225	325	225	325	325	425	525
H	225	225	225	225	325	325	325	425	425	525	525	525

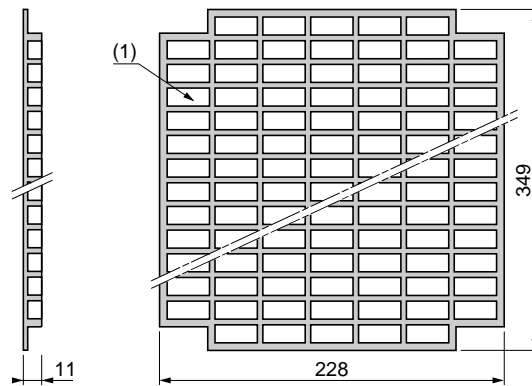
AM3-PA	75	76	86	88	97	108	128
a	451	551	551	751	651	751	751
b	645	645	750	750	855	945	1145
G	425	525	525	725	625	725	725
H	625	625	725	725	825	925	1125

(1)  $\varnothing 11 \times 26$  on  $15 \times 30$  mm pitch.

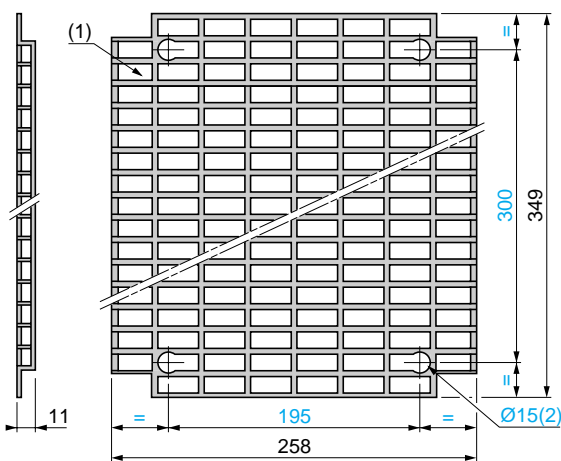
Telequick pre-slotted mounting plates  
AM1-PA2015



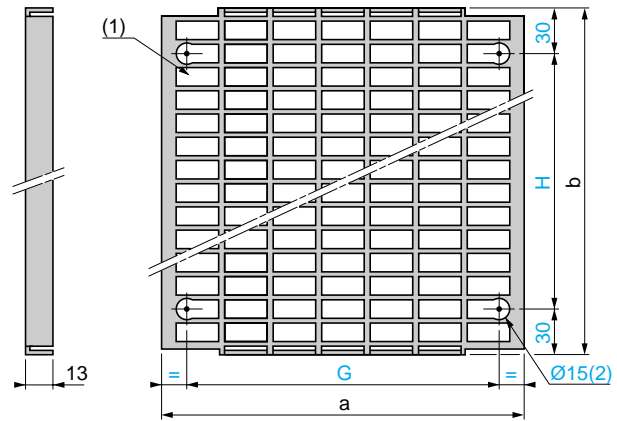
AM1-PA3015



AM1-PA3020

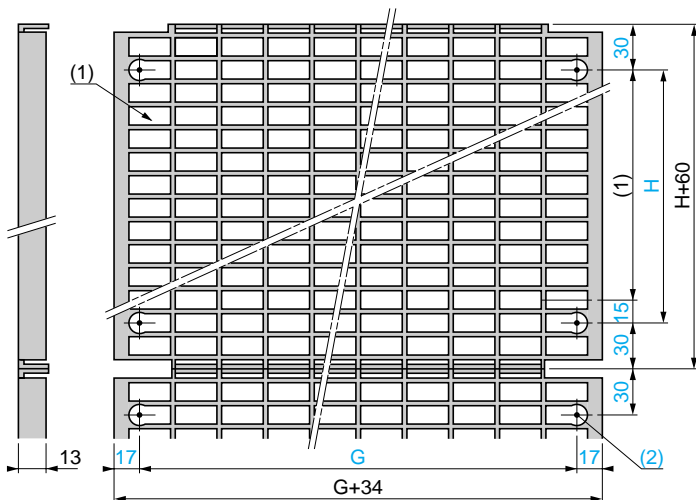


AM1-PA4000, 5000, 6000, 7050, 8060, 9070

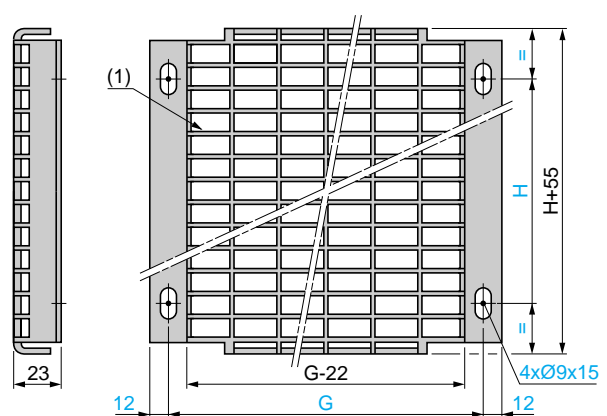


AM1-PA	4020	4030	5030	5040	6040	6050	7050	8060	9070
a	234	334	334	434	434	534	534	634	734
b	465	465	555	555	660	660	765	855	960
G	200	300	300	400	400	500	500	600	700
H	405	405	495	495	600	600	705	795	900

Telequick pre-slotted mounting plates (butt-mountable) on uprights DZ6-MZ  
AM1-PA0000



Telequick heavy duty pre-slotted mounting plates  
AM1-PS0000



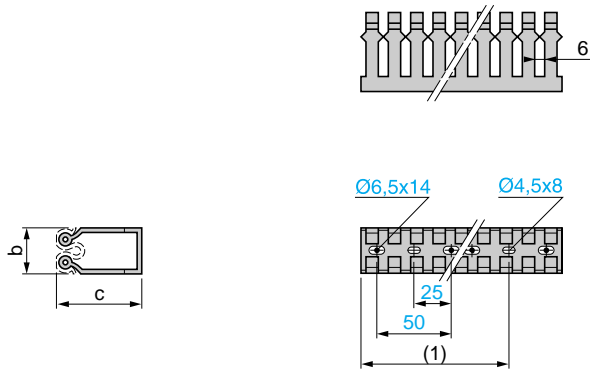
AM1-PA	0640	0650	0660	0670	1240	1250	1260	1270	3040	3050
G	400	500	600	700	400	500	600	700	400	500
H	60	60	60	60	120	120	120	120	300	300
AM1-PA	3060	3070	6040	6050	6060	6070	9040	9050	9060	9070
G	600	700	400	500	600	700	400	500	600	700
H	300	300	600	600	600	600	900	900	900	900

AM1-PS	9070	11070
G	700	700
H	900	1095

(1) 11 x 26 on 15 x 30 mm pitch.

(2) Ø15 for centring washers

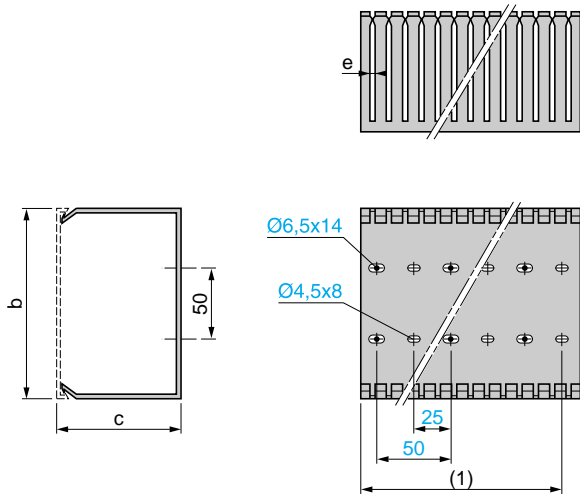
**Cable ducting**  
AK2-GA●●●



AK2-	GA33	GA35	GA65	GA39	GA69	GA315	GA615
b	30	30	60	30	60	30	60
c	35	55	55	90	90	144	144

(1) 2000 (15 mm pitch)

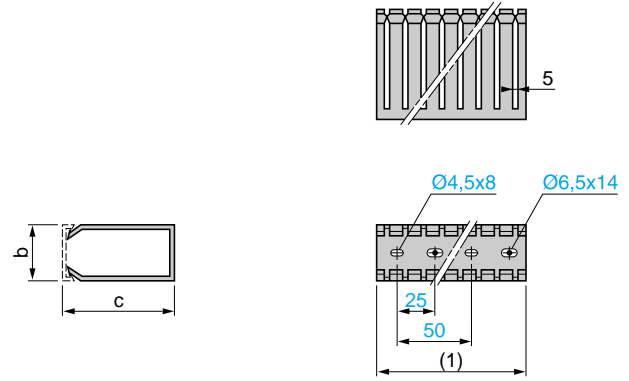
**Cable ducting**  
AK2-GC128, GD75●●, GD1●●75



AK2-	GC128	GD7550	GD7575	GD10075	GD12575
b	120	73	73	98	123
c	80	48	73	73	73
e	4	5	5	5	5

(1) 2000 - AK2-GC128 : 10 mm pitch, AK2-GD : 12.5 mm pitch

AK2-GD25●●, GD37●●, GD50●●



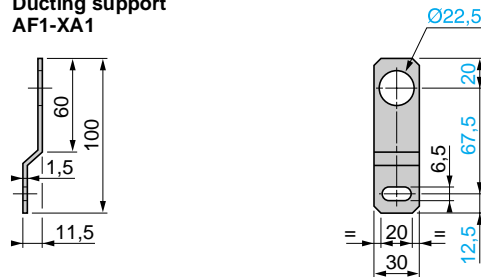
AK2-	GD2525	GD2550	GD3750	GD3775	GD5050	GD5075
b	23	23	35.5	35.5	48	48
c	23	48	48	73	48	73

(1) 2000 (12.5 mm pitch)

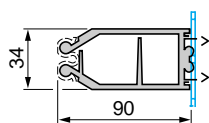
**Cable ducting clip mounts**  
AK2-XT01



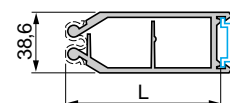
**Ducting support**  
AF1-XA1



**Cable clips**  
AK2-LA39

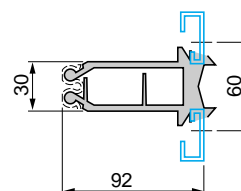


AK2-LD0●

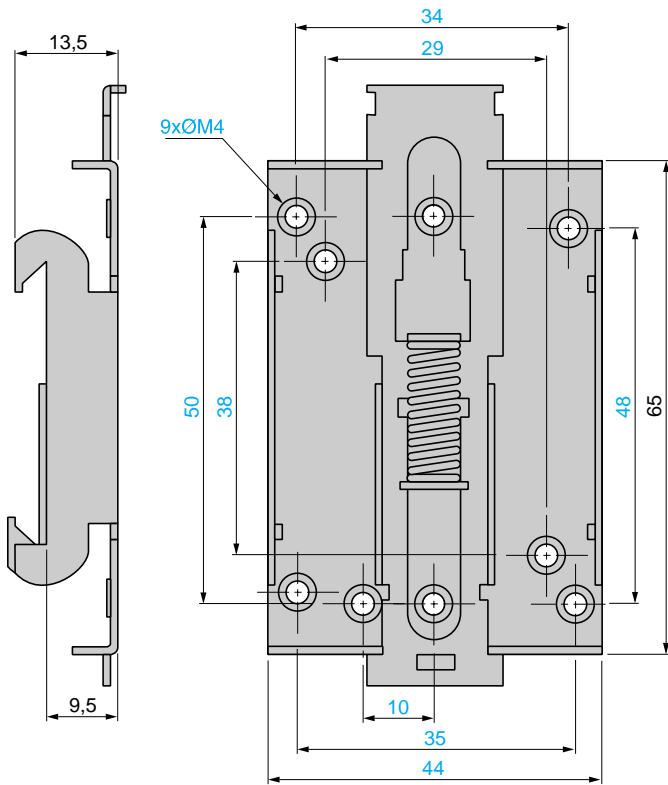


AK2-	LD02	LD01
L	85	103

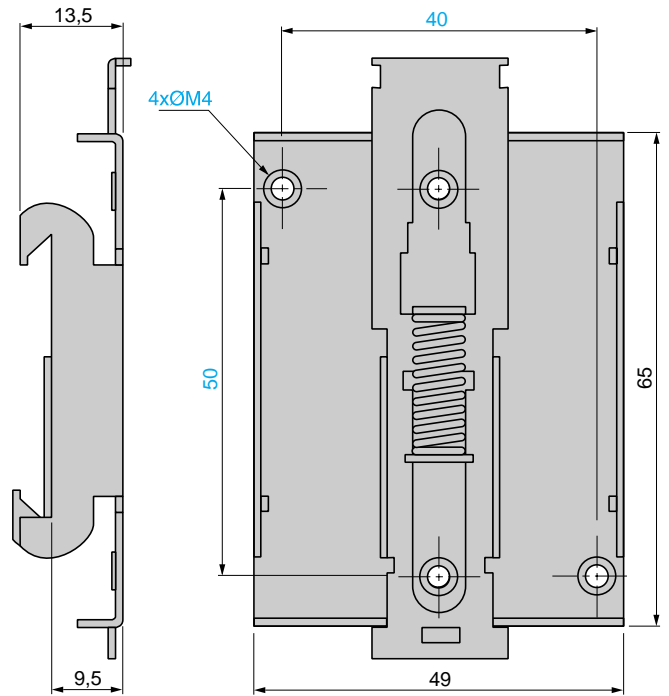
AK2-LB23



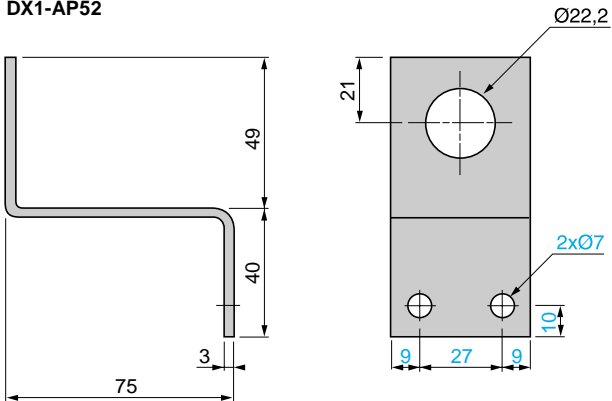
Support plates  
AX2-DL01



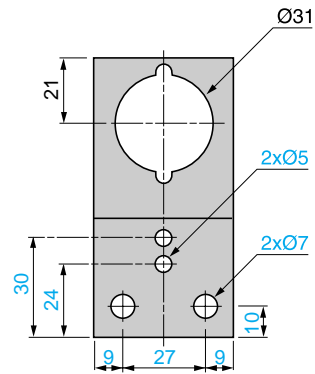
AX2-DL02



Brackets for fixing Ø 22 and Ø 31 control units  
DX1-AP52



DX1-AP51



Adjustable spacer  
GK2-AP10

