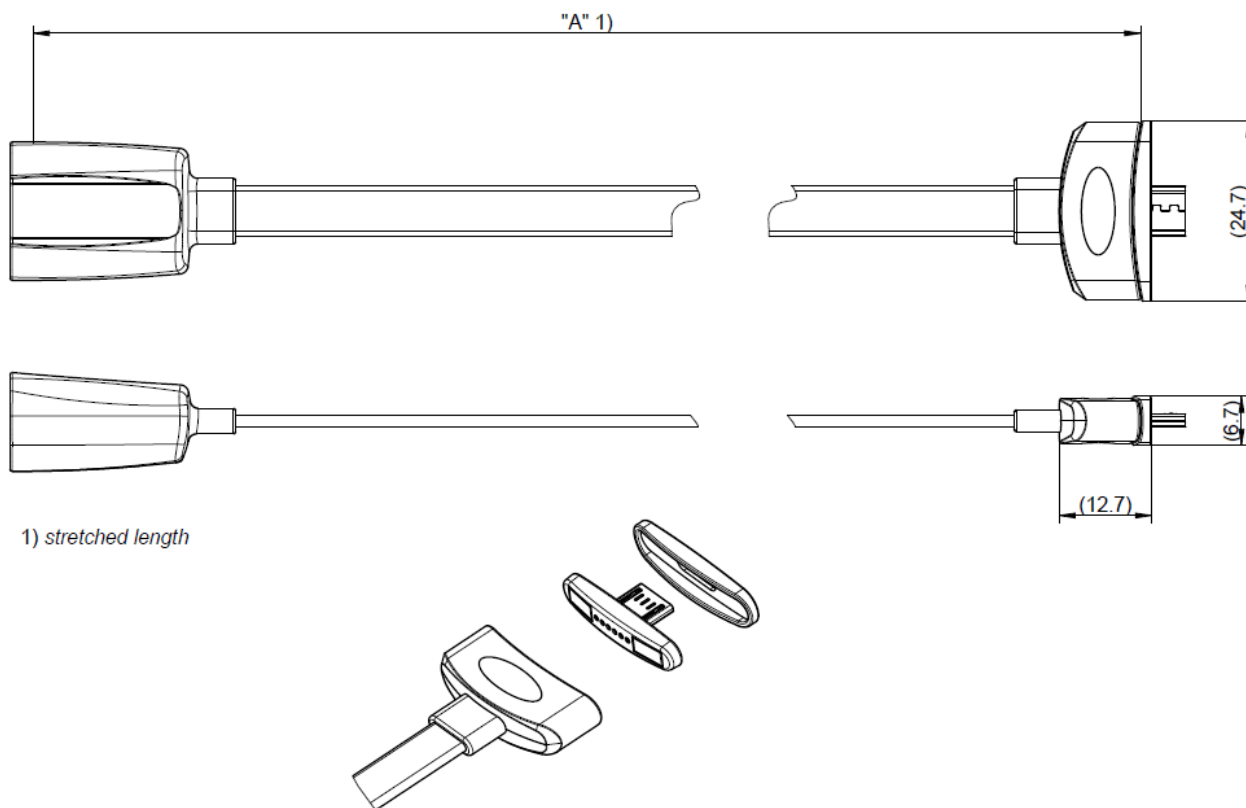


L99 USB 2.0 A FEMALE TO USB 2.0 MICRO-B ADAPTER

**L99-M0015-XXX-Y**



1) stretched length

All dimensions are in mm; tolerances according to ISO 2768 c

**Interface**

According to MU1S199-K01L-Y

**Available length**

Description	Length "A" in [mm] <sup>1</sup>
L99-M0015-XXX-Y	XXX ± 1%

<sup>1</sup> length < 300 ± 3 mm

**Available colour**

Description	Colour "Y" in
L99-M0015-XXX-Y	A- white
	B- black

**Technical data cable interfaces**

USB 2.0 480Mbit/s  
spring loaded contacts, gold plated

RF\_35/06.07/5.0

L99 USB 2.0 A FEMALE TO USB 2.0 MICRO-B ADAPTER

**L99-M0015-XXX-Y**

1.0 meter length  
 USB 2.0 A-plug female version  
 USB On- The- Go (OTG) specified  
 Magnetic interface for magnetic adapter

**Technical data magnetic adapter**

USB 2.0 480Mbit/s  
 gold contacts  
 Magnetic interface for cable interface  
 USB Micro B 2.0 Plug

**Electrical data**

USB Standard 2.0  
 OTG compatible

**Mechanical data**

Mating cycles USB acc. to USB 2.0 specification  
 Mating cycles Adapter min. 10000  
 Disengagement force (USB interface) min. 11 N  
 max. 16 N  
 Disengagement force (magnetic interface) min. 6 N  
 max. 11 N

**Environmental data**

Temperature range -25°C to +50°C  
 RoHS compliant

**Packing**

Standard plastic bag  
 Weight XX g/piece

**Safety instruction**

**Caution**

Magnets can impact the function of pace makers and implantable cardioverter-defibrillators (e.g. actuation of reed switch). Keep a minimum distance of 0.5 m (50 cm) from magnetic components in order to prevent malfunction and danger to health.

While the information has been carefully compiled to the best of our knowledge, nothing is intended as representation or warranty on our part and no statement herein shall be construed as recommendation to infringe existing patents. In the effort to improve our products, we reserve the right to make changes judged to be necessary.

Draft	Date	Approved	Date	Rev.	Engineering change number	Name	Date
M. Portenkirchner	27/01/17	M. Portenkirchner	27/01/17	100	17-v077	M. Margardt	27/01/17

Rosenberger Hochfrequenztechnik GmbH & Co. KG  
 P.O.Box 1260 D-84526 Tittmoning Germany  
[www.rosenberger.de](http://www.rosenberger.de)

Tel.: +49 8684 18-0  
 Fax: +49 8684 18-499  
 email: [info@rosenberger.de](mailto:info@rosenberger.de)

Page  
 2 / 2