

# Technical Data Sheet

## Moulded Plastic Switch Disconnectors

CDPD55  
Issue 1

### General Description

Switchgear housed in moulded plastic enclosures provide the basis for most industrial applications and the added benefits offered by the 'i-switch' range provide the user with a wealth of opportunities when selecting the correct item for a specific application. Sealing up to IP66 is a standard feature as is the ability to add a selection of auxiliary blocks providing additional contacts and a choice of Neutral assemblies.

With the 'i-switch' range comes an important safety feature which prevents the enclosure cover being removed when the device has been padlocked in the 'Off' position. When combined with the excellent on-load breaking capacity of the 'i-switch' family this feature ensures that the term 'Safety Switch' is fully satisfied.



### Safety Features

#### Padlocking

All items allow for the insertion of up to three padlocks in the 'Off' position thus preventing the isolator being switched to the 'On' position.

Standard shackle diameter Ø6.4

#### Safety Interlock

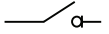
Screwed lid enclosures have always been open to abuse by having the lid removable when the isolator is 'Off' and padlocked. This would allow the switch shaft to be turned manually to the 'On' position, thus defeating the safety padlocking feature.

The 'i-switch' range now incorporates a mechanical interlock which when a padlock is inserted prevents the enclosure lid from being removed.



Watch a 3 minute video explaining the various safety features built-in to the design of the i-switch 'screwed lid' product family.

### Switch-Disconnectors (O-I)



Catalogue Numbers				
Rating	Format	Interior Switch product range	Cat. No.	Enclosure Size
20A	6P	GX20	SDP206	A (IP66)
	6P+2EB Aux	GX20	SDP206EB	
25A	2P	CS25	SDP252	A (IP66)
	3P	CS25	SDP253	
	3P+NL	CS25	SDP253NL	
	3P+N	CS25	SDP253N	
32A	3P+2EB Aux	CS25	SDP253EB	A (IP66)
	2P	CS32	SDP322	
	3P	CS32	SDP323	
	3P+NL	CS32	SDP323NL	
40A	3P+N	CS32	SDP323N	A (IP66)
	3P+2EB Aux	CS32	SDP323EB	
	2P	CS40R	SDP402	
	3P	CS40R	SDP403	
40A	3P+NL	CS40R	SDP403NL	B (IP66)
	3P+N	CS40R	SDP403N	
	3P+2EB Aux	CS40R	SDP403EB	
	6P	GX40	SDP406	
63A	6P+2EB Aux	GX40	SDP406EB	B (IP66)
	2P	CS63	SDP632	
	3P	CS63	SDP633	
	3P+NL	CS63	SDP633NL	
80A	3P+N	CS63	SDP633N	B (IP66)
	3P+2EB Aux	CS63	SDP633EB	
	2P	CS80	SDP802	
	3P	CS80	SDP803	
100A	3P+NL	CS80	SDP803NL	C (IP65)
	3P+N	CS80	SDP803N	
	3P+2EB Aux	CS80	SDP803EB	
	2P	CS100	SDP1002	
100A	3P	CS100	SDP1003	D (IP65)
	3P+NL	CS100	SDP1003NL	
	3P+N	CS100	SDP1003N	
	3P+2EB Aux	CS100	SDP1003EB	

'N' = switched neutral (Early make, late break)  
'NL' = Unswitched neutral  
'EB' = Early break auxiliary contacts

### Changeover Switch-Disconnectors (I-O-II)

Catalogue Numbers				
Rating	Format	Interior Switch product range	Cat. No.	Enclosure Size
20A	2P	GX20	SCODP202	A (IP66)
	3P	GX20	SCODP203	
	4P	GX20	SCODP204	
40A	2P	GX40	SCODP402	B (IP66)
	3P	GX40	SCODP403	
	4P	GX40	SCODP404	


# T e c h n i c a l   D a t a   S h e e t

## Moulded Plastic Switch Disconnectors

CDPD55  
Issue 1

### Design Features

#### Enclosure

Material	20A-63A PC/ABS 80A-100A PC	
Colour	Enclosure - Grey RAL 7035	
Entries	<b>Size A Enclosure</b> - 2 x M20 knock-outs on top & bottom faces. <b>Size B Enclosure</b> - 2 x M20/25 knock-outs on top & bottom faces. Back face - 2 x M20 knock-outs. <b>Size C &amp; D Enclosures</b> - Blank sides.	
Cover Screws	Stainless Steel (Captive)	
Fixings	Outside sealed cavity.	

#### Switch-Disconnectors

2 & 3 Pole	Type <b>CS</b> - base mounted. (Accepts add-on Aux. blocks & Neutrals)
6 Pole	Type <b>GX</b> - base mounted. (also available with 2 E/B Aux.)

#### Changeover Switch-Disconnectors

2, 3 & 4 Pole	Type <b>GX</b> - base mounted.
---------------	--------------------------------

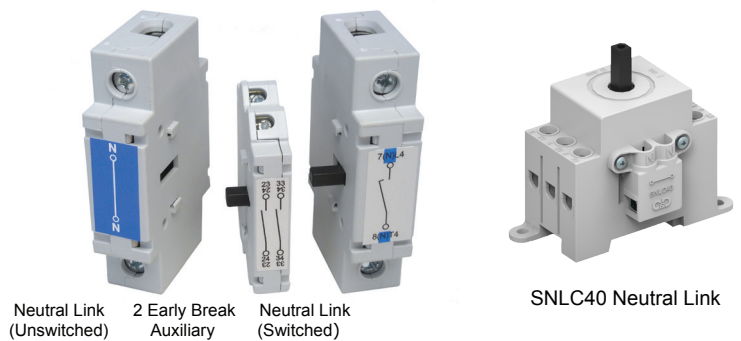
#### Earthing

Earth terminals are provided in the base of the enclosures.

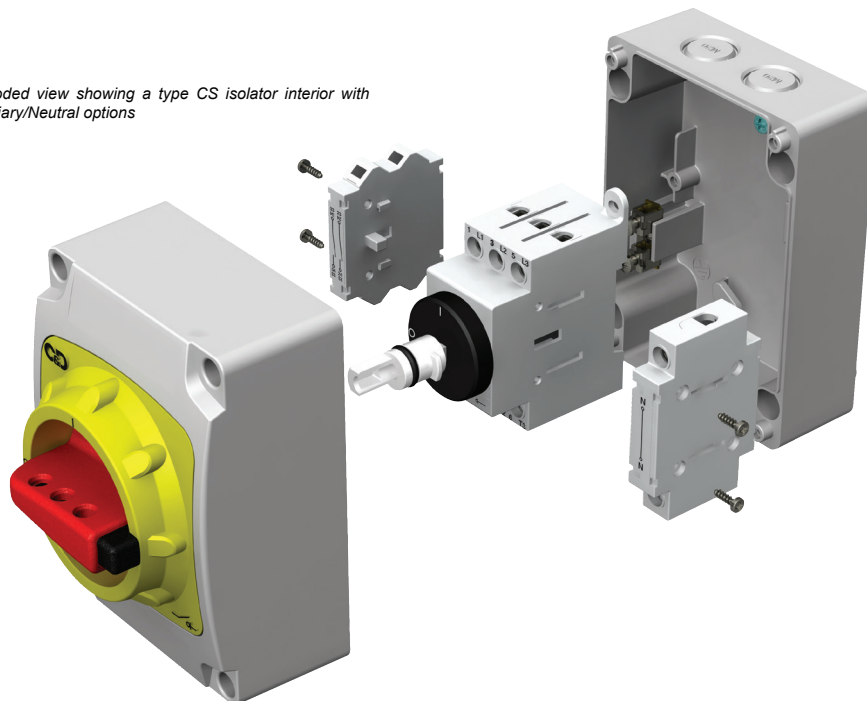
### Accessories

Applicable to type 'CS' interiors only

Description	Cat. No.
Auxiliary Contact - 2 Early Break	<b>SAUX2EB</b>
Auxiliary Contact - 1 N/O + 1 N/C	<b>SAUXCO</b>
25A - 40A Compact Neutral (Unswitched)	<b>SNLC40</b>
63A Neutral (Unswitched)	<b>SNL63</b>
80A Neutral (Unswitched)	<b>SNL80</b>
100A Neutral (Unswitched)	<b>SNL100</b>
25A Neutral (Switched)	<b>SSP25</b>
32A & 40A Neutral (Switched)	<b>SSP40</b>
63A Neutral (Switched)	<b>SSP63</b>
80A Neutral (Switched)	<b>SSP80</b>
100A Neutral (Switched)	<b>SSP100</b>



*Exploded view showing a type CS isolator interior with Auxiliary/Neutral options*



# Technical Data Sheet

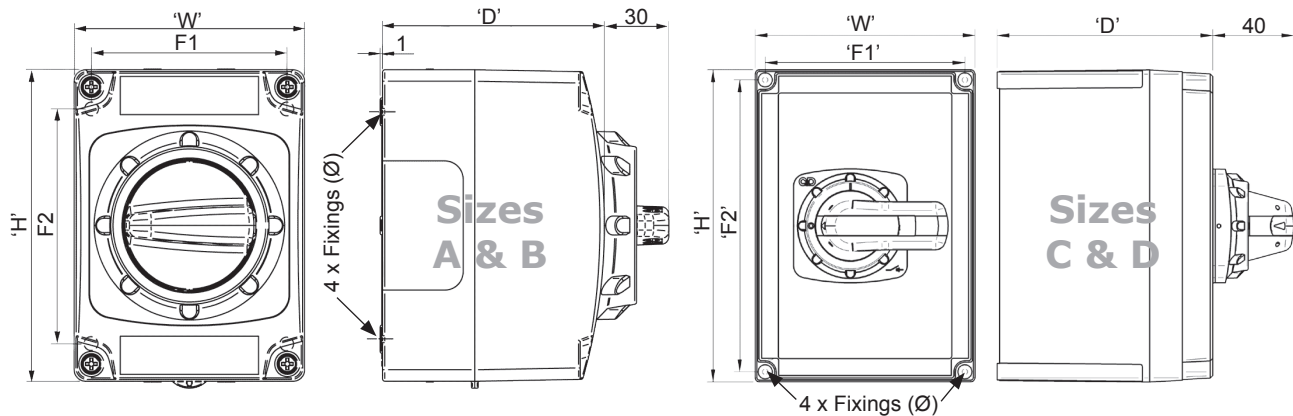
## Moulded Plastic Switch Disconnectors

CDPD55  
Issue 1

### Technical Specification

Data supplied against tests to IEC/BS EN 60947-3				Rating										
Application	Sym.	Unit	Category	20A	25A	32A	32A	40A	40A	63A	63A	80A	100A	
Switch product range	-	-		GX20	CS25	GX32	CS32	GX40	CS40R	GN63	CS63	CS80	CS100	
Rated thermal current	$I_{the}$	A		20	25	32	32	40	40	63	63	80	100	
Rated insulation voltage	$U_i$	V		690	690	690	690	690	690	690	690	690	1000	
Rated impulse voltage	$U_{imp}$	kV		6	6	6	6	6	6	6	6	6	8.0	
Rated operational power(3 phase AC)		kW	380/440 - AC23	7.5	11	15	15	18.5	15	30	25	30	59	
			500V - AC23	7.5	15	15	15	15	15	30	30	37	63	
			690V - AC23	7.5	15	15	15	15	15	30	30	30	51	
Rated short time withstand current (1 sec)	$I_{cw}$	A		250	500	800	600	800	600	1600	1300	1400	2600	
Max. fuse size for short circuit protection (gG Characteristic)		kA	10kA	20	35	35	35	40	40	63	80	80	160	
			25kA	16	32	35	32	35	32	63	63	63	160	
			50kA	-	32	-	32	-	32	63	63	63	160	
Recommended connecting capacity		-	Terminal type											
			mm <sup>2</sup>	Flexible cable	2.5 x 2	6	6 x 2	6	6 x 2	6	10	16	16	50
			mm <sup>2</sup>	Rigid cable	2.5 x 2	10	10 x 2	10	10 x 2	10	16	25	25	70
			Nm	Tightening torque	1.0	1.2	1.0	1.2	1.0	1.2	1.2	1.2	1.2	2

### Dimensions



	Overall Dims.			Fixing details		
	H	W	D	F1	F2	Ø
Size A	135	100	95	85	98.5	5.5
Size B	175	130	115	115	135	5.5
Size C	255	180	125	163.5	238.5	4.5
Size D	255	180	175	163.5	238.5	4.5