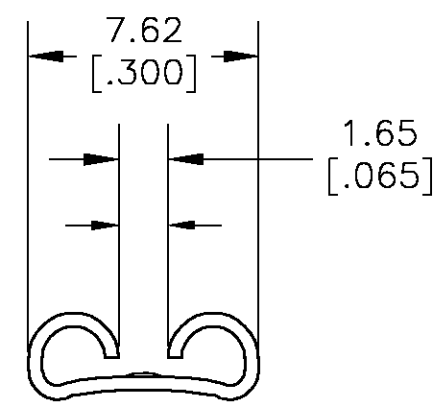
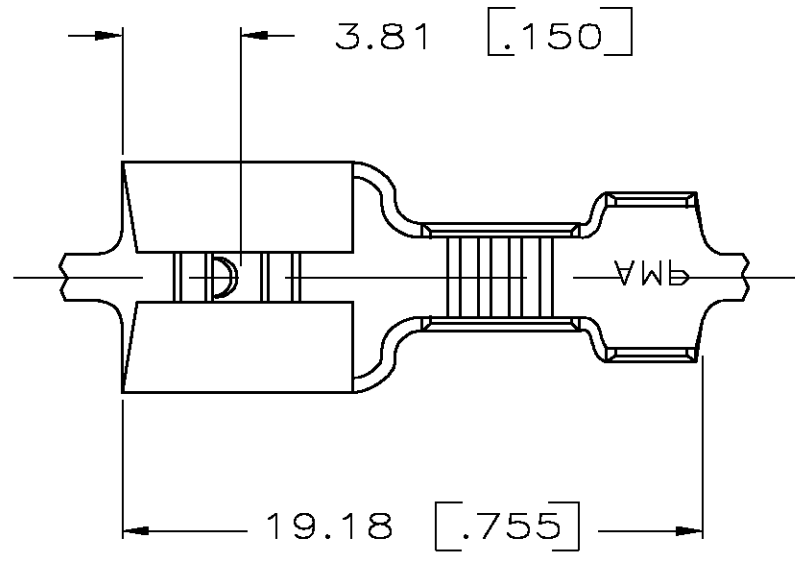


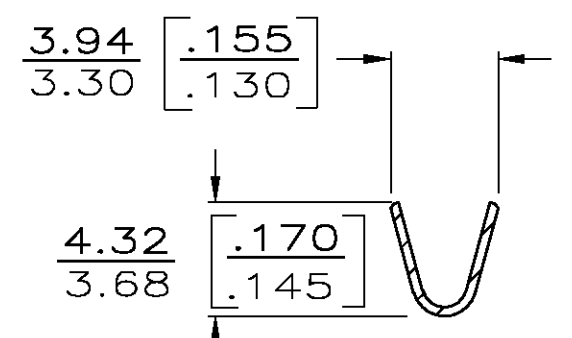
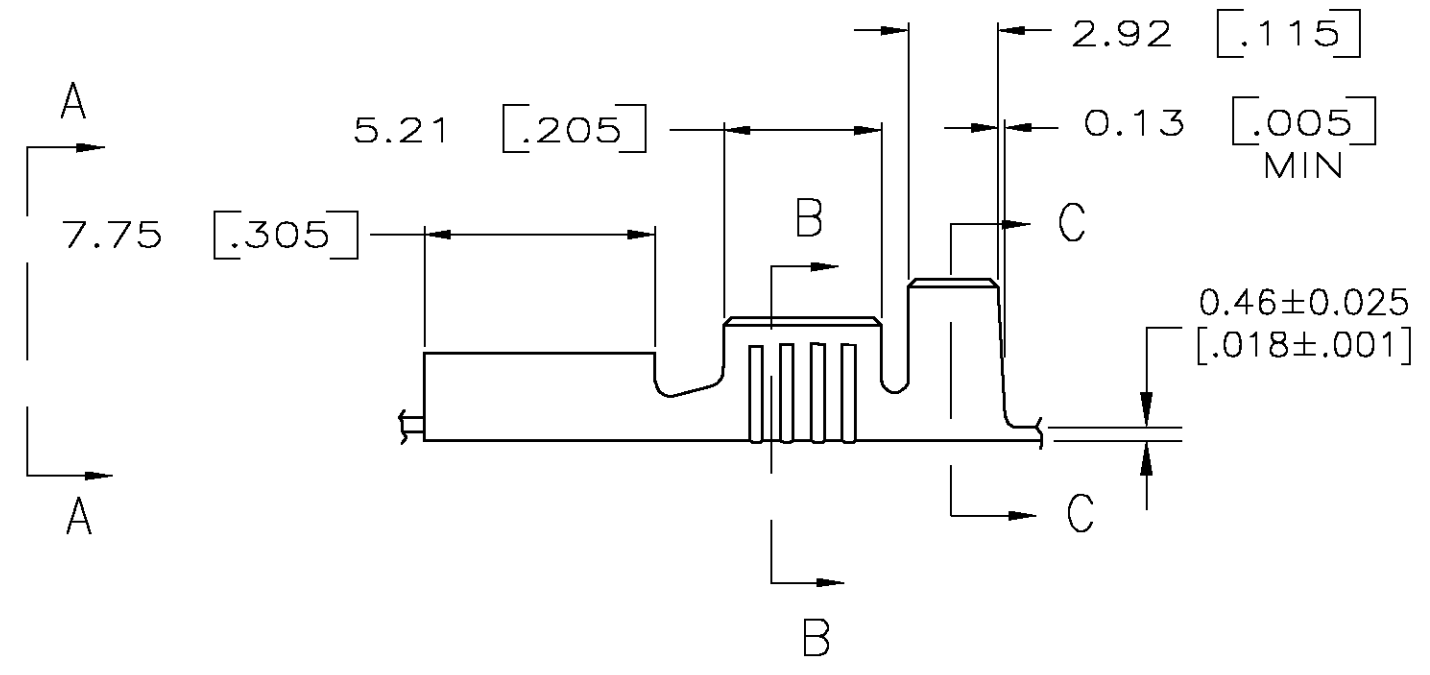
THIS DRAWING IS UNPUBLISHED. RELEASED FOR PUBLICATION
 © COPYRIGHT BY TYCO ELECTRONICS CORPORATION. ALL RIGHTS RESERVED.

LOC	DIST	REVISIONS			
P	LTR	DESCRIPTION	DATE	DWN	APVD
AF	50	T	REV PER 0G3A-0495-04	24JUN04	JR PD

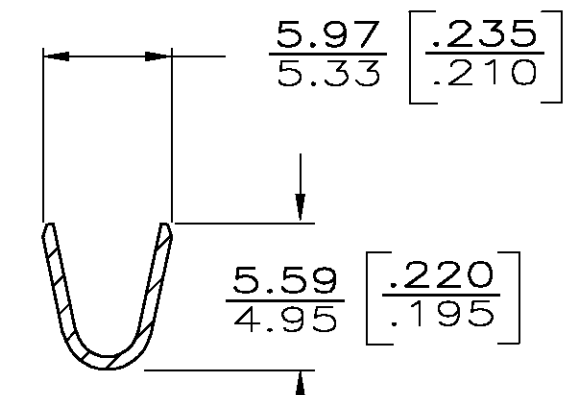
- 1 DIM'S IN BRACKETS ARE IN INCHES
- 2 CONTINUOUS STRIP ON REELS
- 3 WIRE SIZE 0.8-2.0mm [#18-#14] AWG
- 4 INSULATION RANGE IS 3.05-4.32 [.120-.170] DIA.
- 5 MATING TAB THK IS 0.81±0.025 [.032±.001].
- △ 6 0.38 X 15° [.015 X 15°] SWAGE ON FRONT OF RECEPTACLE. FOR FOREIGN PRODUCTION ONLY.



VIEW A-A



SECT B-B



SECT C-C

△ 6	41274-1
	41274
	PART NO.

TYPE	WIDTH	STRIP LENGTH ±.015	TYPE	WIDTH	±.051 [.002] HEIGHT	WIRE
F OR O	4.57 [.180]	6.4 [.252]	F	3.05 [.120]	1.90 [.075]	2.0mm ² [14]
					1.68 [.066]	1.3mm ² [16]
					1.55 [.06]	0.8mm ² [18]
INSUL BARREL CRIMP			WIRE BARREL CRIMP			

THIS DRAWING IS A CONTROLLED DOCUMENT.

DWN	JR RUTH	2/5/86	 Tyco Electronics Corporation Harrisburg, Pa 17105-3608	
CHK	G YETTER	2/5/86		
APVD	R KUZO	2/5/86		
PRODUCT SPEC				
APPLICATION SPEC			NAME	.250 SERIES FASTON RECEPTACLE
WEIGHT	-		SIZE	A3
CUSTOMER DRAWING			CAGE CODE	00779
			DRAWING NO	C-41274
			RESTRICTED TO	-
			SCALE	4:1
			SHEET	1 OF 1
			REV	T