

Customer Information Sheet

DRAWING No.: M20-783XXX

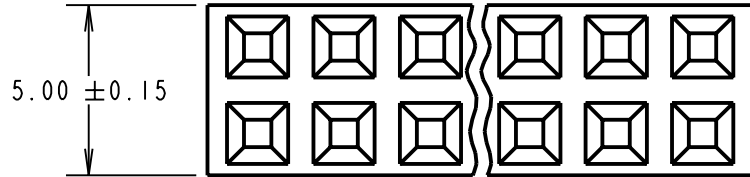
IF IN DOUBT - ASK

©

NOT TO SCALE

THIRD ANGLE PROJECTION

ALL DIMENSIONS IN mm



ORDER CODE:

M20-783XXX

No. OF WAYS PER ROW: _____
02 TO 40

FINISH: _____
42 = SELECTIVE GOLD + 100% TIN
46 = 100% TIN

SPECIFICATION:

MATERIAL:

MOULDING = NYLON 6T UL94V-0, BLACK
CONTACTS = PHOSPHOR BRONZE

FINISH:

42 = GOLD ON CONTACT AREA, 100% TIN
ON TAILS.

46 = 100% TIN

ELECTRICAL:

CURRENT RATING = 3A

VOLTAGE PROOF = 500V AC/DC

CONTACT RESISTANCE = 20 MILLIOHMS MAX

INSULATION RESISTANCE = 5,000 MEGOHMS MIN

ENVIRONMENTAL:

TEMPERATURE RANGE = -40° TO +105°

MECHANICAL:

INSERTION FORCE = 5N MAX

WITHDRAWAL FORCE = 0.2N MIN

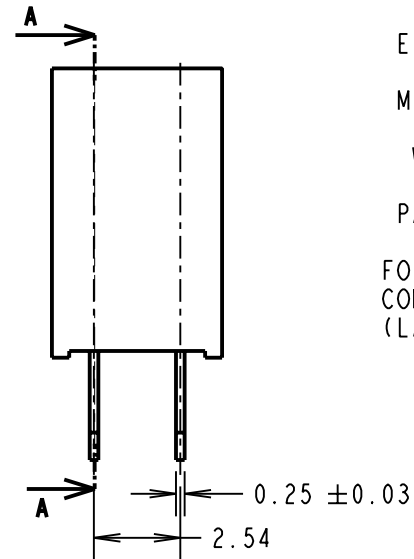
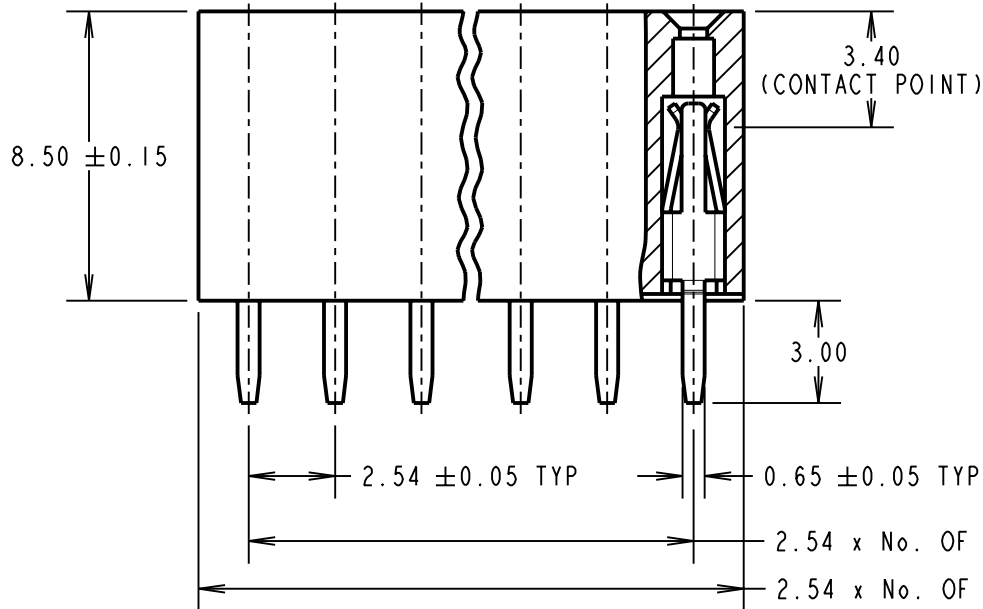
DURABILITY = 50 OPERATIONS

PACKING:

TUBE

FOR COMPLETE SPECIFICATION SEE
COMPONENT SPECIFICATION C001XX
(LATEST ISSUE)

PART SECTION A-A



NOTES:

1. RECOMMENDED PCB HOLE SIZE = \varnothing 1.00mm

CP	10	10.09.09	10298
NAME	ISS.	DATE	C/NOTE
APPROVED:		C.PENROSE	
CHECKED:		R.ADDE	
DRAWN:		J.EVANS	
CUSTOMER REF.:			
ASSEMBLY DRG:			

HARWIN

THIS DRAWING AND ANY INFORMATION OR DESCRIPTIVE MATTER SET OUT HEREON ARE CONFIDENTIAL AND COPYRIGHT PROPERTY OF THE HARWIN GROUP AND MUST NOT BE DISCLOSED, LOANED, COPIED OR USED FOR MANUFACTURING, TENDERING OR FOR ANY OTHER PURPOSE WITHOUT THEIR WRITTEN PERMISSION.

TOLERANCES

X. = \pm 1mm
X.X = \pm 0.25mm
X.XX = \pm 0.10mm
X.XXX = \pm 0.01mm
ANGLES = \pm 5°
UNLESS STATED

MATERIAL:

SEE ABOVE

FINISH: SEE ABOVE

S/AREA: mm²

TITLE:

2.54mm PITCH DIL VERTICAL
PC TAIL SOCKET ASSEMBLY

DRAWING NUMBER:

M20-783XXX

SHT
2 OF 2

HARWIN USA
TEL: 603 893 5376
FAX: 603 893 5396
mis@harwin.com

HARWIN Europe (UK)
TEL: 023 9231 4545
FAX: 023 9231 4590
mis@harwin.co.uk

HARWIN Asia
TEL: +65 6 779 4909
FAX: +65 6 779 3868
mis@harwin.com.sg