



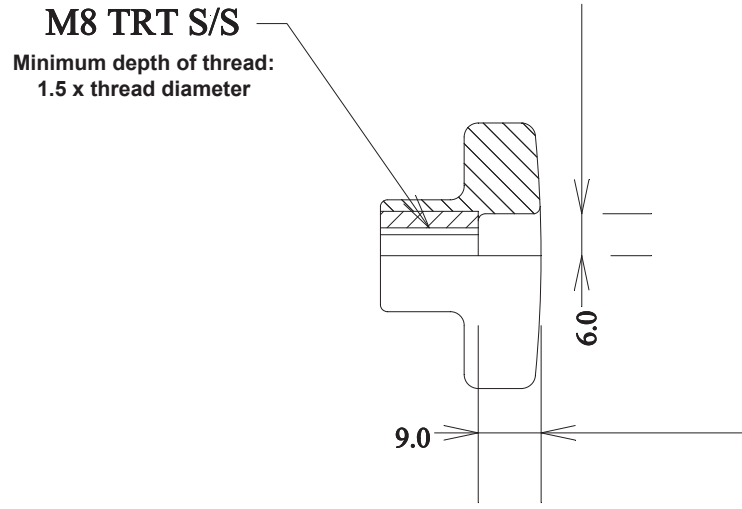
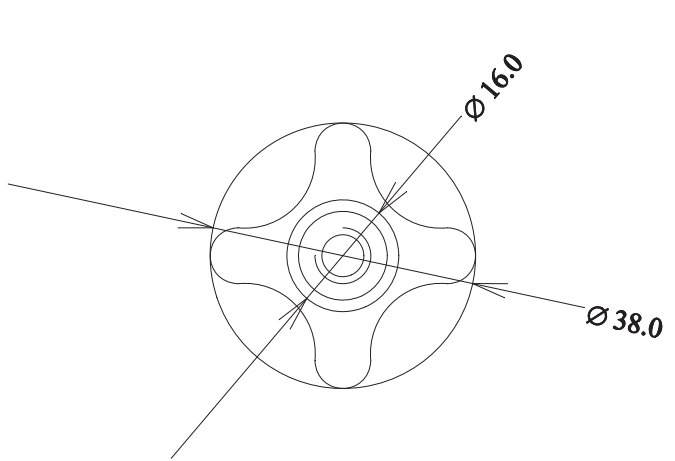
RevNo	Revision note	Date	Signature	Checked
-------	---------------	------	-----------	---------

A
B
C
D
E
F

A
B
C
D
E
F

1 2 3 4 5 6 7 8

1 2 3 4 5 6 7 8



Itemref	Quantity	Title Star Knob - Polypropylene REV.2	Article No./Reference	
Designed by	Checked by	Approved by - date	Filename	Date
				06 / 04 / 2010
			RS 7027756	
			Edition	Sheet
			1	1/1