

Main

| | |
|--|--|
| Range | TeSys |
| Product name | TeSys GS |
| Device short name | GS2K |
| Product or component type | Switch-disconnector-fuse |
| Poles description | 3P |
| Protected poles description | 3t |
| Contacts type and composition | 3 NO |
| [I _{th}] conventional free air thermal current | 125 A at 40 °C |
| [I _e] rated operational current | 125 A at 500 V on AC-23B 125 A at 500 V on AC-23A 125 A at 400 V on AC-23B 125 A at 400 V on AC-23A 100 A at 690 V on AC-23B 100 A at 690 V on AC-23A 100 A at 440 V 2 poles in series per phase on DC-23B 100 A at 440 V 2 poles in series per phase on DC-23A |
| Fuse type | NFC |
| Fuse size | 22 x 58 mm |
| Network type | AC DC |
| Network frequency | 50/60 Hz |

Complementary

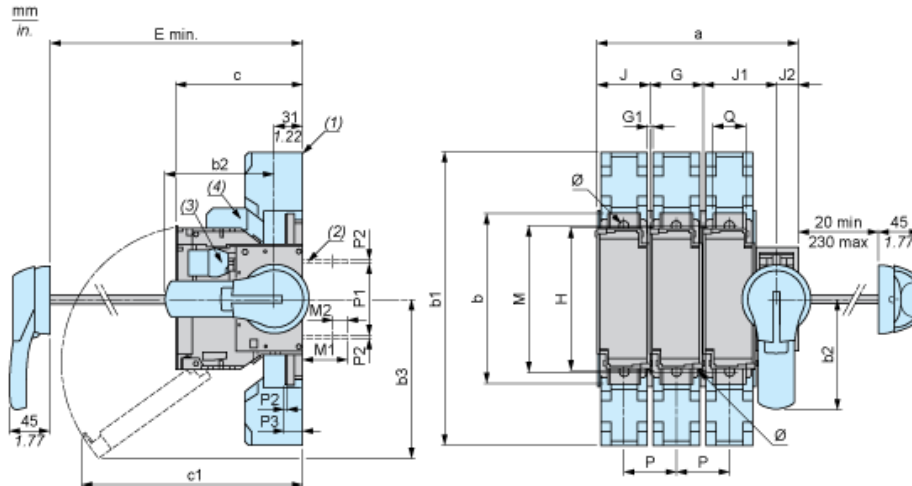
| | |
|--|--|
| Type of operating handle | External frontal External right side |
| Mounting support | Plate |
| [U _i] rated insulation voltage | 750 V AC 50/60 Hz |
| [U _{imp}] rated impulse withstand voltage | 8 kV |
| Rated operational power in W | 80 kW at 690 V 90 kW at 500 V 63 kW at 400 V |
| Making capacity | 1000 A at 400 V on AC-23B |
| [I _{cm}] rated short-circuit making capacity | 100 kA at 400 V with protection by gG fuses |
| Breaking capacity | 10000 A at 400 V on AC-23B |
| Short-circuit withstand | 20 kA |
| Mechanical durability | 10000 cycles |
| Electrical durability | On DC-23B On AC-23B On DC-23A On AC-23A |
| Connections - terminals | Power circuit : lugs-ring terminals cable 35...95 mm ² Power circuit : bars cable 20 mm ² |
| Tightening torque | Power circuit : 12 N.m |

The information provided in this documentation contains general descriptions and/or technical characteristics of the performance of the products contained herein. This documentation is not intended as a substitute for and is not to be used for determining suitability or reliability of these products for specific user applications. It is the duty of any such user or integrator to perform the appropriate and complete risk analysis, evaluation and testing of the products with respect to the relevant specific application or use thereof. Neither Schneider Electric Industries SAS nor any of its affiliates or subsidiaries shall be responsible or liable for misuse of the information contained herein.

Environment

| | |
|---------------------------------------|--|
| Standards | IEC 60947-3 |
| Product certifications | CE |
| IP degree of protection | IP20 with terminal cover conforming to IEC 60529 |
| Ambient air temperature for operation | -20...70 °C |
| Ambient air temperature for storage | -40...80 °C |
| Fire resistance | 960 °C body conforming to IEC 60695-2-1 850 °C fuse cover conforming to IEC 60695-2-1 |
| Height | 148 mm |
| Width | 162 mm |
| Depth | 116 mm |
| Product weight | 1.5 kg |

External Front and RH Side-mounted Operator



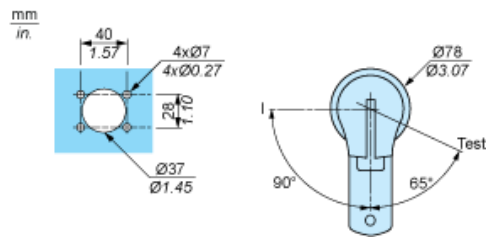
- (1) Terminal cover.
- (2) Rear access connector plates (option).
- (3) 1 to 8 auxiliary contacts GS1AM1••.
- (4) 1 to 2 auxiliary contacts GS1AF••.
- (5) 1 auxiliary contact GS1AM1••: + 23.5 mm, 2 auxiliary contacts GS1AM1••: + 47 mm.
- (6) 132 mm with 2 auxiliary contacts GS1AM1••.

In the following table the dimensions are provided in millimeters and in inches (in italic text).

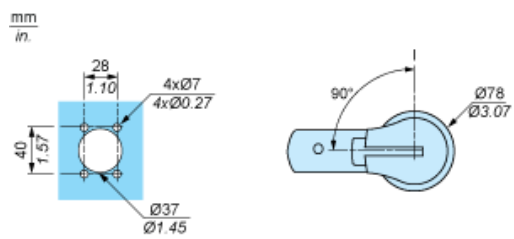
| GS2 | a | b | b1 | b2 | b3 | c | c1 | E min. | G | G1 | H | J | J1 | J2 | Ø | M | M1 | M2 | P | P1 | P2 | P3 | Q | Ø |
|------------|-------------------|-------------|--------------|-------------|-------------|----------------------|-------------|--------------------|------------|-------------|-------------|------------|------------|------------|-----------|-------------|------------|-----------|------------|------------|-------------|--------------|------------|-------------|
| F, DB | 3P 121 4.76 | 118 4.65 | - | 70 2.76 | 85 3.35 | 87 (5) 3.43 | 153 6.02 | 100 (5) 3.94 | 27 1.06 | 5.4 0.21 | 106 4.17 | 31 1.22 | 45 1.77 | 18 0.71 | 5 0.20 | - | 15 0.59 | 6 0.24 | 27 1.06 | 59 2.32 | 2 0.08 | - | 12 0.47 | - |
| 4P | 148 5.83 | 118 4.65 | - | 70 2.76 | 85 3.35 | 87 (5) 3.43 | 153 6.02 | 100 (5) 3.94 | 27 1.06 | 5.4 0.21 | 106 4.17 | 31 1.22 | 45 1.77 | 18 0.71 | 5 0.20 | - | 15 0.59 | 6 0.24 | 27 1.06 | 59 2.32 | 2 0.08 | - | 12 0.47 | - |
| G, GB | 3P 136 5.35 | 118 4.65 | - | 70 2.76 | 159 6.26 | 116.5 (6) 4.57 | 125 5.71 | 125 4.92 | 32 1.26 | 5.4 0.21 | 106 4.17 | 36 1.42 | 50 1.97 | 18 0.71 | 5 0.20 | - | 15 0.59 | 6 0.24 | 32 1.26 | 59 2.32 | 2 0.08 | - | 12 0.47 | - |
| 4P | 168 6.61 | 118 4.65 | - | 70 2.76 | 159 6.26 | 116.5 (6) 4.57 | 125 5.71 | 125 4.92 | 32 1.26 | 5.4 0.21 | 106 4.17 | 36 1.42 | 50 1.97 | 18 0.71 | 5 0.20 | - | 15 0.59 | 6 0.24 | 32 1.26 | 59 2.32 | 2 0.08 | - | 12 0.47 | - |
| J, JB, K | 3P 148 5.83 | 162 6.38 | 268 10.55 | 125 4.92 | 141 5.55 | 116 (6) 4.57 | 187 7.36 | 135 5.31 | 36 1.42 | 5.4 0.21 | 127 5.00 | 40 1.57 | 54 2.13 | 18 0.71 | 5 0.20 | 141 5.55 | 41 1.61 | 8 0.31 | 36 1.42 | 62 2.44 | 2.5 0.10 | 19.5 0.77 | 20 0.79 | 8.5 0.33 |
| 4P | 184 7.24 | 162 6.38 | 268 10.55 | 125 4.92 | 141 5.55 | 116 (6) 4.57 | 187 7.36 | 135 5.31 | 36 1.42 | 5.4 0.21 | 127 5.00 | 40 1.57 | 54 2.13 | 18 0.71 | 5 0.20 | 141 5.55 | 41 1.61 | 8 0.31 | 36 1.42 | 62 2.44 | 2.5 0.10 | 19.5 0.77 | 20 0.79 | 8.5 0.33 |
| KK, LL | 3P 148 5.83 | 162 6.38 | 268 10.55 | 125 4.92 | 141 5.55 | 126.5 (6) 4.98 | 193 7.60 | 135 5.31 | 36 1.42 | 5.4 0.21 | 127 5.00 | 40 1.57 | 54 2.13 | 18 0.71 | 5 0.20 | 141 5.55 | 41 1.61 | 8 0.31 | 36 1.42 | 62 2.44 | 2.5 0.10 | 19.5 0.77 | 20 0.79 | 8.5 0.33 |
| 4P | 184 7.24 | 162 6.38 | 268 10.55 | 125 4.92 | 141 5.55 | 126.5 (6) 4.98 | 193 7.60 | 135 5.31 | 36 1.42 | 5.4 0.21 | 127 5.00 | 40 1.57 | 54 2.13 | 18 0.71 | 5 0.20 | 141 5.55 | 41 1.61 | 8 0.31 | 36 1.42 | 62 2.44 | 2.5 0.10 | 19.5 0.77 | 20 0.79 | 8.5 0.33 |
| L, LB, LLB | 3P 190 7.48 | 162 6.38 | 268 10.55 | 125 4.92 | 174 6.85 | 136.5 (6) 5.37 | 229 9.02 | 145 5.71 | 50 1.97 | 5.4 0.21 | 140 5.51 | 54 2.13 | 64 2.52 | 18 0.71 | 5 0.20 | 141 5.55 | 41 1.61 | 8 0.31 | 50 1.97 | 62 2.44 | 2.5 0.10 | 19.5 0.77 | 20 0.79 | 8.5 0.33 |
| 4P | 240 9.45 | 162 6.38 | 268 10.55 | 125 4.92 | 174 6.85 | 136.5 (6) 5.37 | 229 9.02 | 145 5.71 | 50 1.97 | 5.4 0.21 | 140 5.51 | 54 2.13 | 64 2.52 | 18 0.71 | 5 0.20 | 141 5.55 | 41 1.61 | 8 0.31 | 50 1.97 | 62 2.44 | 2.5 0.10 | 19.5 0.77 | 20 0.79 | 8.5 0.33 |

| GS2 | | a | b | b1 | b2 | b3 | c | c1 | E min. | G | G1 | H | J | J1 | J2 | Ø | M | M1 | M2 | P | P1 | P2 | P3 | Q | Ø |
|--------------------|-------|------|-------|-------|------|------|-------|-------|-----------|------|------|------|------|------|------|------|------|------|------|------|------|------|------|------|------|
| MMB, NB, N | 3P | 234 | 195 | 345 | 125 | 185 | 146 | 251 | 154 | 60 | 6.4 | 162 | 64 | 86 | 25 | 6 | 166 | 52 | 17 | 60 | 84 | 2.5 | 19.5 | 32 | 11 |
| | | 9.21 | 7.68 | 13.58 | 4.92 | 7.28 | 5.75 | 9.88 | 6.06 | 2.36 | 0.25 | 6.38 | 2.52 | 3.39 | 0.98 | 0.24 | 6.54 | 2.05 | 0.67 | 2.36 | 3.31 | 0.10 | 0.77 | 1.26 | 0.43 |
| 4P | 294 | 195 | 345 | 125 | 185 | 146 | 251 | 154 | 60 | 6.4 | 162 | 64 | 86 | 25 | 6 | 166 | 52 | 17 | 60 | 84 | 2.5 | 19.5 | 32 | 11 | |
| | 11.57 | 7.68 | 13.58 | 4.92 | 7.28 | 5.75 | 9.88 | 6.06 | 2.36 | 0.25 | 6.38 | 2.52 | 3.39 | 0.98 | 0.24 | 6.54 | 2.05 | 0.67 | 2.36 | 3.31 | 0.10 | 0.77 | 1.26 | 0.43 | |
| PPB, QQB, QQ | 3P | 252 | 205 | 355 | 125 | 200 | 149 | 260 | 157 | 66 | 6.4 | 172 | 70 | 91 | 25 | 6 | 175 | 54 | 14.5 | 66 | 84 | 3 | 20 | 50 | 11 |
| | | 9.92 | 8.07 | 13.98 | 4.92 | 7.87 | 5.87 | 10.24 | 6.18 | 2.60 | 0.25 | 6.77 | 2.76 | 3.58 | 0.98 | 0.24 | 6.89 | 2.13 | 0.57 | 2.60 | 3.31 | 0.12 | 0.79 | 1.97 | 0.43 |
| 4P | 318 | 205 | 355 | 125 | 200 | 149 | 260 | 157 | 66 | 6.4 | 172 | 70 | 91 | 25 | 6 | 175 | 54 | 14.5 | 66 | 84 | 3 | 20 | 50 | 11 | |
| | 12.52 | 8.07 | 13.98 | 4.92 | 7.87 | 5.87 | 10.24 | 6.18 | 2.60 | 0.25 | 6.77 | 2.76 | 3.58 | 0.98 | 0.24 | 6.89 | 2.13 | 0.57 | 2.60 | 3.31 | 0.12 | 0.79 | 1.97 | 0.43 | |

Door Cut-out - For External Front-mounted Operator



Door Cut-out - For External RH Side-mounted Operator



3-pole GS

