

# WINSLOW ADAPTICs

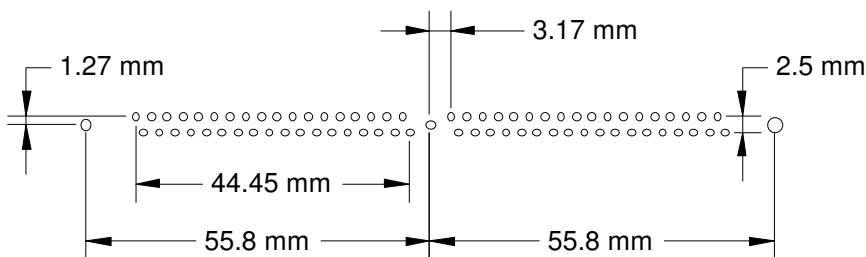
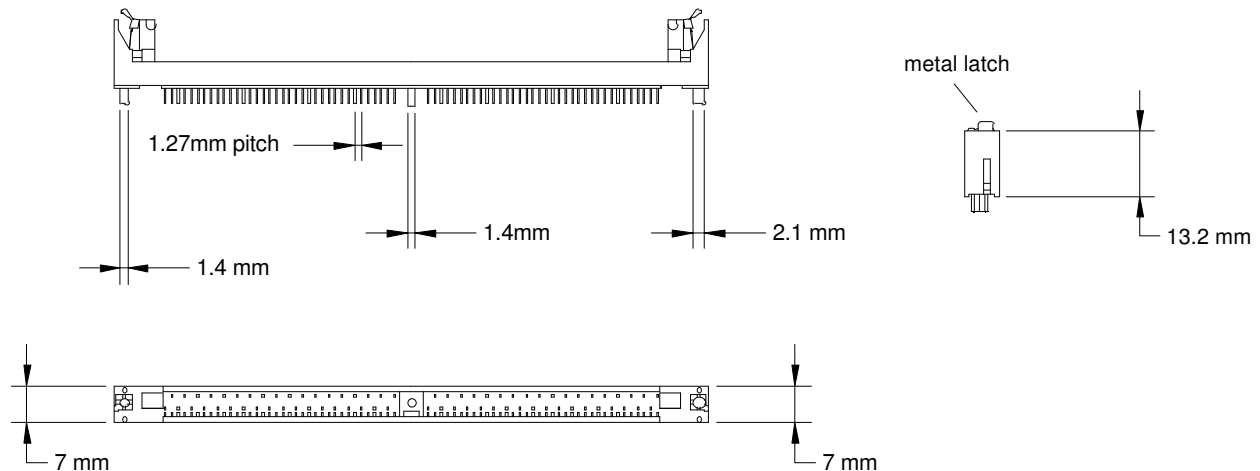
## Data Sheet – Stamped SIMM Socket WS3172SMLRC

The WS3172SMLRC Series features a metal latch and uses a phosphor bronze contact plated in 6 microns pure tin over 2.5 microns nickel. Moulding material is Liquid Crystal Polymer rated to UL 94 V-0.



### Performance Specifications

Current Rating:	1 Amp. Max.
Contact Resistance:	30mΩ max
Capacitance:	2 pF max
Operating Temperature:	-55°C to +105°C
Insulation Resistance:	10,000 MΩ Min. Initial.
Durability:	40 cycles minimum.



### PCB Drilling

Top View.  
Plated hole diameter:  
1.02mm diameter +/- 0.10  
(.040" diameter +/- 0.004")