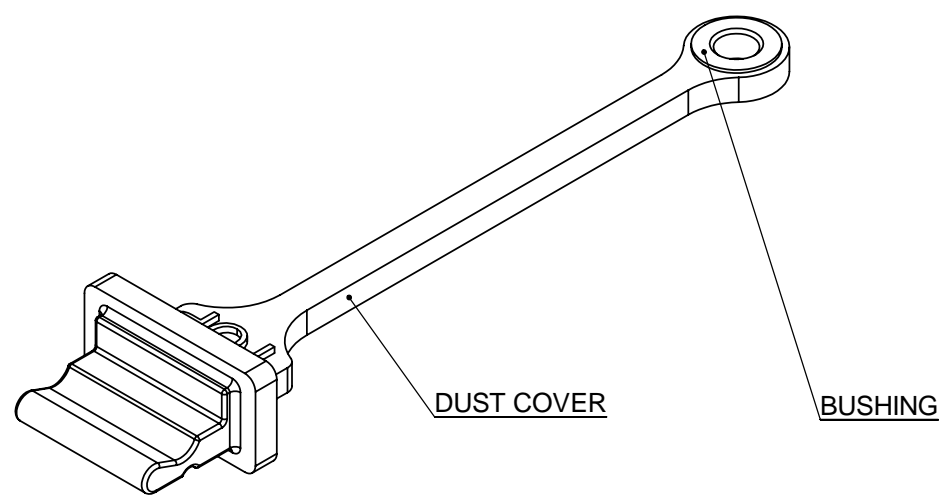


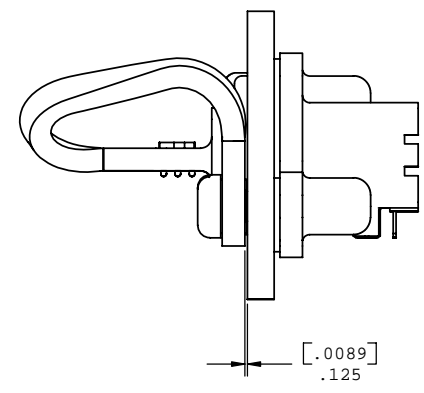
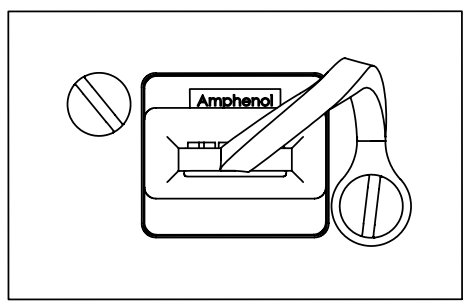
TABLE 1	
PART NUMBER FOR ORDER	COLOR
MUSB-2A111-014-BP	GREY
MUSB-2A111-024-BP	BLACK



NOTES:

- MATERIAL:
  - DUST COVER - SILICONE RUBBER, COLOR - SEE TABLE 1.
  - BUSHING - BRASS, NICKEL PLATED.
- OPERATING TEMPERATURE: -40°C TO +105°C.
- PART IS ROHS COMPLIANT PER EU DIRECTIVE 2002/95/EC AND AMENDMENTS.

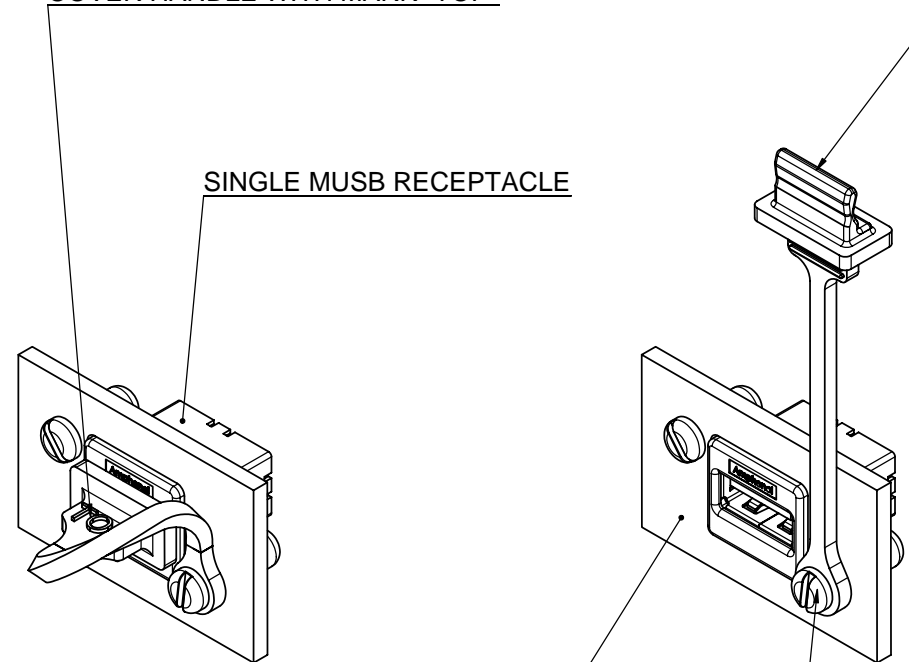
UNLESS OTHERWISE SPECIFIED DIMENSIONS ARE IN MILLIMETER TOLERANCES ARE: DECIMALS .XX ±.10 .X ±.25 ANGLES ± 1°	APPROVALS	DATE	<b>Amphenol Canada Corp.</b>		
	DRAWN S.SEMENOV	APR24/06			
MATERIAL AND FINISH	DESIGNED S.SEMENOV	APR24/06	TITLE MUSB TYPE A CONNECTOR WITH DUST COVER		
	CHECKED		SIZE C	DWG. NO. P-MUSB-2A111-0X4	REV. 3
REF.	QA APP'D		SCALE 4:1	PROJECT MUSB	SHEET 1 OF 3
CODE IDENT. NO.	DWG APP'D K.BOUTROS	APR24/06			



COVER HANDLE WITH MARK "TOP"

DUST COVER

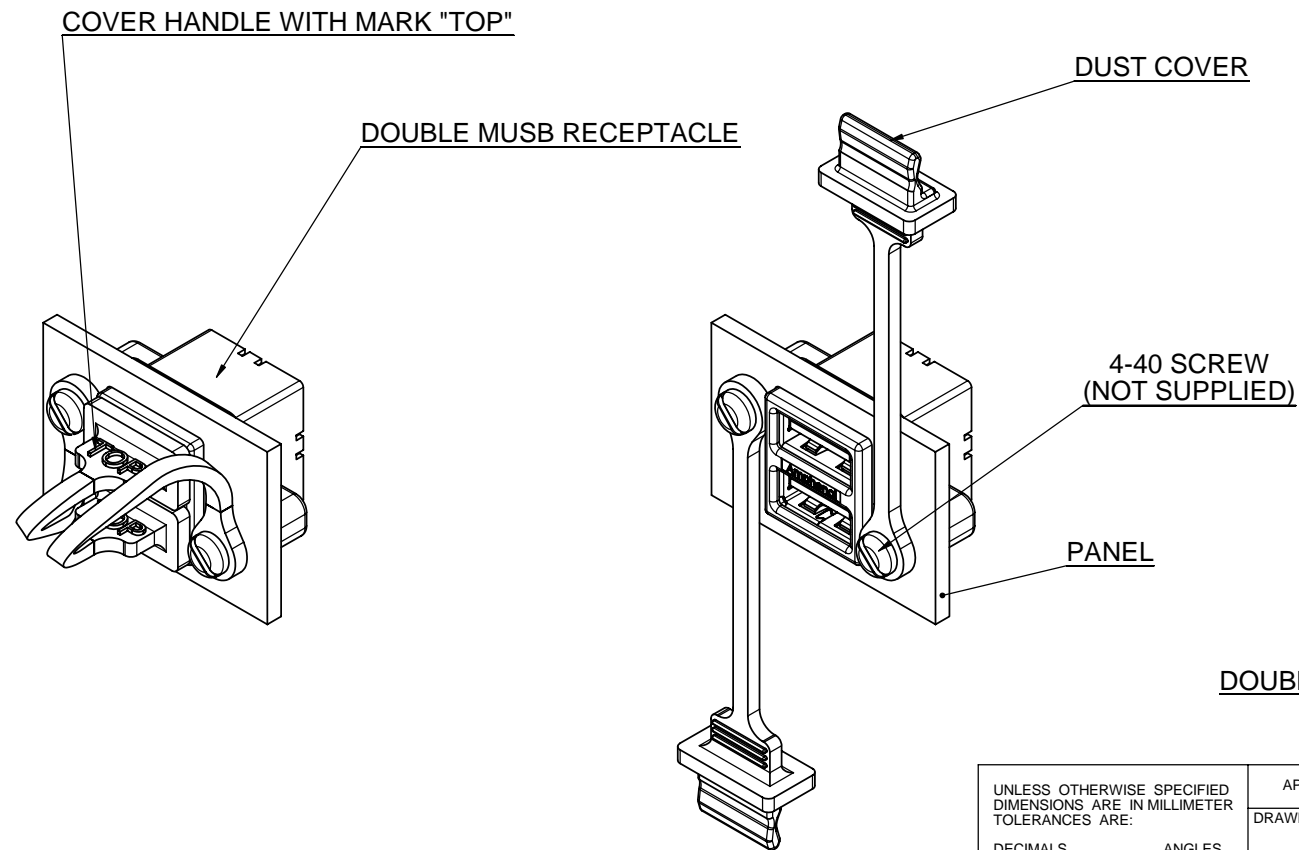
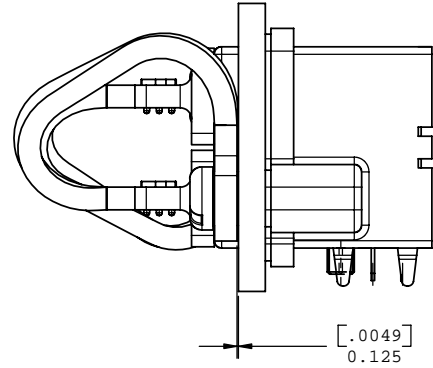
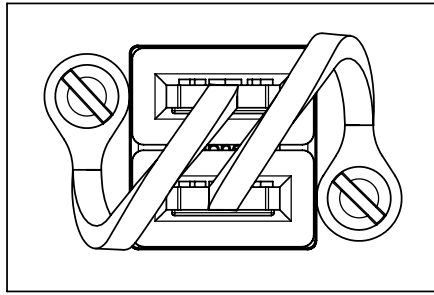
SINGLE MUSB RECEPTACLE



SINGLE MUSB WITH DUST COVER

PANEL  
4-40 SCREW  
(NOT SUPPLIED)

UNLESS OTHERWISE SPECIFIED DIMENSIONS ARE IN MILLIMETER TOLERANCES ARE:  DECIMALS                      ANGLES .XX ±.10                            ± 1° .X    ±.25	APPROVALS	DATE	<b>Amphenol Canada Corp.</b>		
	DRAWN S.SEMENOV	APR24/06			
MATERIAL AND FINISH	DESIGNED S.SEMENOV	APR24/06	SIZE C	DWG. NO. P-MUSB-2A111-0X4	REV. 3
	CHECKED		SCALE 1:0.3	PROJECT MUSB	SHEET 2 OF 3
REF.	QA APP'D				
CODE IDENT. NO.	IE APP'D				
	DWG APP'D K.BOUTROS	APR24/06			



**DOUBLE MUSB WITH DUST COVER**

UNLESS OTHERWISE SPECIFIED DIMENSIONS ARE IN MILLIMETER TOLERANCES ARE:  DECIMALS                      ANGLES .XX ±.10                            ± 1° .X    ±.25		APPROVALS	DATE	<b>Amphenol Canada Corp.</b>		
		DRAWN S.SEMENOV	APR24/06			
MATERIAL AND FINISH		DESIGNED S.SEMENOV	APR24/06	TITLE  MUSB TYPE A CONNECTOR WITH DUST COVER		
		CHECKED				
REF.		QA APP'D		SIZE C	DWG. NO. P-MUSB-2A111-0X4	REV. 3
		IE APP'D		SCALE 1:0.3	PROJECT MUSB	SHEET 3 OF 3
CODE IDENT. NO.		DWG APP'D K.BOUTROS	APR24/06			

DO NOT SCALE DRAWING  
THIS DOCUMENT CONTAINS PROPRIETARY INFORMATION AND SUCH INFORMATION MAY NOT BE DISCLOSED TO OTHERS FOR ANY PURPOSE OR USED FOR MANUFACTURING PURPOSES WITHOUT PERMISSION FROM AMPHENOL CANADA CORP.