



### V7-1C17D8-201



*Actual product appearance may vary.*

**V7 Series Miniature Basic Switch, Single Pole Double Throw Circuitry, 15 A at 277 Vac, Roller Lever Actuator, 1,72 N [6.2 oz] Maximum Operating Force, Silver Contacts, Quick Connect Termination**

#### V7 Series Features

- World-wide package size acceptance
- Current rating ranges from 0.1 A to 25 A
- Wiping contact action
- Temperature range to 177 °C [350 °F]
- Long mechanical life
- Elongated mounting holes for easier, more accurate mounting
- UL/CSA recognized, ENEC (European) approval available
- Choice of actuation, termination and operating characteristics

#### Potential Applications

- Appliances
- Vending machines
- Timing devices
- Office equipment
- Computer/business equipment
- Test instruments
- Medical/dental equipment
- Communications equipment
- HVAC equipment
- Manually operated devices
- Valves
- Gaming equipment
- Pressure switches

#### Description

MICRO SWITCH™ V5 and V7 Series basic switches are used for simple or precision on/off, end of limit, presence/absence, pressure, temperature and manual operator interface application needs.

Product Specifications	
Switch Type	MICRO SWITCH™ Miniature 15,9 mm H x 10,2 mm W x 28,8 mm L [0.63 in H x 0.4 in W x 1.14 in L]
Sealed	No
Ampere Rating	15 A
Circuitry	Single Pole Double Throw (SPDT)
Actuator	Roller Lever
Termination	Quick Connect
Operating Temperature Range	-40 °C to 82 °C [-40 °F to 180 °F]
Voltage	277 Vac
Approvals	CSA, UL
Actuator Length	20,6 [0.81 in]
Contact Type	Silver

Operating Force (O.F.)	1,72 N [6.2 oz] max.
Release Force (R.F.)	0,19 N [0.7 oz] min.
Pretravel (P.T.)	1,19 mm [0.047 in] max.
Overtravel (O.T.)	0,81 mm [0.032 in] min.
Differential Travel (D.T.)	0,30 mm [0.012] max.
Operating Position (O.P.)	20,6 ± 0,762 mm [0.810 ± 0.030 in]
Housing Material	PCT PolyesterThermoplastic
High Temperature	85 °C [185 °F]
CE mark	61058-1
UL File #	E12252
CSA File #	LR41370
Agency Approvals and Standards	1054
Mounting Centers	22,2 mm [0.88 in]
Maximum Tightening Torque	0,56 N m [5.0 in lb]
Weight	8 g [0.3 oz]
Package Height	16 mm [0.63 in]
Package Width	10,2 mm [0.40 in]
Package Length	27,7 mm [1.09 in]
Availability	Global
UNSPSC Code	30211905
UNSPSC Commodity	30211905 Snap switches
Series Name	V7

**MICRO SWITCH**  
a Honeywell Division

FED. MFG. CODE 91929

SWITCH - BASIC

CATALOG LISTING

V7-1C17D8-201

CW-B1652

CATALOG LISTING

V7-1C17D8-201

REPLACES

RELEASE NO. PR-19218

CHECK

CHECK

CHECK

CHECK

CHECK

CHECK

CHECK

CHECK

ISSUE

2

REVISIONS

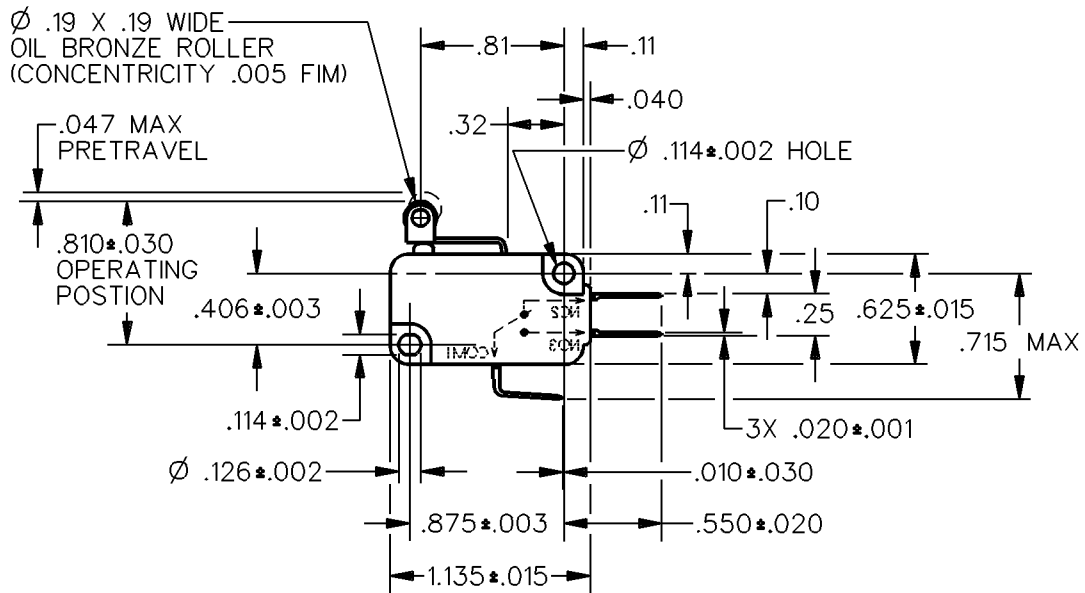
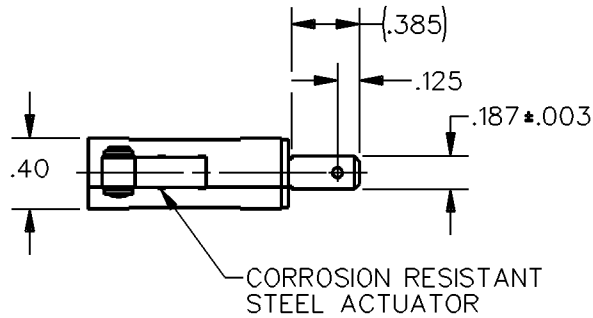
A	CO
	76418
	DCS
	10 DEC 93

DDM/CAD

DRAWN

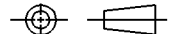
WJC 11 JUN 91

ANSI Y14.5M-1982 APPLIES



THIS DRAWING COVERS A PROPRIETARY ITEM AND IS THE PROPERTY OF MICRO SWITCH, A DIVISION OF HONEYWELL. THIS DRAWING IS NOT TO BE COPIED OR USED WITHOUT THE APPROVAL OF MICRO SWITCH.

THIRD ANGLE PROJECTION



CHARACTERISTICS

OPERATING FORCE --- 175 GRAMS MAX  
RELEASE FORCE --- 19 GRAMS MIN  
DIFFERENTIAL TRAVEL --- .012 MAX  
OVERTRAVEL --- .032 MIN  
RELEASE TRAVEL --- .007 MIN

ELECTRICAL DATA

CONTACT ARRANGEMENT  
S P D T  
L215  
15.1A 1/2HP 125, 250 OR 277 VAC  
1/2A 125 VDC  
1/4A 250 VDC; 5A 120 VAC "L"

SCALE FULL DO NOT SCALE PRINT

**UNLESS OTHERWISE SPECIFIED TOLERANCES ARE**  
ONE PLACE (.0) ± .030  
TWO PLACE (.00) ± .015  
THREE PLACE (.000) ± .005  
ANGLES ±  
WEIGHT

