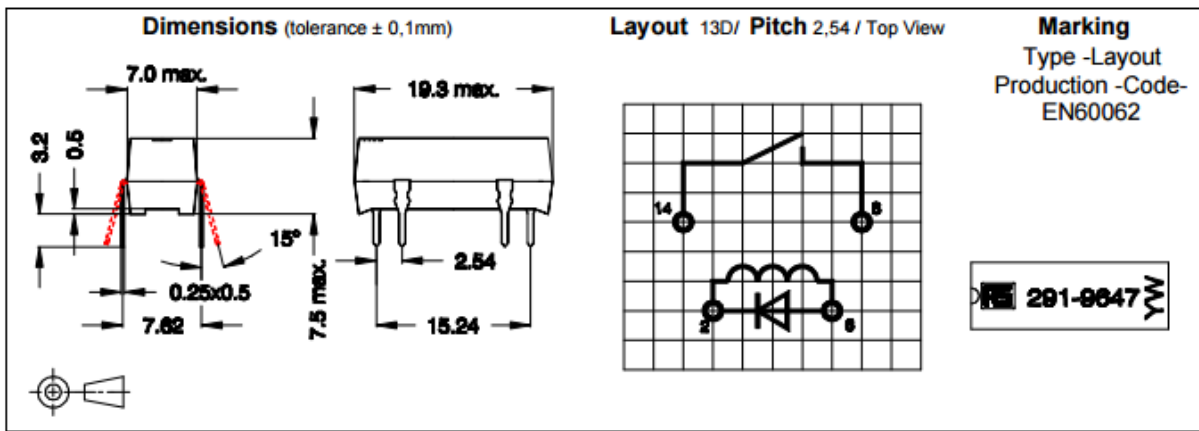


# Datasheet

## SPST-NO Reed Relay, 500 mA, 24V dc

RS Stock number [291-9647](#)

Dimensions: mm



Coil/Relay Characteristics	Conditions at 20°C	Min.	Typ.	Max.	Units
Coil Resistance		1800	2000	2200	$\Omega$
Nominal Voltage			24,0		VDC
Nominal Rated Power			288		mW
Thermal Resistance			90		K/W
Operate Voltage				16,8	VDC
Release Voltage		3,6			VDC

Contact Data 84 (Form A/Dry)					
Contact Rating	Any combination of the switching voltage and current must not exceed the given rated power			10	W
Switching Voltage	DC or Peak AC			300	V
Switching Current	DC or Peak AC			0,5	A
Carry Current	DC or Peak AC			1,0	A
Static Contact Resistance (initial)	Measured with Nominal Voltage			150	m $\Omega$
Insulation Resistance	RH 45%	$10^{11}$			$\Omega$
Breakdown Voltage		700			VDC
Operate Time, including Bounce	Measured with Nominal Voltage			2,0	ms
Release Time	Measured with no coil suppression			0,25	ms
Capacitance			0,7		pF

Environmental Data					
Insulation Resistance Coil to Contact	RH 45%	$10^{11}$			$\Omega$
Dielectric Strength Coil to Contact		4,25			kV DC
Shock	½ sine wave, duration 11ms			50	g
Vibration	from 10 - 2000 Hz			10	g
Operating Temperature	10°C/min max. allowable	-20		70	°C
Storage Temperature	10°C/min max. allowable	-35		95	°C
Soldering Temperature	5 sec. at			260	°C
Cleaning					fully sealed
Material of Case					mineral-filled epoxy
Material of Pins					Cu-alloy tinned