
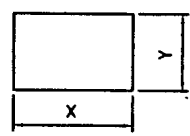
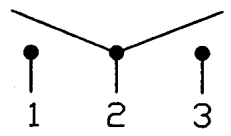
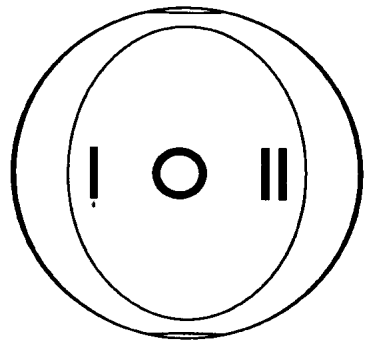
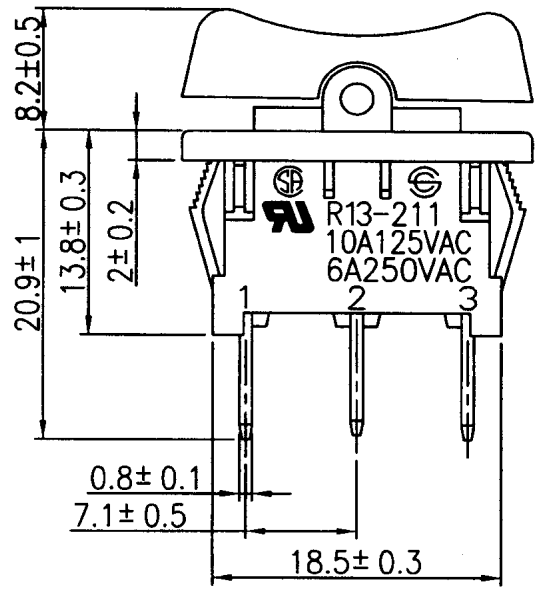


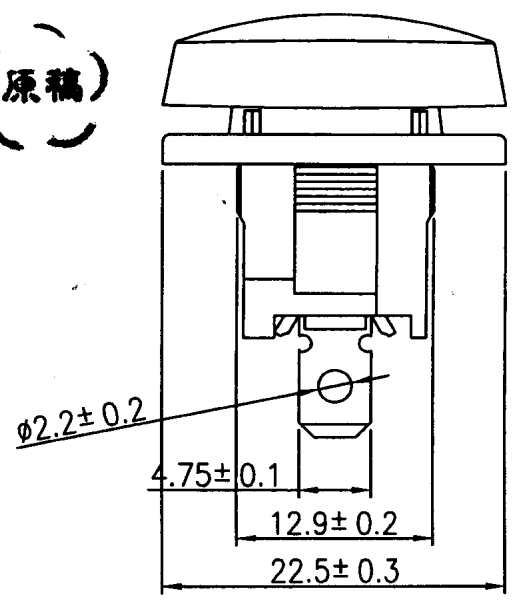
Rating	10A 125V, 6A 250V AC 	Mounting Hole	Circuit Diagram	
Contact R	50m ohm Max.			
Insulation R	DC 500V 100M ohm Min.			
Dielectric Strength	AC 1500V 1 minute			
Operation Temperature	-20°C~85°C			
Circuit	3P SPDT ON-OFF-ON			
		Thickness	X	Y
		0.75...1.25	19.2-0.1	13+0.1
		1.25...2.0	19.4-0.1	13+0.1
		2.0...3.0	19.8-0.1	13+0.1



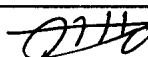
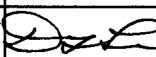

Descriptions:  
 Frame: Black, Nylon-66 (94V-2)  
 Actuator: Black, Nylon-66 (94V-2)  
 Terminals: Silver plated copper  
 Printed: White, 1 0 11



(原稿)



C8\R13\R13-211D-02(ON-OFF-DOOR)

					△	
					△	
					NO	
Date	Name	Descriptions				
Drawing	Check	Approval	SCI No.	1821029	Model Name	ROCKER SWITCH
徐洲迎			Customer No.		Model No.	R13-211D-02-BBNN-6
7/11/06	8/28-06		Unit	mm		