

SF-7EP1N8AAD00

Order No.: 1605586



Commercial data	
EAN	4046356182201
Pack	16 pcs.
Customs tariff	85366990
Weight/Piece	0.12843 KG
Catalog page information	Page 57 (PC-2009)

Product notes

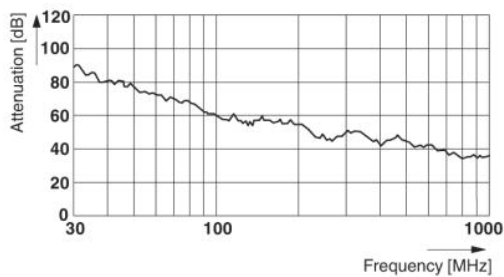
WEEE/RoHS-compliant since: 01/01/2003



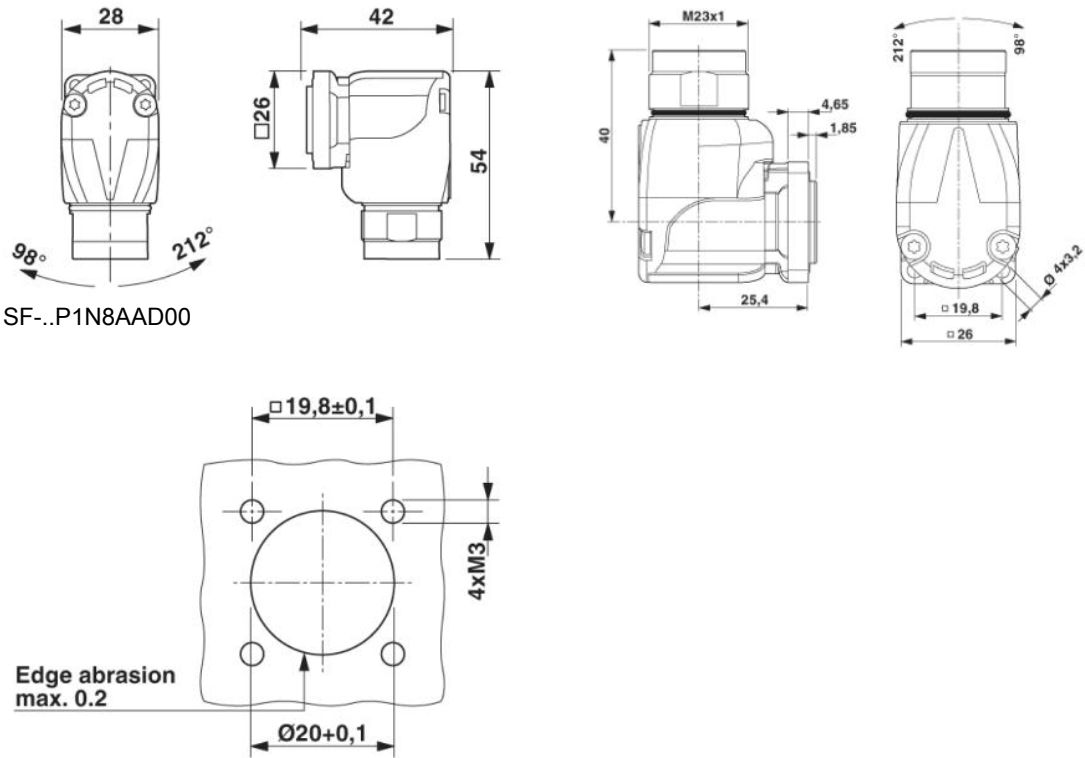
<http://www.download.phoenixcontact.com>
Please note that the data given here has been taken from the online catalog. For comprehensive information and data, please refer to the user documentation. The General Terms and Conditions of Use apply to Internet downloads.

Diagrams/Drawings

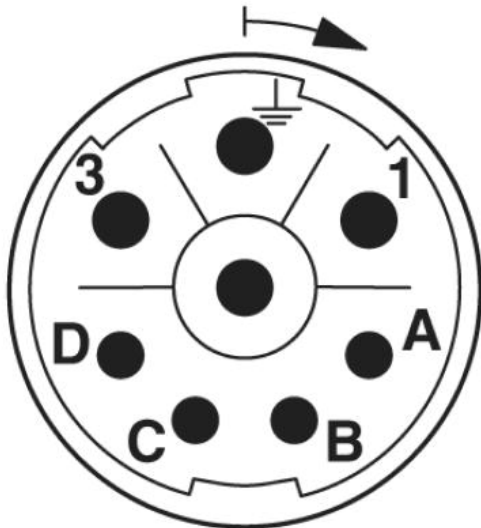
Diagram



Dimensioned drawing



Schematic diagram



Address

PHOENIX CONTACT Inc., USA
586 Fulling Mill Road
Middletown, PA 17057, USA
Phone (800) 888-7388
Fax (717) 944-1625
<http://www.phoenixcon.com>



© 2010 Phoenix Contact
Technical modifications reserved;