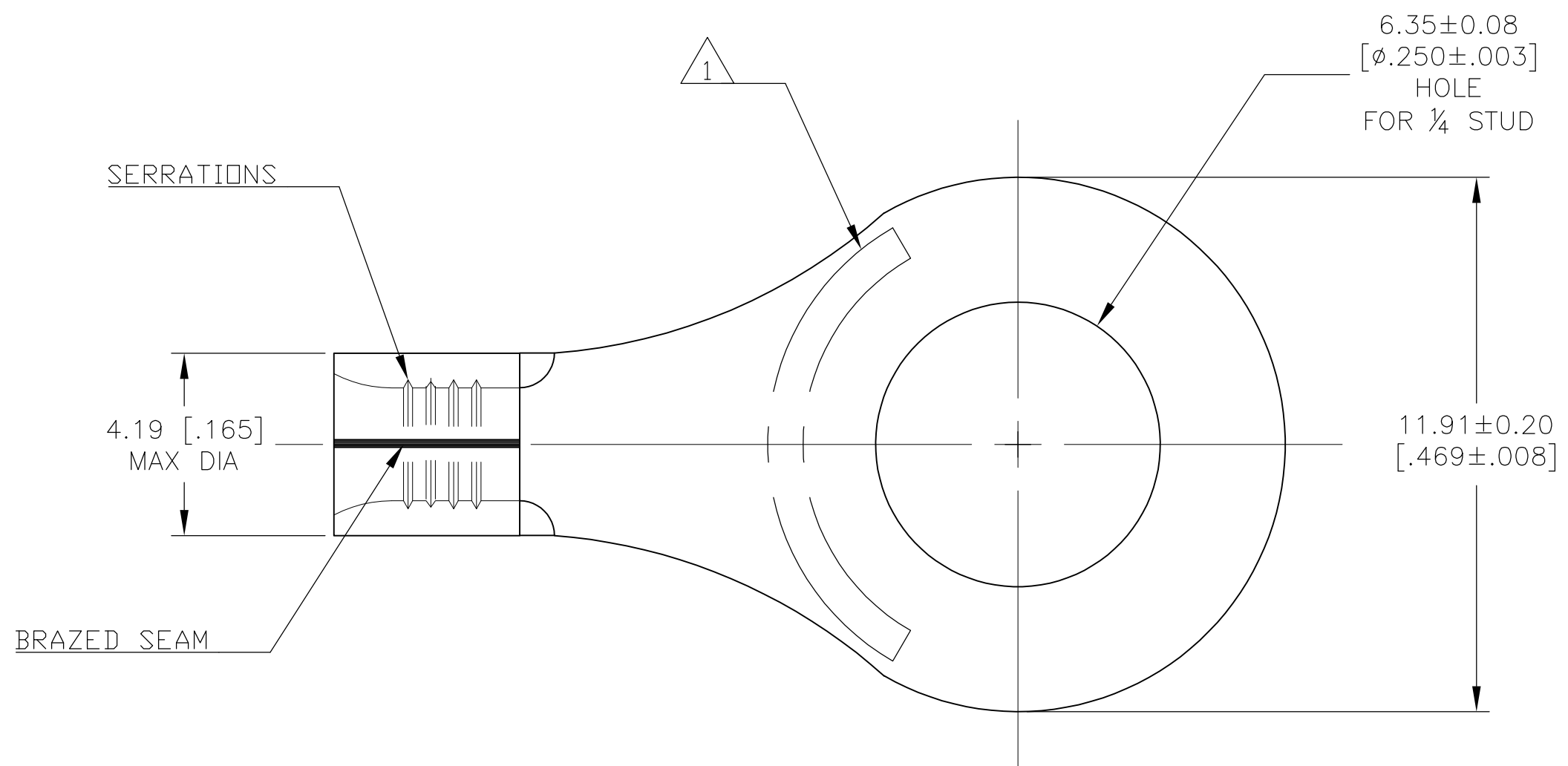


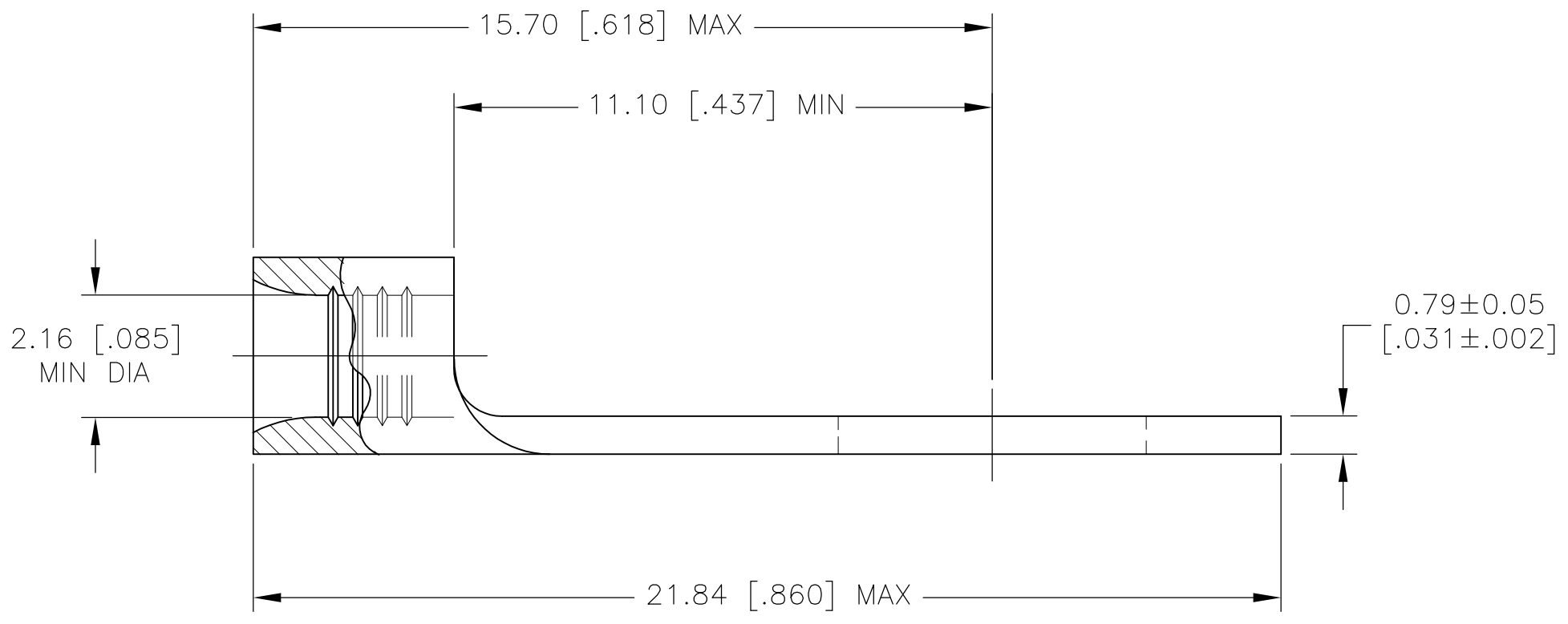
THIS DRAWING IS UNPUBLISHED. RELEASED FOR PUBLICATION  
 © COPYRIGHT BY TYCO ELECTRONICS CORPORATION. ALL INTERNATIONAL RIGHTS RESERVED.

LOC	DIST	REVISIONS			
P	LTR	DESCRIPTION	DATE	DWN	APVD
G	14	B	DRAWN	01MAR10	JR TM



<b>AMP</b> WIRE RANGE	Listed FILE E13288	LR7189 Certified
16-14 AWG SOLID OR STRANDED	16-14 AWG SOLID OR STRANDED	16-14 AWG SOLID OR STRANDED

- △1 STAMP AMP 16-14\* APPROX AS SHOWN
- △2 0.00254 [.000100] MIN TIN PER ASTM B-545.
- △3 SUPERSEDED BY 130130



FINISH	QTY	PACKAGING TYPE	PART NO.
△2	100	LOOSE PIECE, BOX	8-130130-1
△2	5000	ON TAPE	2-130130-1
△2	1000	LOOSE PIECE	130130

<b>AMP INCORPORATED CUSTOMER SERVICE SYSTEMS</b>		MAX RECOMMENDED OPERATING TEMPERATURE: 105°C [221° F]	THIS DRAWING IS A CONTROLLED DOCUMENT.		DWN JR RUTH 01MAR10	Tyco Electronics Corporation Harrisburg, PA 17105-3608
FOR ADDITIONAL PRODUCT INFORMATION OR COPIES OF DRAWINGS AND TECHNICAL DOCUMENTS	PRODUCT INFORMATION CENTER 1-800-522-6752	VOLTAGE RATING: 600V MAX (1000V FIXTURE OR SIGN)	DIMENSIONS: MM [ INCHES ]	TOLERANCES UNLESS OTHERWISE SPECIFIED:	CHK TOM MICHELUTTI 01MAR10	
FOR APPLICATION	TOOLING ASSISTANCE CENTER 1-800-722-1111	CIRCULAR MIL AREA: 1.04-2.62mm² [2,050-5,180] SOLID OR STRANDED		0 PLC ± - 1 PLC ± - 2 PLC ± 0.20 [.008] 3 PLC ± - 4 PLC ± - ANGLES ± -	APVD TOM MICHELUTTI 01MAR10	NAME TERMINAL, RING TONGUE, SOLISTRAND
TOOLING INFORMATION	1-800-722-1111		MATERIAL COPPER PER ASTM B-152 ANNEALED	FINISH SEE TABLE	PRODUCT SPEC APPLICATION SPEC	SIZE A2
FOR ORDER ENTRY	1-800-526-5142	THIS DRAWING IS A CONTROLLED DOCUMENT FOR AMP INCORPORATED. IT IS SUBJECT TO CHANGE AND THE CONTROLLING ENGINEERING ORGANIZATION SHOULD BE CONTACTED FOR THE LATEST REVISION.			WEIGHT -	CAGE CODE 00779
						DRAWING NO 130130
						RESTRICTED TO -
						SCALE 8:1
						SHEET 1 of 1
						REV B

130130