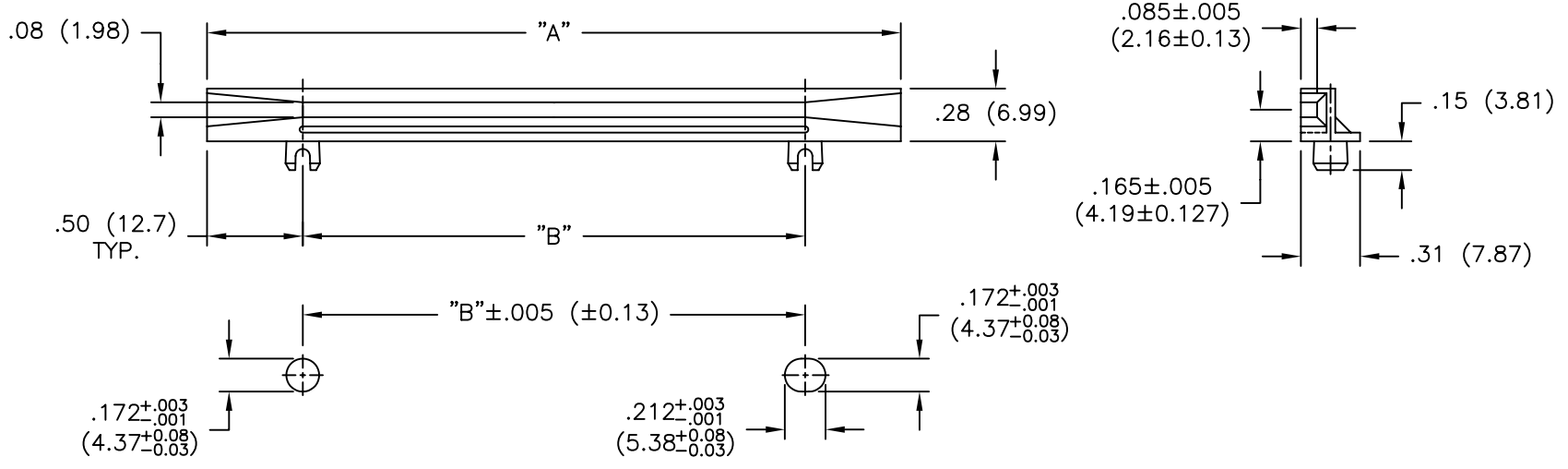

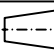



| PART NO.      | DIM. "A" ±.016<br>(±0.41) | DIM. "B" ±.016<br>(±0.41) |
|---------------|---------------------------|---------------------------|
| RSSHG-201-165 | 2.0 (50.8)                | 1.0 (25.4)                |
| RSSHG-251-165 | 2.5 (63.5)                | 1.5 (38.1)                |
| RSSHG-301-165 | 3.0 (76.2)                | 2.0 (50.8)                |
| RSSHG-351-165 | 3.5 (88.9)                | 2.5 (63.5)                |
| RSSHG-401-165 | 4.0 (101.6)               | 3.0 (76.2)                |
| RSSHG-451-165 | 4.5 (114.3)               | 3.5 (88.9)                |
| RSSHG-501-165 | 5.0 (127.0)               | 4.0 (101.6)               |
| RSSHG-551-165 | 5.5 (139.7)               | 4.5 (114.3)               |
| RSSHG-601-165 | 6.0 (152.4)               | 5.0 (127.0)               |



RECOMMENDED MOUNTING HOLES  
 PANEL THICKNESS: .047-.090 (1.2-2.3)

- NOTES:  
 1. MATERIAL: FLAME RETARDANT NYLON 6/6 (RMS-66).  
 2. COLOR: BLACK.

|  |                                |             |   |  |                   |   |            |
|--|--------------------------------|-------------|---|--|-------------------|---|------------|
| TITLE: SINGLE SIDED HORIZONTAL CARD GUIDE    |                                |             |   |  | DWG IN<br>IN (MM) |  |            |
| TOLERANCES UNLESS NOTED .XX=±.01 (X.XX)=±0.5 |                                |             | FILE # RSSHG  | DWN: SM  | DT: 12/17/01      | FINAL   |            |
| A  |                                |             | MAT'L: SEE NOTES  | CHKD:  | ENGR: RT          | PART #  |            |
| REV  |                                |             | RE: RICHCO, INC.  | RICHCO INC.<br>PO BOX 804238, CHICAGO, 60680<br>(773) 539-4060 |                   | SEE TABLE   |            |
| B  | SEE ECN #874 FOR CHANGES       | SM 10.27.04 |   |  |                   |   | PRINT TYPE |
| A  | REDRAWN FROM UK PRINT (REV. A) | SM 12.17.01 |   |  |                   |   | CA         |
| REV  | DESCRIPTION                    | ENGR DATE   |   |  |                   |   |            |