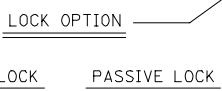
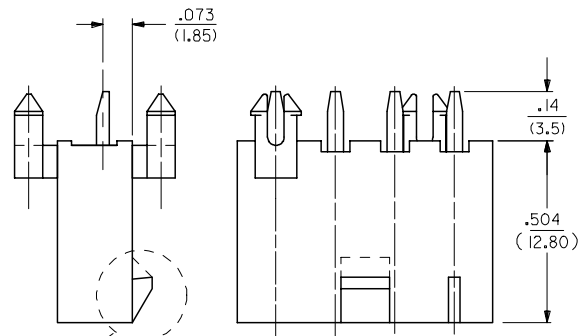
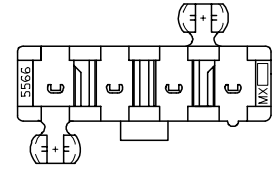


13 12 11 10 9 8 7 6 5 4 3 2 1

- NOTES:
- MATERIALS:
HOUSING:
"BLANK"=NYLON 6/6, UL94 V-2, COLOR: NATURAL
"210"=NYLON 6/6, UL94 V-0, COLOR: NATURAL
"BL"=NYLON 6/6, UL94 V-2, COLOR: BLACK
TERMINALS:
BRASS
 - TERMINAL PLATING:
"BLANK"=.000035/(0.00090) MIN. BRIGHT TIN OVER
.000020/(0.00050) MIN. COPPER
*GS2=.000015/(0.00038) MIN. SELECT GOLD AND
.000100/(0.00254) MIN. SELECT MATTE TIN
OVER .000050/(0.00127) MIN. NICKEL OVERALL
*GS=.000030/(0.00076) MIN. SELECT GOLD AND
.000100/(0.00254) MIN. SELECT MATTE TIN
OVER .000050/(0.00127) MIN. NICKEL OVERALL
S=.000100/(0.00254) MIN. BRIGHT TIN OVER
.000050/(0.00127) MIN. NICKEL
*THE PRIMARY SHIPPING CARTON WILL BE LABELED
"ELV AND RoHS COMPLIANT". CARTONS WITHOUT
THIS LABEL MAY CONTAIN PRODUCT WITH
TIN-LEAD PLATING.
 - PRODUCT SPECIFICATION: PS-5566-001
 - PACKAGING: TRAY PACKED PER PK-5566-002
 - PART MATES WITH MINI-FIT JR. RECEPTACLE NO. 5557.
 - PART IS NOT DESIGNED FOR CURRENT SHARING.
 - PARTS ARE NOT TO BE MATED OR UN-MATED WHILE
CIRCUITS ARE LIVE.
 - PART CONFORMS TO CLASS "B" REQUIREMENTS OF
COSMETIC SPECIFICATION PS-45499-002.

CKT SIZE	DIM A	DIM B
4	.709 (18.00)	.496 (12.60)
5	.874 (22.20)	.661 (16.80)
6	1.039 (26.40)	.827 (21.00)
7	1.205 (30.60)	.992 (25.20)
8	1.370 (34.80)	1.157 (29.40)
9	1.535 (39.00)	1.323 (33.60)
10	1.701 (43.20)	1.488 (37.80)
11	1.866 (47.40)	1.654 (42.00)
12	2.031 (51.60)	1.819 (46.20)



LEGEND:

5566 - N * * * *

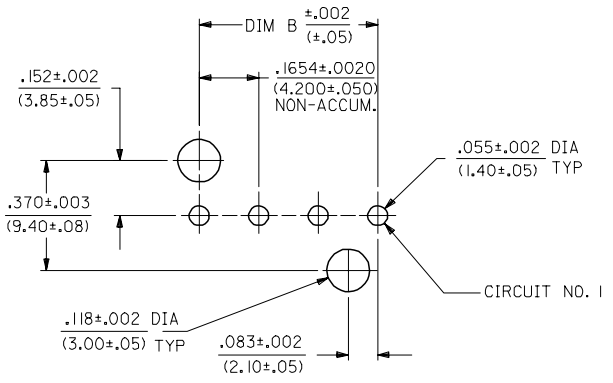
CIRCUIT SIZE (04-12)

ASSEMBLY TYPE
A=W/O DRAIN HOLES
B=WITH DRAIN HOLES

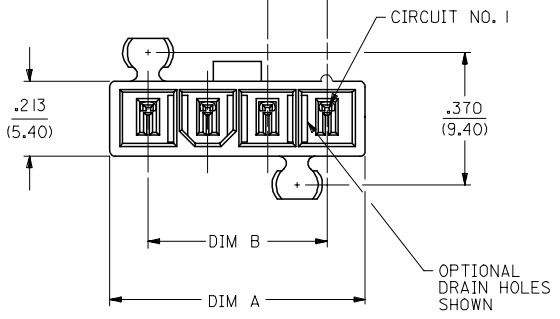
PEG AND LOCK OPTION
3=MTG. PEGS, POSITIVE LOCK
4=MTG. PEGS, PASSIVE LOCK

PLATING (SEE NOTE 2)

HOUSING MAT'L (SEE NOTE 1)



RECOMMENDED HOLE LAYOUT FOR
.070/(1.78) MAX. THICK P. C. BOARD
VIEWED FROM COMPONENT SIDE



4	K1
3	K1
2	K1
1	L
SHEET	REV

TRAY PACKAGING EC NO: UCP2008-0153 DRW:NLSCHM1DT 2007/09/26 CHKD:ADERR 2007/09/26 APPR:FSM TH 2007/09/26 REVISIONS DESCRIPTION	QUALITY SYMBOLS 	GENERAL TOLERANCES (UNLESS SPECIFIED) <table border="1"> <thead> <tr> <th></th> <th>mm</th> <th>INCH</th> </tr> </thead> <tbody> <tr> <td>4 PLACES ±</td> <td>±</td> <td>±</td> </tr> <tr> <td>3 PLACES ±</td> <td>±.015</td> <td>±</td> </tr> <tr> <td>2 PLACES ±</td> <td>±0.38</td> <td>±</td> </tr> <tr> <td>1 PLACE ±</td> <td>±</td> <td>±</td> </tr> </tbody> </table>		mm	INCH	4 PLACES ±	±	±	3 PLACES ±	±.015	±	2 PLACES ±	±0.38	±	1 PLACE ±	±	±	DIMENSION STYLE IN/MM	SCALE 4:1	DESIGN UNITS METRIC	THIRD ANGLE PROJECTION
		mm	INCH																		
4 PLACES ±	±	±																			
3 PLACES ±	±.015	±																			
2 PLACES ±	±0.38	±																			
1 PLACE ±	±	±																			
DRAWN BY KSS DATE 1989/02/19	CHECKED BY JTR DATE 1989/02/19	APPROVED BY RAS DATE 1989/02/19	MATERIAL NO. SEE CHART	DOCUMENT NO. SDA-5566-NL*	SHEET NO. 1 OF 4	TITLE VERTICAL HEADER ASSY W/ PEG AND DRAIN OPTIONS MINI-FIT JR SINGLE ROW MOLEX INCORPORATED															

12 11 10 9 8 7 6 5 4 3 2 1

13	12	11	10	9	8	7
PASSIVE LOCK WITH MTC, PEGS, 94V-2 HOUSING MATERIAL						
PART NO	ENG NO	CKT DRAIN SIZE/HOLE	PLATING OPTION			
NO E.D.P.	5566-04B4	4	YES TIN OVER COPPER			
NO E.D.P.	5566-05B4	5	YES TIN OVER COPPER			
NO E.D.P.	5566-06B4	6	YES TIN OVER COPPER			
NO E.D.P.	5566-07B4	7	YES TIN OVER COPPER			
NO E.D.P.	5566-08B4	8	YES TIN OVER COPPER			
NO E.D.P.	5566-09B4	9	YES TIN OVER COPPER			
NO E.D.P.	5566-10B4	10	YES TIN OVER COPPER			
NO E.D.P.	5566-11B4	11	YES TIN OVER COPPER			
NO E.D.P.	5566-12B4	12	YES TIN OVER COPPER			
NO E.D.P.	5566-04A4	4	NO TIN OVER COPPER			
NO E.D.P.	5566-05A4	5	NO TIN OVER COPPER			
NO E.D.P.	5566-06A4	6	NO TIN OVER COPPER			
NO E.D.P.	5566-07A4	7	NO TIN OVER COPPER			
NO E.D.P.	5566-08A4	8	NO TIN OVER COPPER			
NO E.D.P.	5566-09A4	9	NO TIN OVER COPPER			
NO E.D.P.	5566-10A4	10	NO TIN OVER COPPER			
NO E.D.P.	5566-11A4	11	NO TIN OVER COPPER			
NO E.D.P.	5566-12A4	12	NO TIN OVER COPPER			
NO E.D.P.	5566-04B4GS	4	YES 30 MI. SELECT GOLD			
NO E.D.P.	5566-05B4GS	5	YES 30 MI. SELECT GOLD			
NO E.D.P.	5566-06B4GS	6	YES 30 MI. SELECT GOLD			
NO E.D.P.	5566-07B4GS	7	YES 30 MI. SELECT GOLD			
NO E.D.P.	5566-08B4GS	8	YES 30 MI. SELECT GOLD			
NO E.D.P.	5566-09B4GS	9	YES 30 MI. SELECT GOLD			
NO E.D.P.	5566-10B4GS	10	YES 30 MI. SELECT GOLD			
NO E.D.P.	5566-11B4GS	11	YES 30 MI. SELECT GOLD			
NO E.D.P.	5566-12B4GS	12	YES 30 MI. SELECT GOLD			
NO E.D.P.	5566-04A4GS	4	NO 30 MI. SELECT GOLD			
NO E.D.P.	5566-05A4GS	5	NO 30 MI. SELECT GOLD			
NO E.D.P.	5566-06A4GS	6	NO 30 MI. SELECT GOLD			
NO E.D.P.	5566-07A4GS	7	NO 30 MI. SELECT GOLD			
NO E.D.P.	5566-08A4GS	8	NO 30 MI. SELECT GOLD			
NO E.D.P.	5566-09A4GS	9	NO 30 MI. SELECT GOLD			
NO E.D.P.	5566-10A4GS	10	NO 30 MI. SELECT GOLD			
NO E.D.P.	5566-11A4GS	11	NO 30 MI. SELECT GOLD			
NO E.D.P.	5566-12A4GS	12	NO 30 MI. SELECT GOLD			

13	12	11	10	9	8	7
POSITIVE LOCK WITH MTC, PEGS, 94V-2 HOUSING MATERIAL						
PART NO	ENG NO	CKT DRAIN SIZE/HOLE	PLATING OPTION			
39-30-2045	5566-04B3	4	YES TIN OVER COPPER			
39-30-2055	5566-05B3	5	YES TIN OVER COPPER			
39-30-2065	5566-06B3	6	YES TIN OVER COPPER			
39-30-2075	5566-07B3	7	YES TIN OVER COPPER			
39-30-2085	5566-08B3	8	YES TIN OVER COPPER			
39-30-2095	5566-09B3	9	YES TIN OVER COPPER			
39-30-2105	5566-10B3	10	YES TIN OVER COPPER			
39-30-2115	5566-11B3	11	YES TIN OVER COPPER			
39-30-2125	5566-12B3	12	YES TIN OVER COPPER			
39-30-1049	5566-04A3	4	NO TIN OVER COPPER			
39-30-1059	5566-05A3	5	NO TIN OVER COPPER			
39-30-1069	5566-06A3	6	NO TIN OVER COPPER			
39-30-1079	5566-07A3	7	NO TIN OVER COPPER			
39-30-1089	5566-08A3	8	NO TIN OVER COPPER			
39-30-1099	5566-09A3	9	NO TIN OVER COPPER			
39-30-1109	5566-10A3	10	NO TIN OVER COPPER			
39-30-1119	5566-11A3	11	NO TIN OVER COPPER			
39-30-1129	5566-12A3	12	NO TIN OVER COPPER			
39-30-2047	5566-04B3GS	4	YES 30 MI. SELECT GOLD			
39-30-2057	5566-05B3GS	5	YES 30 MI. SELECT GOLD			
39-30-2067	5566-06B3GS	6	YES 30 MI. SELECT GOLD			
39-30-2077	5566-07B3GS	7	YES 30 MI. SELECT GOLD			
39-30-2087	5566-08B3GS	8	YES 30 MI. SELECT GOLD			
39-30-2097	5566-09B3GS	9	YES 30 MI. SELECT GOLD			
39-30-2107	5566-10B3GS	10	YES 30 MI. SELECT GOLD			
39-30-2117	5566-11B3GS	11	YES 30 MI. SELECT GOLD			
39-30-2127	5566-12B3GS	12	YES 30 MI. SELECT GOLD			
39-30-2041	5566-04A3GS	4	NO 30 MI. SELECT GOLD			
39-30-2051	5566-05A3GS	5	NO 30 MI. SELECT GOLD			
39-30-2061	5566-06A3GS	6	NO 30 MI. SELECT GOLD			
39-30-2071	5566-07A3GS	7	NO 30 MI. SELECT GOLD			
39-30-2081	5566-08A3GS	8	NO 30 MI. SELECT GOLD			
39-30-2091	5566-09A3GS	9	NO 30 MI. SELECT GOLD			
39-30-2101	5566-10A3GS	10	NO 30 MI. SELECT GOLD			
39-30-2111	5566-11A3GS	11	NO 30 MI. SELECT GOLD			
39-30-2121	5566-12A3GS	12	NO 30 MI. SELECT GOLD			

SEE SHEET 1

FC NO: UCP2006-1990 2006/02/28
 DRAWN: ADRAINOL 2006/02/28
 CHKD: HPOLGAR 2006/02/28
 APPR: ICOMERCI 2006/02/28

REVISIONS

NO	DESCRIPTION
1	DESCRIPTION

QUALITY SYMBOLS

GENERAL TOLERANCES (UNLESS SPECIFIED)

PLACES	mm	INCH
4 PLACES	± .005	± .0005
3 PLACES	± .005	± .0005
2 PLACES	± .005	± .0005
1 PLACE	± .005	± .0005

ANGULAR ± .005°

DRAFT WHERE APPLICABLE MUST REMAIN WITHIN DIMENSIONS

6	5	4	3	2	1
PASSIVE LOCK WITH MTC, PEGS, 94V-0 HOUSING MATERIAL					
PART NO	ENG NO	CKT DRAIN SIZE/HOLE	PLATING OPTION		
NO E.D.P.	5566-04B4-210	4	YES TIN OVER COPPER		
NO E.D.P.	5566-05B4-210	5	YES TIN OVER COPPER		
NO E.D.P.	5566-06B4-210	6	YES TIN OVER COPPER		
NO E.D.P.	5566-07B4-210	7	YES TIN OVER COPPER		
NO E.D.P.	5566-08B4-210	8	YES TIN OVER COPPER		
NO E.D.P.	5566-09B4-210	9	YES TIN OVER COPPER		
NO E.D.P.	5566-10B4-210	10	YES TIN OVER COPPER		
NO E.D.P.	5566-11B4-210	11	YES TIN OVER COPPER		
NO E.D.P.	5566-12B4-210	12	YES TIN OVER COPPER		
NO E.D.P.	5566-04A4-210	4	NO TIN OVER COPPER		
NO E.D.P.	5566-05A4-210	5	NO TIN OVER COPPER		
NO E.D.P.	5566-06A4-210	6	NO TIN OVER COPPER		
NO E.D.P.	5566-07A4-210	7	NO TIN OVER COPPER		
NO E.D.P.	5566-08A4-210	8	NO TIN OVER COPPER		
NO E.D.P.	5566-09A4-210	9	NO TIN OVER COPPER		
NO E.D.P.	5566-10A4-210	10	NO TIN OVER COPPER		
NO E.D.P.	5566-11A4-210	11	NO TIN OVER COPPER		
NO E.D.P.	5566-12A4-210	12	NO TIN OVER COPPER		
NO E.D.P.	5566-04B4GS-210	4	YES 30 MI. SELECT GOLD		
NO E.D.P.	5566-05B4GS-210	5	YES 30 MI. SELECT GOLD		
NO E.D.P.	5566-06B4GS-210	6	YES 30 MI. SELECT GOLD		
NO E.D.P.	5566-07B4GS-210	7	YES 30 MI. SELECT GOLD		
NO E.D.P.	5566-08B4GS-210	8	YES 30 MI. SELECT GOLD		
NO E.D.P.	5566-09B4GS-210	9	YES 30 MI. SELECT GOLD		
NO E.D.P.	5566-10B4GS-210	10	YES 30 MI. SELECT GOLD		
NO E.D.P.	5566-11B4GS-210	11	YES 30 MI. SELECT GOLD		
NO E.D.P.	5566-12B4GS-210	12	YES 30 MI. SELECT GOLD		
NO E.D.P.	5566-04A4GS-210	4	NO 30 MI. SELECT GOLD		
NO E.D.P.	5566-05A4GS-210	5	NO 30 MI. SELECT GOLD		
NO E.D.P.	5566-06A4GS-210	6	NO 30 MI. SELECT GOLD		
NO E.D.P.	5566-07A4GS-210	7	NO 30 MI. SELECT GOLD		
NO E.D.P.	5566-08A4GS-210	8	NO 30 MI. SELECT GOLD		
NO E.D.P.	5566-09A4GS-210	9	NO 30 MI. SELECT GOLD		
NO E.D.P.	5566-10A4GS-210	10	NO 30 MI. SELECT GOLD		
NO E.D.P.	5566-11A4GS-210	11	NO 30 MI. SELECT GOLD		
NO E.D.P.	5566-12A4GS-210	12	NO 30 MI. SELECT GOLD		

6	5	4	3	2	1
POSITIVE LOCK WITH MTC, PEGS, 94V-0 HOUSING MATERIAL					
PART NO	ENG NO	CKT DRAIN SIZE/HOLE	PLATING OPTION		
39-30-2046	5566-04B3-210	4	YES TIN OVER COPPER		
39-30-2056	5566-05B3-210	5	YES TIN OVER COPPER		
39-30-2066	5566-06B3-210	6	YES TIN OVER COPPER		
39-30-2076	5566-07B3-210	7	YES TIN OVER COPPER		
39-30-2086	5566-08B3-210	8	YES TIN OVER COPPER		
39-30-2096	5566-09B3-210	9	YES TIN OVER COPPER		
39-30-2106	5566-10B3-210	10	YES TIN OVER COPPER		
39-30-2116	5566-11B3-210	11	YES TIN OVER COPPER		
39-30-2126	5566-12B3-210	12	YES TIN OVER COPPER		
39-30-2040	5566-04A3-210	4	NO TIN OVER COPPER		
39-30-2050	5566-05A3-210	5	NO TIN OVER COPPER		
39-30-2060	5566-06A3-210	6	NO TIN OVER COPPER		
39-30-2070	5566-07A3-210	7	NO TIN OVER COPPER		
39-30-2080	5566-08A3-210	8	NO TIN OVER COPPER		
39-30-2090	5566-09A3-210	9	NO TIN OVER COPPER		
39-30-2100	5566-10A3-210	10	NO TIN OVER COPPER		
39-30-2110	5566-11A3-210	11	NO TIN OVER COPPER		
39-30-2120	5566-12A3-210	12	NO TIN OVER COPPER		
39-30-2048	5566-04B3GS-210	4	YES 30 MI. SELECT GOLD		
39-30-2058	5566-05B3GS-210	5	YES 30 MI. SELECT GOLD		
39-30-2068	5566-06B3GS-210	6	YES 30 MI. SELECT GOLD		
39-30-2078	5566-07B3GS-210	7	YES 30 MI. SELECT GOLD		
39-30-2088	5566-08B3GS-210	8	YES 30 MI. SELECT GOLD		
39-30-2098	5566-09B3GS-210	9	YES 30 MI. SELECT GOLD		
39-30-2108	5566-10B3GS-210	10	YES 30 MI. SELECT GOLD		
39-30-2118	5566-11B3GS-210	11	YES 30 MI. SELECT GOLD		
39-30-2128	5566-12B3GS-210	12	YES 30 MI. SELECT GOLD		
39-30-2042	5566-04A3GS-210	4	NO 30 MI. SELECT GOLD		
39-30-2052	5566-05A3GS-210	5	NO 30 MI. SELECT GOLD		
39-30-2062	5566-06A3GS-210	6	NO 30 MI. SELECT GOLD		
39-30-2072	5566-07A3GS-210	7	NO 30 MI. SELECT GOLD		
39-30-2082	5566-08A3GS-210	8	NO 30 MI. SELECT GOLD		
39-30-2092	5566-09A3GS-210	9	NO 30 MI. SELECT GOLD		
39-30-2102	5566-10A3GS-210	10	NO 30 MI. SELECT GOLD		
39-30-2112	5566-11A3GS-210	11	NO 30 MI. SELECT GOLD		
39-30-2122	5566-12A3GS-210	12	NO 30 MI. SELECT GOLD		

SCALE

--- METRIC

DESIGN UNITS

METRIC

THIRD ANGLE PROJECTION

VERTICAL HEADER ASSY W/ PEG AND DRAIN OPTIONS MINI-FIT JR SINGLE ROW

MOLEX MOLEX INCORPORATED

MATERIAL NO. SDA-5566-NL* DOCUMENT NO. SHEET NO. 2 OF 4

THIS DRAWING CONTAINS INFORMATION THAT IS PROPRIETARY TO MOLEX INCORPORATED AND SHOULD NOT BE USED WITHOUT WRITTEN PERMISSION

GENERAL TOLERANCES (UNLESS SPECIFIED)

PLACES	mm	INCH
4 PLACES	± .005	± .0005
3 PLACES	± .005	± .0005
2 PLACES	± .005	± .0005
1 PLACE	± .005	± .0005

ANGULAR ± .005°

DRAFT WHERE APPLICABLE MUST REMAIN WITHIN DIMENSIONS

