

# 0,80mm HI-SPEED SOCKET QSE SERIES

## SPECIFICATIONS

For complete specifications see [www.samtec.com?QSE](http://www.samtec.com?QSE)

**Insulator Material:**

Liquid Crystal Polymer



**Terminal Material:**

Phosphor Bronze



**Current Rating:**

Contacts: 2A @ 80°C

Ground Plane: 9.5A @ 80°C

**Operating Temp Range:**

-65°C to +125°C

**Voltage Rating:**

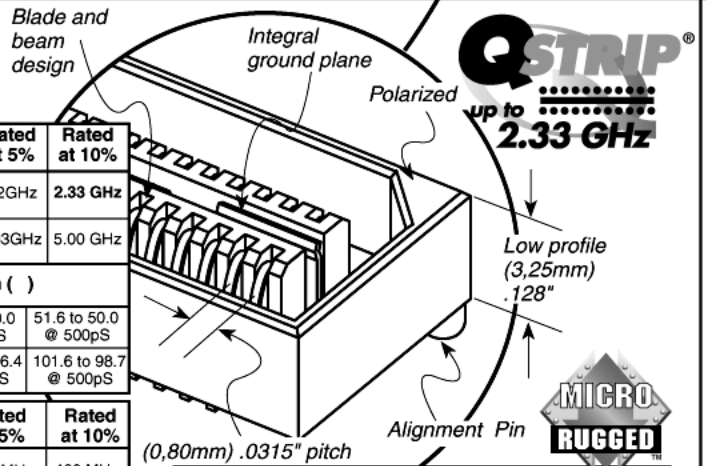
225 VAC mated with QTE & 5mm Stack Height

**Plating:**

Au over 50µ" (1,27µm) Ni

Mates with: QTE

Configuration (5mm Stack)	Near End Crosstalk	Prop. Delay	Rated at 5%	Rated at 10%	
Single Ended	-5% @ 1.20 GHz -9% @ 2.33 GHz	35.0pS	1.2GHz	2.33 GHz	
Differential Pair	-3% @ 2.33 GHz -4.25% @ 5.00 GHz	35.0pS	2.33GHz	5.00 GHz	
Configuration (5mm Stack)	Impedance Mismatch ( )				
Single Ended	64.0 to 50.0 @ 50pS	56.2 to 50.0 @ 100pS	52.9 to 50.0 @ 250pS	51.6 to 50.0 @ 500pS	
Differential Pair	104.5 to 87.1 @ 50pS	102.3 to 92.2 @ 100pS	101.6 to 96.4 @ 250pS	101.6 to 98.7 @ 500pS	
11mm Stack	Rated at 5%	Rated at 10%	22mm Stack	Rated at 5%	Rated at 10%
Single Ended	350 MHz	440 MHz	Single Ended	220 MHz	460 MHz
Differential Pair	875 MHz	2.30 GHz	Differential Pair	<350 MHz	635 MHz



## APPLICATION SPECIFIC

30µ" (0,76µm) Gold (Specify -H plating for Data Rate Cable applications), -GP-TY and Friction Lock options. Call Samtec.

For complete Test Reports logon to [www.samtec.com?QSE](http://www.samtec.com?QSE)

**Note:** Some lengths, styles and options are non-standard, non-returnable.

## Processing:

**Max Processing Temp:**

230°C for 60 seconds

**SMT Lead Coplanarity:**

(0,10mm).004" max (020-040)

(0,15mm).006" max (060-100)

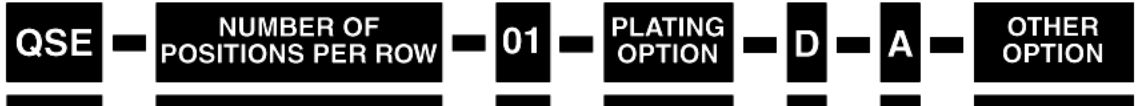
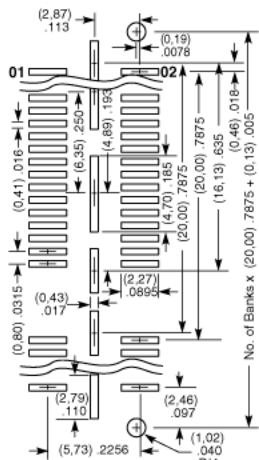
**Board Stacking:**

Maximum two connectors per board recommended. For applications requiring more contact [ipg@samtec.com](mailto:ipg@samtec.com)

**Suggested PCB Layouts:**

For reference only. Go to [www.samtec.com?QSE](http://www.samtec.com?QSE) for recommended PCB layout.

For reference only. Go to [www.samtec.com?QSE](http://www.samtec.com?QSE) for recommended PCB layout.



**-020, -040, -060, -080, -100**  
(40 total positions per bank)

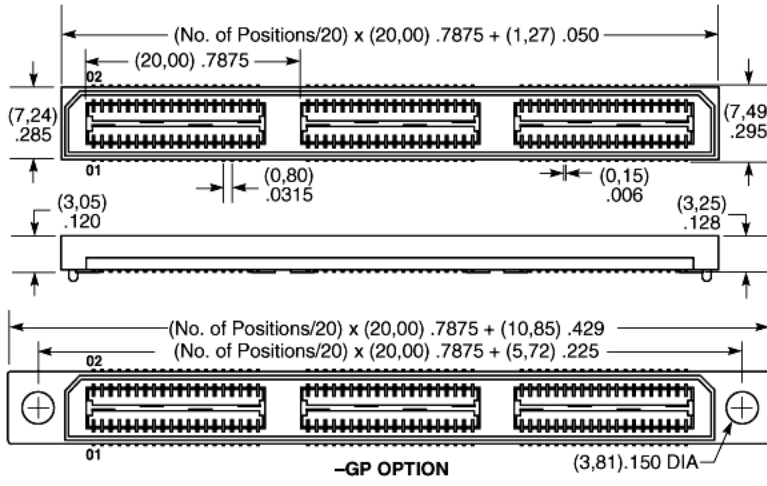
**-F**  
= Gold Flash on Signal Pins and Ground Plane

**-L**  
= 10µ" (0,25µm) Gold on Signal Pins and Ground Plane, Gold Flash on tails

**-K**  
= (8,25mm) .325" DIA Polyimide Film Pick & Place Pad

**-GP**  
= Guide Holes

**-TR**  
= Tape & Reel Packaging (-060 positions maximum; -040 positions maximum with -GP)



Due to technical progress, all designs, specifications and components are subject to change without notice.

[WWW.SAMTEC.COM](http://WWW.SAMTEC.COM)