

**TC74LCX541F, TC74LCX541FW, TC74LCX541FT**

**LOW VOLTAGE OCTAL BUS BUFFER  
WITH 5V TOLERANT INPUTS AND OUTPUTS**

The TC74LCX541 is a high performance CMOS OCTAL BUS BUFFER. Designed for use in 3.3 Volt systems, it achieves high speed operation while maintaining the CMOS low power dissipation.

The device is designed for low-voltage (3.3V) V<sub>CC</sub> applications, but it could be used to interface to 5V supply environment for both inputs and outputs.

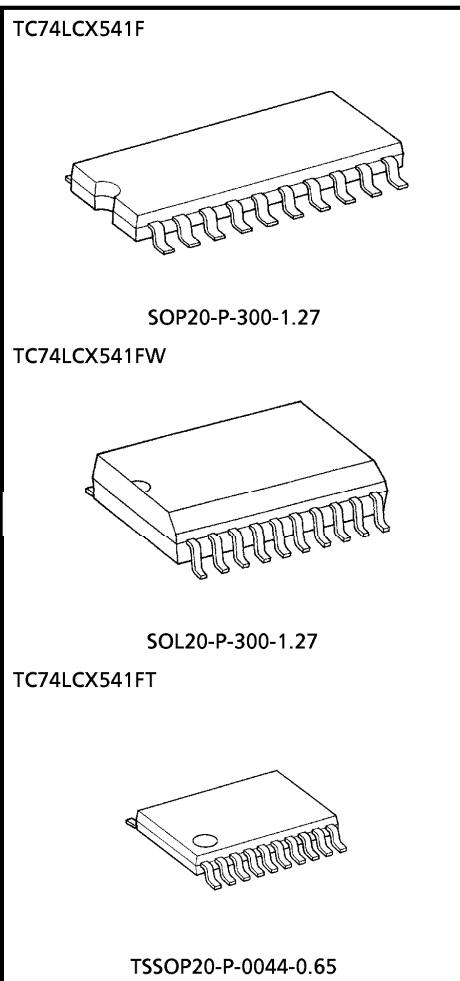
The 74LCX541 is a non-inverting 3-state buffer having two active-low output enables. When either  $\overline{OE1}$  or  $\overline{OE2}$  are high, the terminal outputs are in the high-impedance state. This device is designed to be used with 3-state memory address drivers, etc.

All inputs are equipped with protection circuits against static discharge.

**FEATURES**

- Low voltage operation : V<sub>CC</sub> = 2.0~3.6V
- High speed operation : t<sub>pd</sub> = 6.5ns (Max.)  
(V<sub>CC</sub> = 3.0~3.6V)
- Output current : |I<sub>OH</sub>| / I<sub>OL</sub> = 24mA (Min.)  
(V<sub>CC</sub> = 3.0V)
- Latch-up performance : ±500mA
- Available in JEDEC SOP, EIAJ SOP and TSSOP
- Power down protection is provided on all inputs and outputs.
- Pin and function compatible with the 74 series (74AC/VHC/HC/F/ALS/LS etc.) 541 type.

(Note) The JEDEC SOP (FW) is not available in Japan.



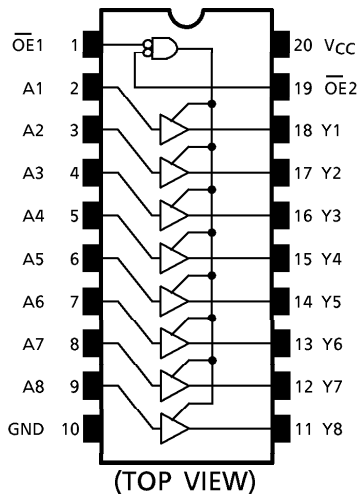
**Weight**

SOP20-P-300-1.27	: 0.22g (Typ.)
SOL20-P-300-1.27	: 0.46g (Typ.)
TSSOP20-P-0044-0.65	: 0.08g (Typ.)

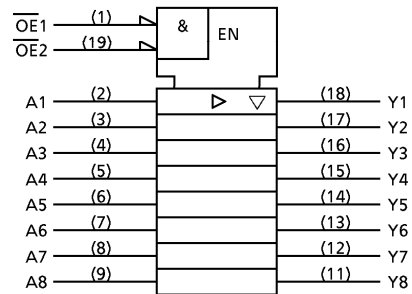
961001EBA2

● TOSHIBA is continually working to improve the quality and the reliability of its products. Nevertheless, semiconductor devices in general can malfunction or fail due to their inherent electrical sensitivity and vulnerability to physical stress. It is the responsibility of the buyer, when utilizing TOSHIBA products, to observe standards of safety, and to avoid situations in which a malfunction or failure of a TOSHIBA product could cause loss of human life, bodily injury or damage to property. In developing your designs, please ensure that TOSHIBA products are used within specified operating ranges as set forth in the most recent products specifications. Also, please keep in mind the precautions and conditions set forth in the TOSHIBA Semiconductor Reliability Handbook.

**PIN ASSIGNMENT**



**IEC LOGIC SYMBOL**



**TRUTH TABLE**

INPUTS			OUTPUTS
OE1	OE2	An	
H	X	X	Z
X	H	X	Z
L	L	H	H
L	L	L	L

X : Don't Care  
Z : High Impedance

**MAXIMUM RATINGS**

PARAMETER	SYMBOL	RATING	UNIT
Supply Voltage Range	$V_{CC}$	-0.5~7.0	V
DC Input Voltage	$V_{IN}$	-0.5~7.0	V
DC Output Voltage	$V_{OUT}$	-0.5~7.0 (Note 1)	V
		-0.5~ $V_{CC} + 0.5$ (Note 2)	
Input Diode Current	$I_{IK}$	-50	mA
Output Diode Current	$I_{OK}$	±50 (Note 3)	mA
DC Output Current	$I_{OUT}$	±50	mA
Power Dissipation	$P_D$	180	mW
DC $V_{CC}$ /Ground Current	$I_{CC}/I_{GND}$	±100	mA
Storage Temperature	$T_{stg}$	-65~150	°C

(Note 1) Output in Off-State  
 (Note 2) High or Low State.  $I_{OUT}$  absolute maximum rating must be observed.  
 (Note 3)  $V_{OUT} < GND, V_{OUT} > V_{CC}$

961001EBA2'

- The products described in this document are subject to foreign exchange and foreign trade control laws.
- The information contained herein is presented only as a guide for the applications of our products. No responsibility is assumed by TOSHIBA CORPORATION for any infringements of intellectual property or other rights of the third parties which may result from its use. No license is granted by implication or otherwise under any intellectual property or other rights of TOSHIBA CORPORATION or others.
- The information contained herein is subject to change without notice.

**RECOMMENDED OPERATING CONDITIONS**

PARAMETER	SYMBOL	RATING	UNIT
Supply Voltage	V <sub>CC</sub>	2.0~3.6	V
		1.5~3.6 (Note 4)	
Input Voltage	V <sub>IN</sub>	0~5.5	V
Output Voltage	V <sub>OUT</sub>	0~5.5 (Note 5)	V
		0~V <sub>CC</sub> (Note 6)	
Output Current	I <sub>OH</sub> / I <sub>OL</sub>	±24 (Note 7)	mA
		±12 (Note 8)	
Operating Temperature	T <sub>opr</sub>	-40~85	°C
Input Rise And Fall Time	dt/dv	0~10 (Note 9)	ns/V

(Note 4) Data Retention Only

(Note 5) Output in Off-State

(Note 6) High or Low State

(Note 7) V<sub>CC</sub> = 3.0~3.6V

(Note 8) V<sub>CC</sub> = 2.7~3.0V

(Note 9) V<sub>IN</sub> = 0.8~2.0V, V<sub>CC</sub> = 3.0V

**ELECTRICAL CHARACTERISTICS**

DC characteristics (Ta = -40~85°C)

PARAMETER		SYMBOL	TEST CONDITION	V <sub>CC</sub> (V)	MIN.	MAX.	UNIT	
Input Voltage	"H" Level	V <sub>IH</sub>		2.7~3.6	2.0	—	V	
	"L" Level	V <sub>IL</sub>		2.7~3.6	—	0.8		
Output Voltage	"H" Level	V <sub>OH</sub>	V <sub>IN</sub> = V <sub>IH</sub> or V <sub>IL</sub>	I <sub>OH</sub> = -100μA	2.7~3.6	V <sub>CC</sub> - 0.2	—	V
				I <sub>OH</sub> = -12mA	2.7	2.2	—	
				I <sub>OH</sub> = -18mA	3.0	2.4	—	
				I <sub>OH</sub> = -24mA	3.0	2.2	—	
	"L" Level	V <sub>OL</sub>	V <sub>IN</sub> = V <sub>IH</sub> or V <sub>IL</sub>	I <sub>OL</sub> = 100μA	2.7~3.6	—	0.2	
				I <sub>OL</sub> = 12mA	2.7	—	0.4	
				I <sub>OL</sub> = 16mA	3.0	—	0.4	
				I <sub>OL</sub> = 24mA	3.0	—	0.55	
Input Leakage Current	I <sub>IN</sub>	V <sub>IN</sub> = 0~5.5V	2.7~3.6	—	±5.0	μA		
3-State Output Off-State Current	I <sub>OZ</sub>	V <sub>IN</sub> = V <sub>IH</sub> or V <sub>IL</sub> V <sub>OUT</sub> = 0~5.5V	2.7~3.6	—	±5.0	μA		
Power Off Leakage Current	I <sub>OFF</sub>	V <sub>IN</sub> / V <sub>OUT</sub> = 5.5V	0	—	10.0	μA		
Quiescent Supply Current	I <sub>CC</sub>	V <sub>IN</sub> = V <sub>CC</sub> or GND	2.7~3.6	—	10.0	μA		
		V <sub>IN</sub> / V <sub>OUT</sub> = 3.6~5.5V	2.7~3.6	—	±10.0			
Increase In I <sub>CC</sub> Per Input	ΔI <sub>CC</sub>	V <sub>IH</sub> = V <sub>CC</sub> - 0.6V	2.7~3.6	—	500	μA		

AC characteristic (Ta = -40~85°C)

PARAMETER	SYMBOL	TEST CONDITION	V <sub>CC</sub> (V)	MIN.	MAX.	UNIT
Propagation Delay Time	t <sub>pLH</sub>	(Fig.1, 2)	2.7	—	7.5	ns
	t <sub>pHL</sub>		3.3 ± 0.3	1.5	6.5	
Output Enable Time	t <sub>pZL</sub>	(Fig.1, 3)	2.7	—	9.5	ns
	t <sub>pZH</sub>		3.3 ± 0.3	1.5	8.5	
Output Disable Time	t <sub>pLZ</sub>	(Fig.1, 3)	2.7	—	8.5	ns
	t <sub>pHZ</sub>		3.3 ± 0.3	1.5	7.5	
Output To Output Skew	t <sub>osLH</sub>	(Note 10)	2.7	—	—	ns
	t <sub>osHL</sub>		3.3 ± 0.3	—	1.0	

(Note 10) Parameter guaranteed by design.  
 (t<sub>osLH</sub> = |t<sub>pLHm</sub> - t<sub>pLHn</sub>|, t<sub>osHL</sub> = |t<sub>pHLm</sub> - t<sub>pHLn</sub>|)

**DYNAMIC SWITCHING CHARACTERISTICS** (Ta = 25°C, Input t<sub>r</sub> = t<sub>f</sub> = 2.5ns, C<sub>L</sub> = 50pF, R<sub>L</sub> = 500Ω)

PARAMETER	SYMBOL	TEST CONDITION	V <sub>CC</sub> (V)	TYP.	UNIT
Quiet Output Maximum Dynamic V <sub>OL</sub>	V <sub>OLP</sub>	V <sub>IH</sub> = 3.3V, V <sub>IL</sub> = 0V	3.3	0.8	V
Quiet Output Minimum Dynamic V <sub>OL</sub>	V <sub>OLV</sub>	V <sub>IH</sub> = 3.3V, V <sub>IL</sub> = 0V	3.3	0.8	V

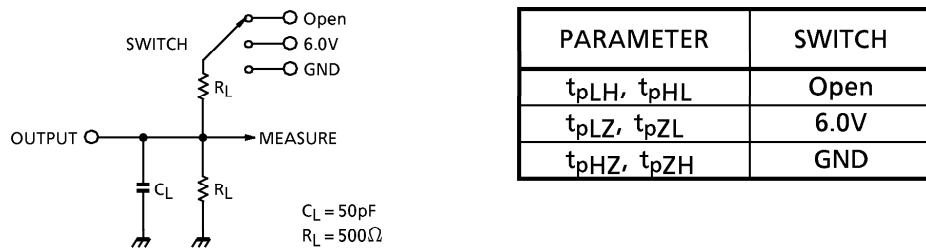
**CAPACITIVE CHARACTERISTICS** (Ta = 25°C)

PARAMETER	SYMBOL	TEST CONDITION	V <sub>CC</sub> (V)	TYP.	UNIT
Input Capacitance	C <sub>IN</sub>	—	3.3	7	pF
Output Capacitance	C <sub>OUT</sub>		3.3	8	pF
Power Dissipation Capacitance	C <sub>PD</sub>	f <sub>IN</sub> = 10MHz (Note 11)	3.3	40	pF

(Note 11) C<sub>PD</sub> is defined as the value of the internal equivalent capacitance which is calculated from the operating current consumption.  
 Average operating current can be obtained by the equation :  
 I<sub>CC</sub>(opr.) = C<sub>PD</sub> · V<sub>CC</sub> · f<sub>IN</sub> + I<sub>CC</sub> / 8 (per bit)

**TEST CIRCUIT**

Fig.1



**AC WAVEFORM**

Fig.2  $t_{pLH}, t_{pHL}$

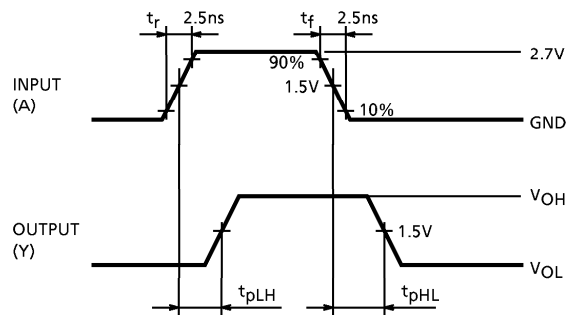
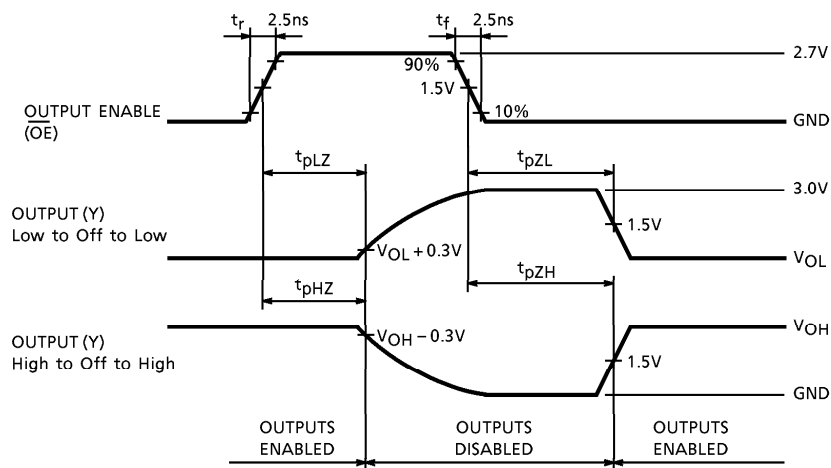
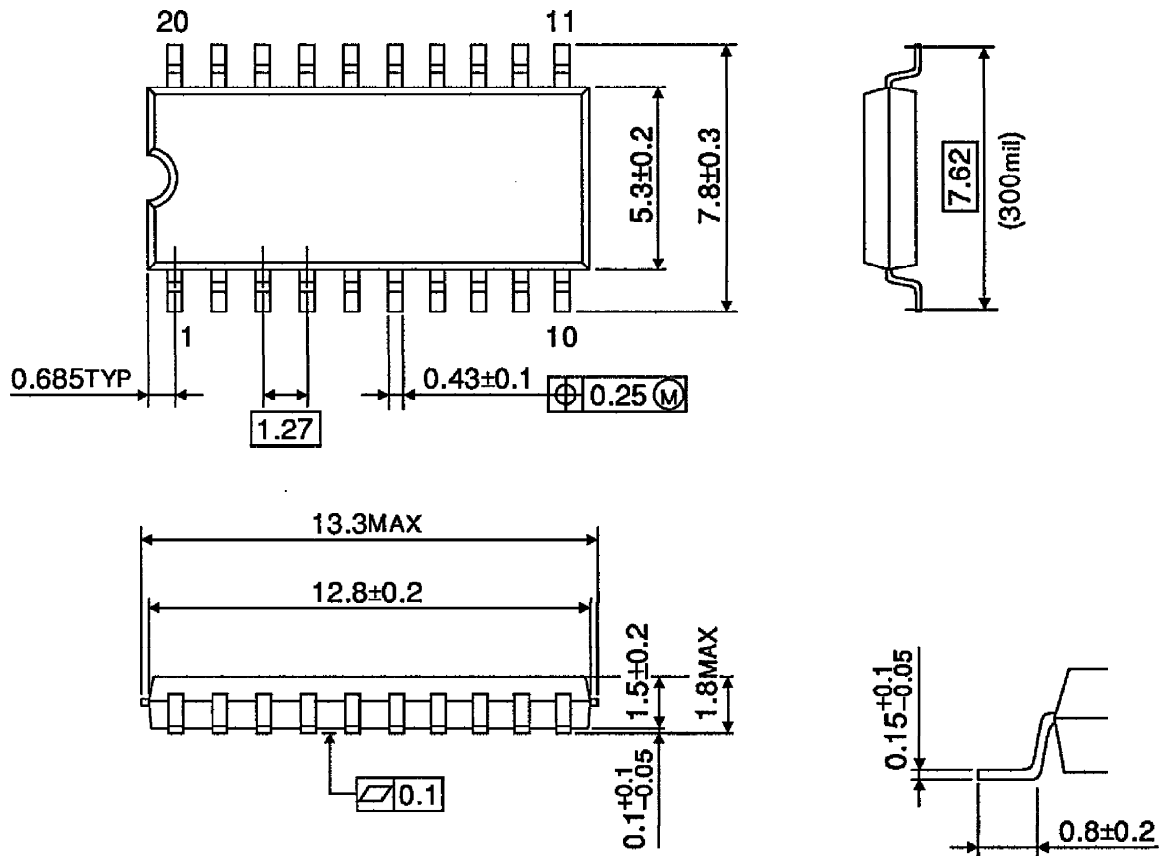


Fig.3  $t_{pLZ}, t_{pHZ}, t_{pZL}, t_{pZH}$



**OUTLINE DRAWING**  
SOP20-P-300-1.27

Unit : mm

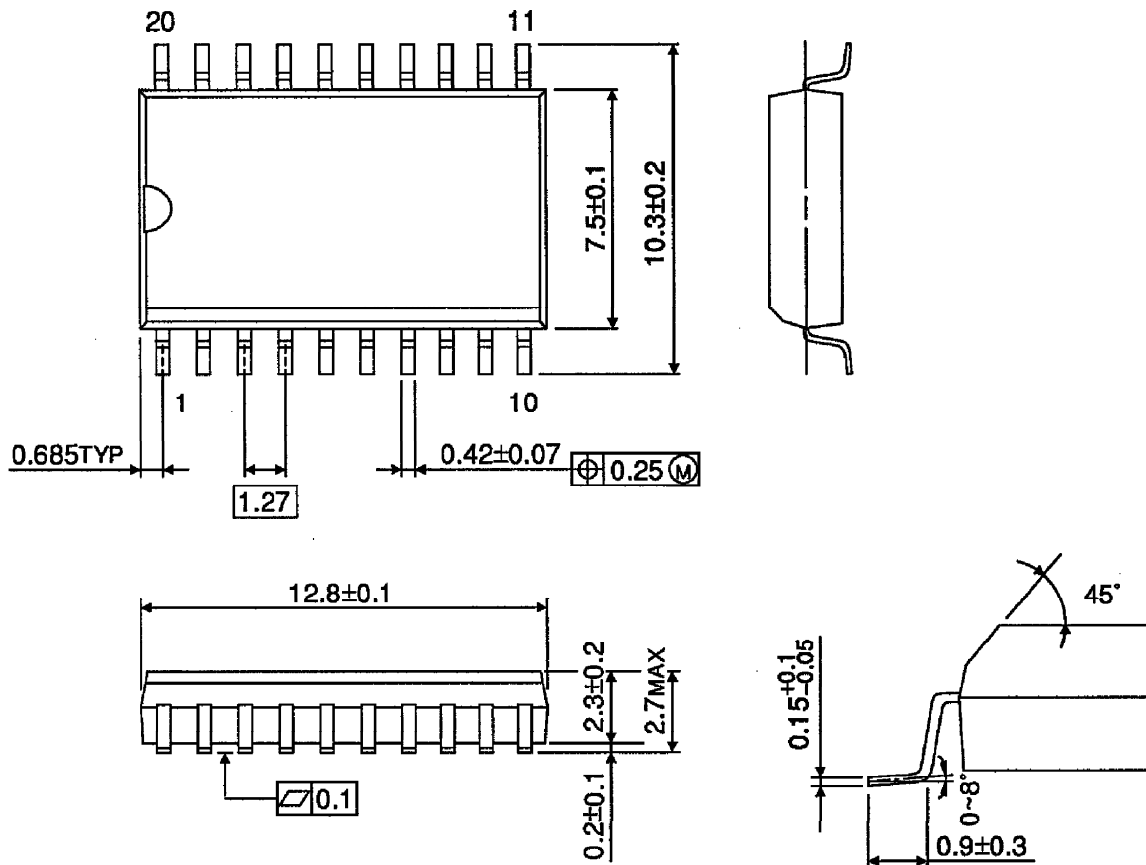


Weight : 0.22g (Typ.)

**OUTLINE DRAWING**  
SOL20-P-300-1.27

Unit : mm

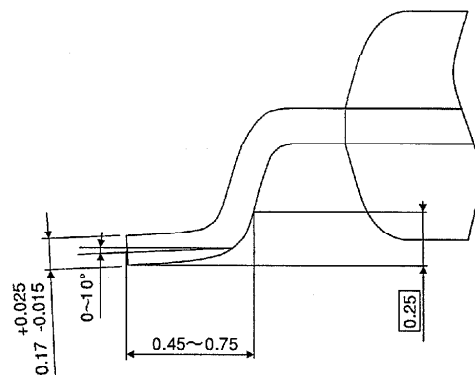
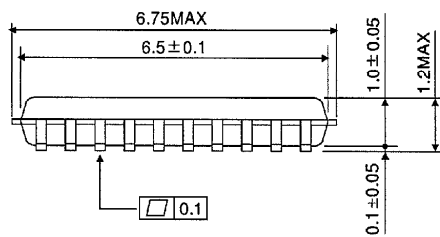
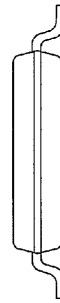
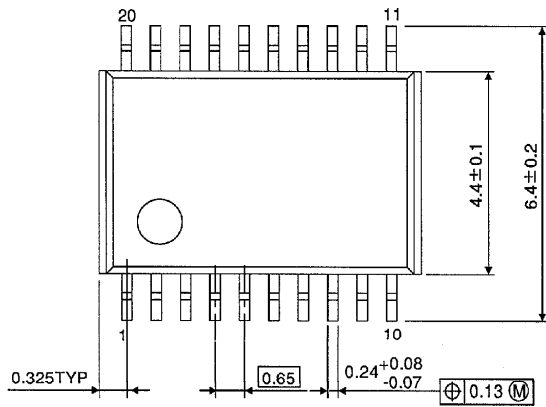
(Note) This package is not available in Japan.



Weight : 0.46g (Typ.)

**OUTLINE DRAWING**  
TSSOP20-P-0044-0.65

Unit : mm



Weight : 0.08g (Typ.)