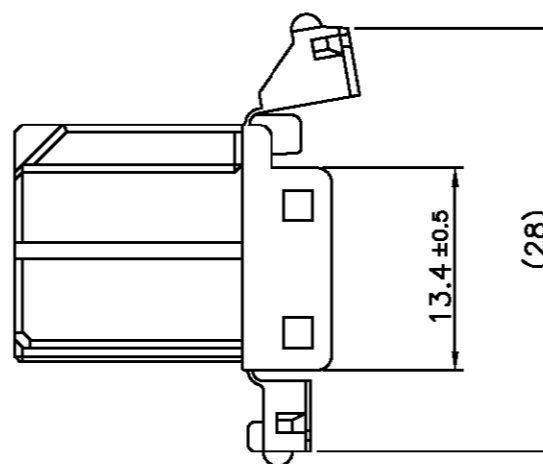
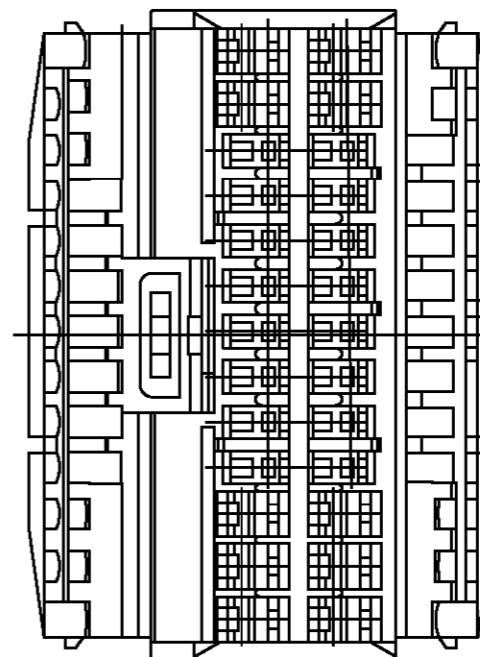
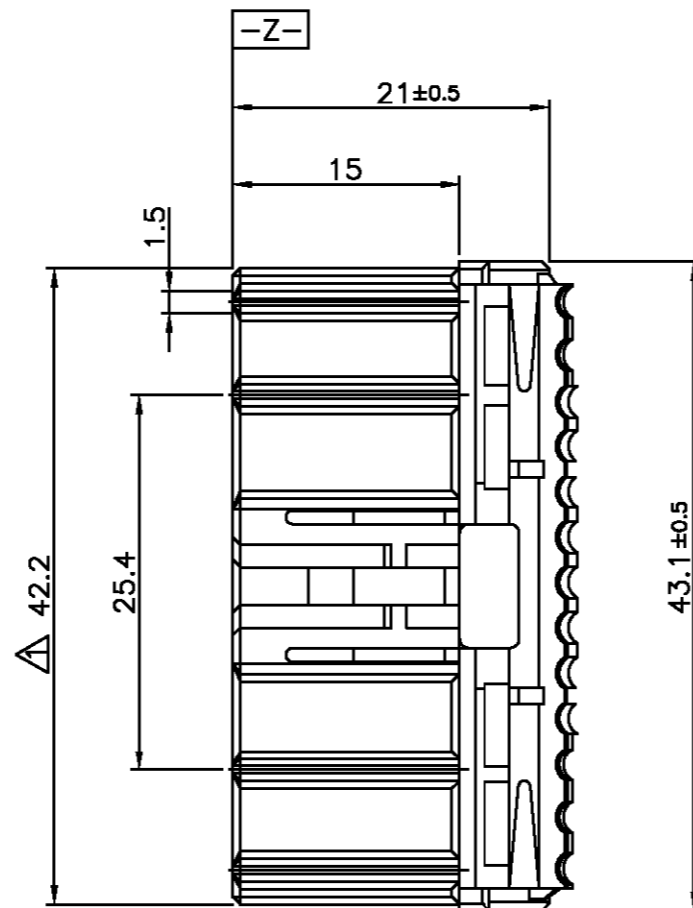
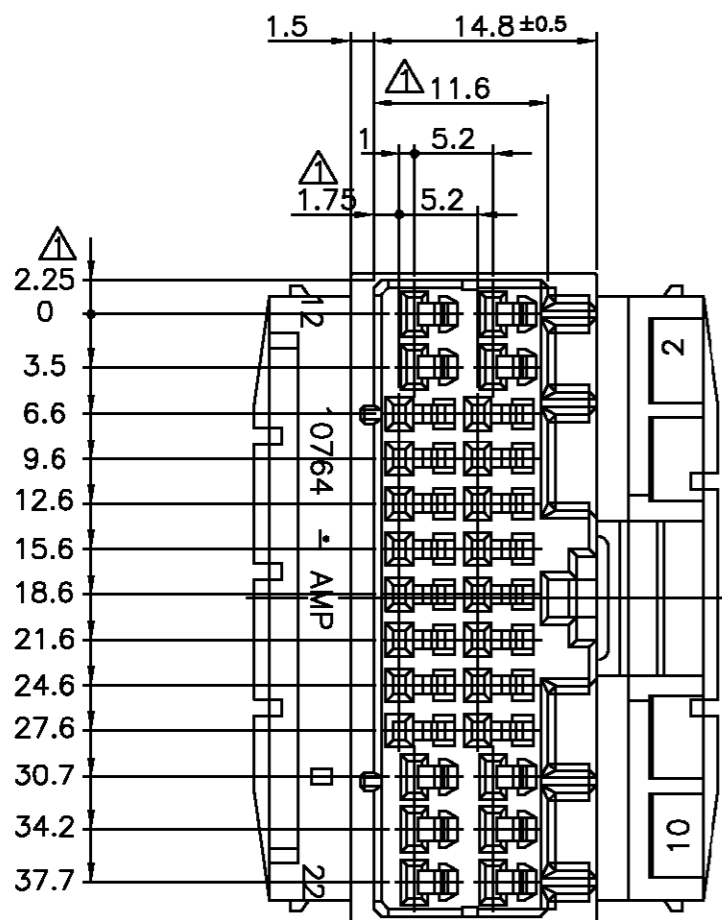


P	LTR	DESCRIPTION	DATE	DWN	APVD
	O	RELEASED(RD96-369)	NOV/25/96	HS	CS
	A	REVISED(FC00-0115-98)	DEC/24/98	HS	CS
	B	REVISED(FC00-0084-03)	09/JUN/03	HS	CS



	YELLOW	-7
Ⓐ	GRAY	-6
Ⓑ	BLACK	-2
	NATURAL	-1
	COLOR	P/N

NOTES;

- △ MUST BE KEPT BETWEEN $-Z-$ AND 2mm.
- THE MATING CAP HOUSING PART NUMBER, 174518
- APPLIDE CONTACT PART NUMBER, 173631, 173716
- APPLICABLE PRODUCT SPEC NO. 108-5280

THIS DRAWING IS A CONTROLLED DOCUMENT FOR TYCO ELECTRONICS CORPORATION. IT IS SUBJECT TO CHANGE AND THE CONTROLLING ENGINEERING ORGANIZATION SHOULD BE CONTACTED FOR THE LATEST REVISION.

DIMENSIONS:
MM

TOLERANCES UNLESS OTHERWISE SPECIFIED:

- 0 <XX<10 ± 0.2
- 10 <XX<30 ± 0.25
- 30 <XX ± 0.3
- ANGLES ± 3°



MATERIAL

PBT

FINISH

DWN

CHK

APVD

PRODUCT SPEC

APPLICATION SPEC

WEIGHT

tyco
Electronics

AMP KOREA.
kyungsan, korea

NAME

26P PLUG HOUSING, HYBRID I/O CONN.

SIZE

CAGE CODE

DRAWING NO

RESTRICTED TO

A3

00779

C= 368136

SCALE 2/1

SHEET 1 OF 1

REV B