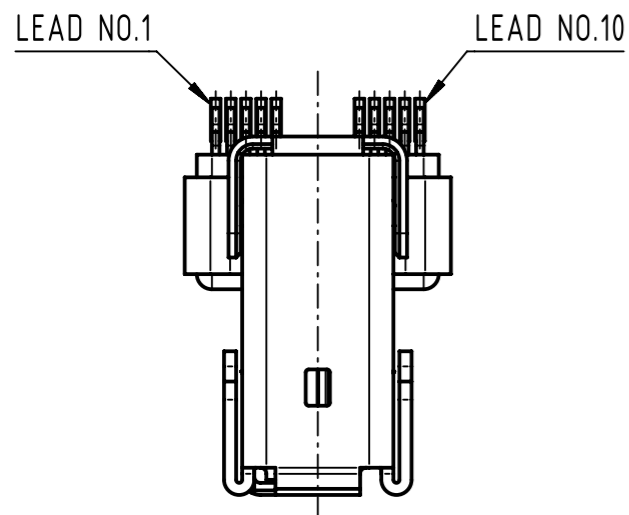
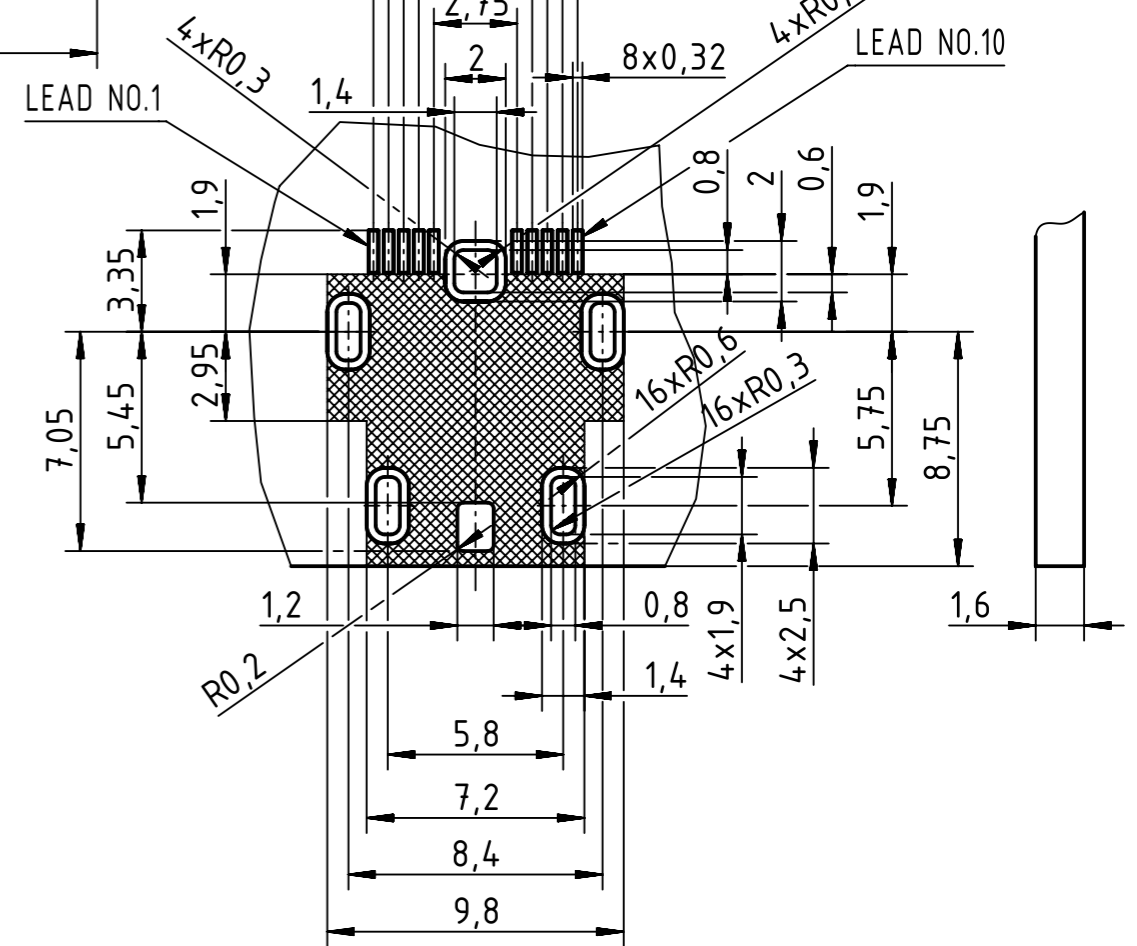
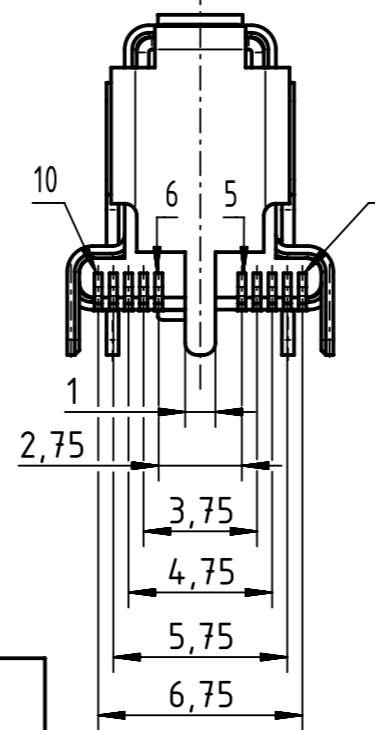
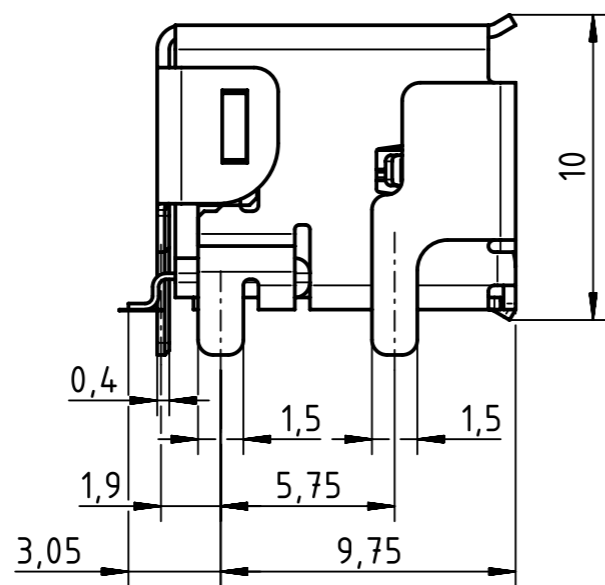
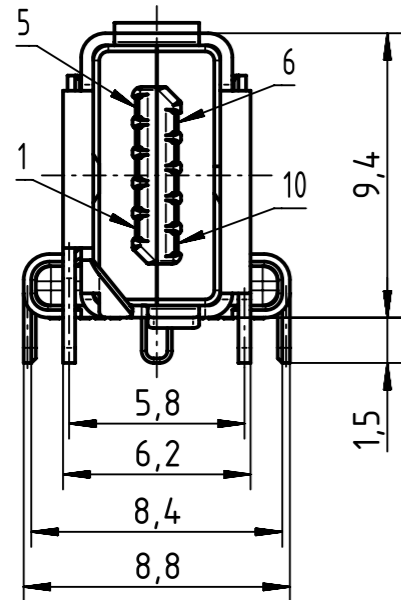
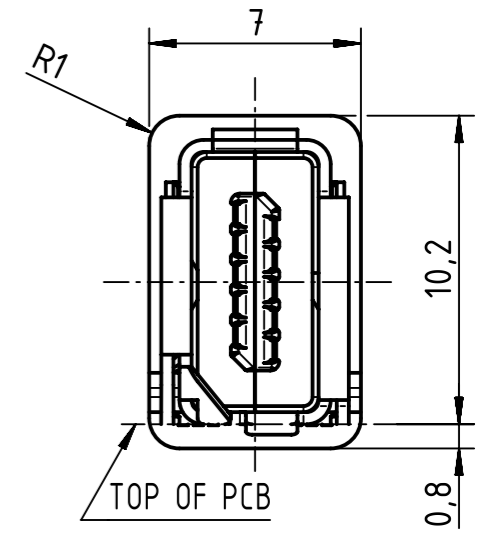


REFERENCE DIMENSIONS OF PANEL CUT OUT



Pin	10BASE-T 100 BASE-TX	1/10GBASE-T
1	TX+	BI_DA+
2	TX-	BI_DA-
3	N.C.	GND
4	N.C.	BI_DC+
5	N.C.	BI_DC-
6	RX+	BI_DB+
7	RX-	BI_DB-
8	N.C.	GND
9	N.C.	BI_DD+
10	N.C.	BI_DD-

09452812560: Tape & reel packaging (400 pcs.)
 09452812560333: Single packaging (1 pcs.)

	All rights reserved Department EC PD - RO	All Dimensions in mm Original Size DIN A3	Scale 2:1	Free size tol.	Ref. Sub.
	HARTING Electronics GmbH D-32339 Espelkamp	Created by POPESCU	Inspected by AVRAM	Standardisation HOFFMANN	Date 2016-10-28
Title HA ix Ind jack Cat.6A 10p SMD angl.vert.					State Final Release
Type TB		Number 09452812560			Doc-Key / ECM-Nr. 100695472/UGD/000/A 500000110819
				Rev. A	Page 1/1