



1

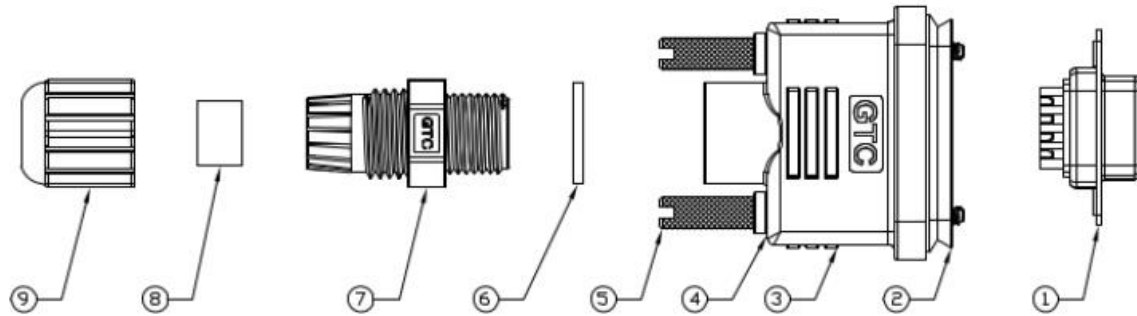
2

3

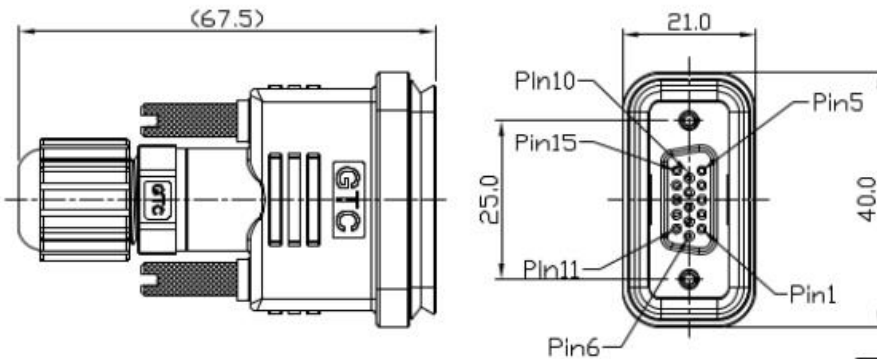
4

Notes: (Unless Otherwise Specified)  
 1. Waterproof Rate: IP67.  
 2. Suitable Cable OD= 4.0 mm to 8.0 mm  
 3. Recommend Cover Torque: 6.0 to 7.0 Kgf-cm.  
 4. Recommend Gland Nut Torque: 9.0 to 10.0 Kgf-cm.  
 5. RoHS Compliant.

REV	ECN#	DESCRIPTION OF REVISION	DRAW BY DATE	CHECK BY DATE	APPROVE BY DATE
A0		Mass Production	Joyce 08/14/12	Lucas 08/14/12	Ray 08/14/12



9	Gland Nut	Thermoplastic Color: Black	1
8	Gland	Silicone Color: Black	1
7	Cover	Thermoplastic Color: Black	1
6	Gasket	EPDM Color: Black	1
5	Screw	Cutting Iron Finish: Ni Plated	2
4	Gasket	EPDM Color: Black	2
3	Housing	Thermoplastic Color: Black	1
2	Seal	EPDM Color: Black	1
1	I-SUB HD 15P Female	Housing: Thermoplastic, Color: Black Contacts: Copper Alloy, Finish: Au Plated Shell: SPCC, Finish: Ni Plated	1
Item	Part Name	Material / Finish	Qty



Mating Part:  
122-3038

TITLE							REV.			
D-SUB HD 5A 15P Field Installable Cable End Female Solder							A0			
THIRD ANGLE PROJECTION			SIZE	SCALE	DRAW / DATE	CHECK / DATE	APPROVE / DATE	TOLERANCES	UNIT	SHEET
			B	1:1	Joyce 08/14/12	Lucas 08/14/12	Ray 08/14/12	XX ± 0.5 X.XX ± 0.2	X.XXX ± 0.05 ANGLES ± 1°	mm 1/1

RS Stock No  
122-3045

1

2

3

4