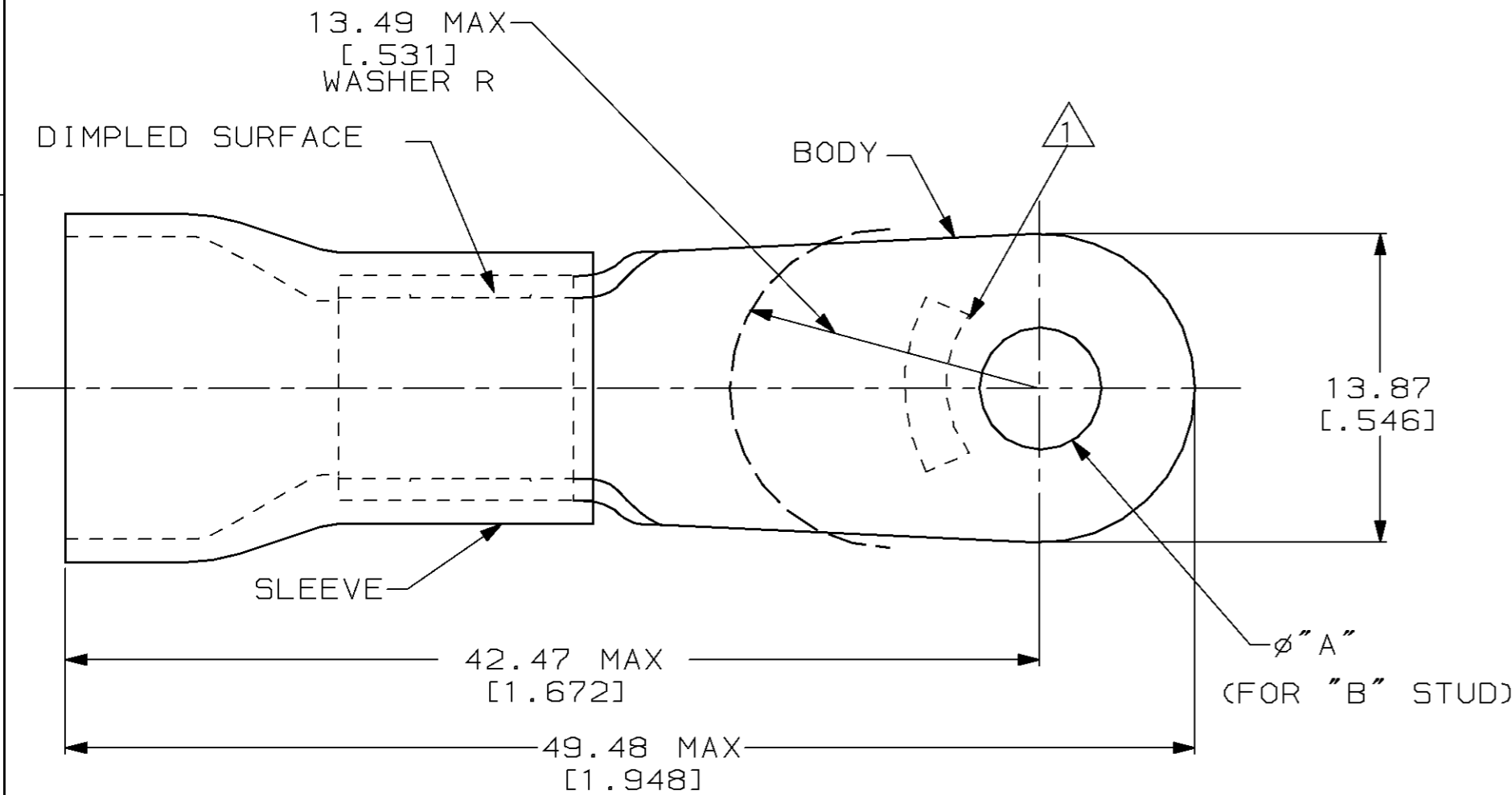


THIS DRAWING IS UNPUBLISHED. RELEASED FOR PUBLICATION, 19 .  
 © COPYRIGHT 19 BY AMP INCORPORATED. ALL INTERNATIONAL RIGHTS RESERVED.

LOC G	DIST 14	P	F	REVISIONS			DATE	APPD
				ZONE	LTR	DESCRIPTION		
					L	REV / 0L20-0041-97	29MAY97	ME BB

<b>AMP</b> WIRE RANGE	<b>RA</b> FILE E13288	<b>LR7189</b> Certified
4 AWG STRANDED	4 AWG STRANDED	4 AWG STRANDED



- ① STAMP AMP 4\* LOCATE APPROX AS SHOWN
- ② TONGUE MATERIAL THK 1.22±0.08 [.048±.003]
- ③ SEE TABLE FOR WIRE INSULATION DIA MAX
- ④ TAPE ITEMS ARE ON 30.48 [1.200] CENTERS
- ⑤ SUPERSEDED BY 8-52043-2

11.43 [.450]	1/4	6.73±0.13 [.265±.005]	20	LOOSE PC, BOX SPL	8-52043-5 ⑤
			50	LOOSE PC, BOX	8-52043-2
13.08 [.515]	#10	5.00±0.08 [.197±.003]	500	ON TAPE	52043-7
					52043-5
11.43 [.450]	1/4	6.73±0.13 [.265±.005]	100	LOOSE PC	52043-4
					52043-3
13.08 [.515]	1/4	6.73±0.13 [.265±.005]	#10	5.00±0.08 [.197±.003]	52043-2
					52043-1
					52043

<b>AMP INCORPORATED</b> CUSTOMER SERVICE SYSTEMS		MAX RECOMMENDED OPERATING TEMPERATURE: 90°C	DO NOT SCALE PRINT. UNLESS SPECIFIED DIMENSIONS IN mm [INCHES] TOLERANCES ON: 2 PLC DEC ± 0.20 [.008] 3 PLC DEC ± - ANGLES ± -	DR 9-28-93 S.S. GOULDEN	<b>AMP</b> AMP Incorporated Harrisburg, PA 17105-3608
FOR ADDITIONAL PRODUCT INFORMATION OR COPIES OF DRAWINGS AND TECHNICAL DOCUMENTS	PRODUCT INFORMATION CENTER 1-800-522-6752	VOLTAGE RATING: 600 V MAX	MATERIAL COPPER PER ASTM B-152 PVC, COLOR, YELLOW	CHK 9-28-93 R. HERSEY	
FOR APPLICATION TOOLING INFORMATION	TOOLING ASSISTANCE CENTER 1-800-722-1111	CIRCULAR MIL AREA: 16.77-26.65mm² [33,100-52,600] STRANDED	FINISH TIN PLATE PER MIL-T-10727	APPD 9-28-93 B. BARE	NAME TERMINAL, RING TONGUE, PLASTI-GRIP™, WIRE SIZE, 4 AWG
FOR ORDER ENTRY	1-800-526-5142	THIS DRAWING IS A CONTROLLED DOCUMENT FOR AMP INCORPORATED. IT IS SUBJECT TO CHANGE AND THE CONTROLLING ENGINEERING ORGANIZATION SHOULD BE CONTACTED FOR THE LATEST REVISION.		APPD 9-28-93 M. ELLIS	SIZE B
				PRODUCT SPEC NOT AVAILABLE	CAGE CODE 00779
				APPLICATION SPEC NOT AVAILABLE	DRAWING NO C-52043
				WEIGHT -	SCALE NTS
					SHEET 1 OF 1