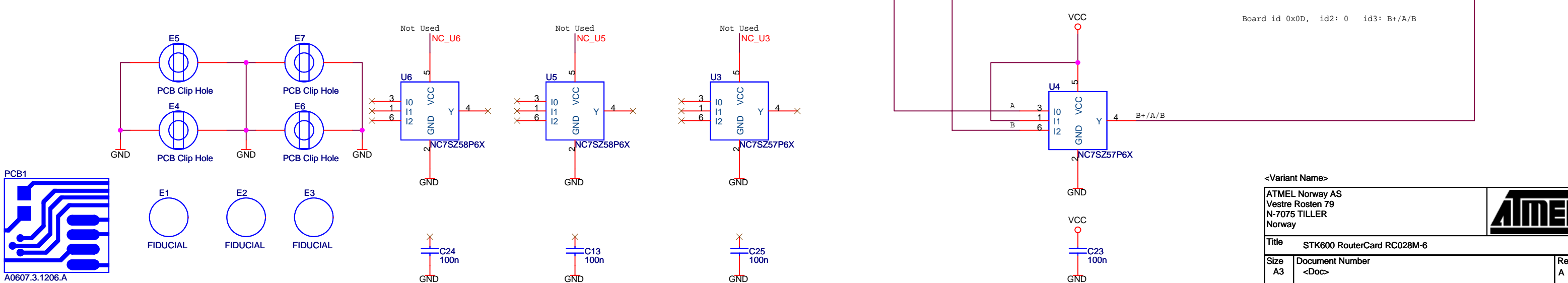
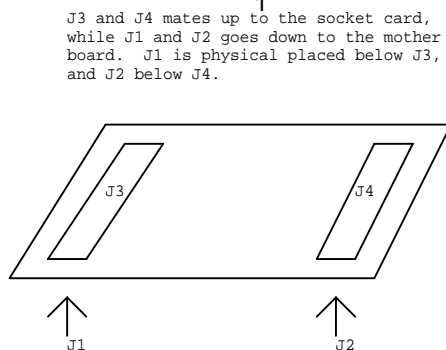
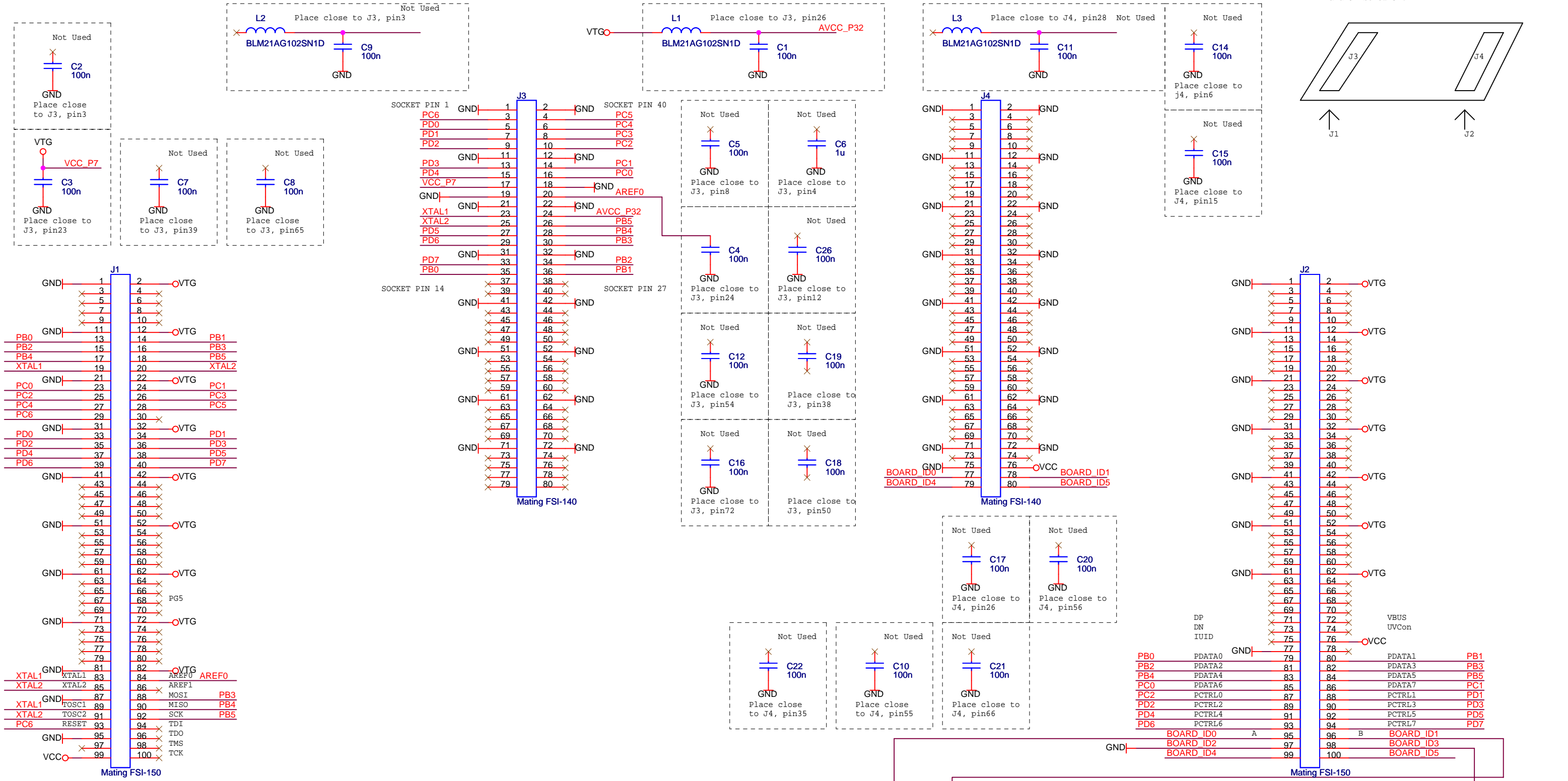


STK600 RC028M-6 for DIP40 socket



Title		STK600 RouterCard RC028M-6	
Size	A3	Document Number	<Doc>
Date:	Friday, January 05, 2007	Sheet	1 of 1
Rev		A	