



**General characteristics**

Colour	Grey
IEC degree of protection	IP66 and IP67

**Mechanical features**

Weight	g	581
--------	---	-----

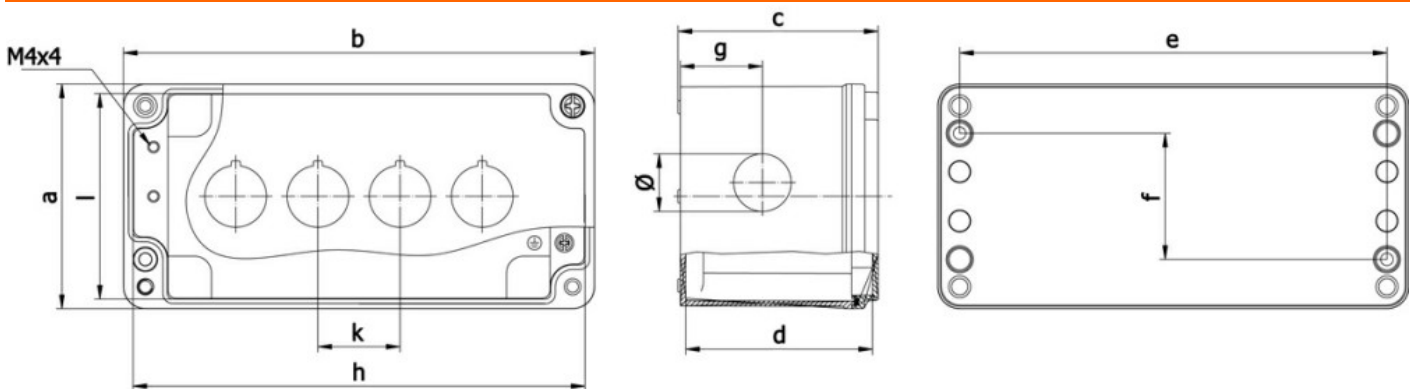
**UL technical data**

UL degree of protection	NEMA 4X
-------------------------	---------

**Ambient conditions**

Temperature	Operating temperature	min	°C	-25
		max	°C	+70
	Storage temperature	min	°C	-40
		max	°C	+85

**Dimensions**



a	b	c	d	e	f	g	h	l	k	Ø
80	170	73	67	156	46	30	165	75	30	21

**Certifications and compliance**

Compliance

CSA C22.2 n° 14
IEC/EN 60947-1
IEC/EN 60947-5-1
UL508

Certificates

cULus
EAC

**ETIM classification**

ETIM 8.0	EC000200 - Enclosure for control circuit devices
----------	--