



Similar to image

Technical data:

Latching relay design		others
Number of NC contacts		0
Mounting height	mm	90
Mounting depth	mm	70
type of voltage		AC
Type of mounting		DIN rail
Type of voltage		
• [nicht versorgt - der Steuerspannung_1]		AC
• [nicht versorgt - der Steuerspannung_2]		AC
Number of change-over switches		0
Number of NO contacts		2
Number of pitch units for width		1
Product function / direct operation		Yes
Breaking capacity current / nominal value	A	16
Switching capacity apparent power		
• [nicht versorgt - bei Leuchtstofflampenlast Duo-Schaltung]	V·A	2,784
• [nicht versorgt - bei Leuchtstofflampenlast unkompenziert]	V·A	1,160
• [nicht versorgt - bei Leuchtstofflampenlast parallel kompenziert]	V·A	1,299.2

Switching capacity real power / for filament lamp load	W	16
Breaking capacity current / [nicht versorgt - bei cos phi 0,6]	A	16
Control voltage frequency		
• _1 / initial value	Hz	50
• _1 / final value	Hz	50
• initial value	Hz	50
• _2 / final value	Hz	50
Control voltage/ _1		
• _1 / initial value	V	230
• final value	V	253
• final value	V	253
supply voltage		
• minimum	V	250
• maximum	V	400

Further information:

Information- and Downloadcenter (Catalogs, Brochures,...)

<http://www.siemens.com/lowvoltage/catalogs>

Global Industry Mall (Online ordering system)

<http://www.siemens.com/lowvoltage/mall>

Service&Support (Manuals, Certificates, Characteristics, FAQs,...)

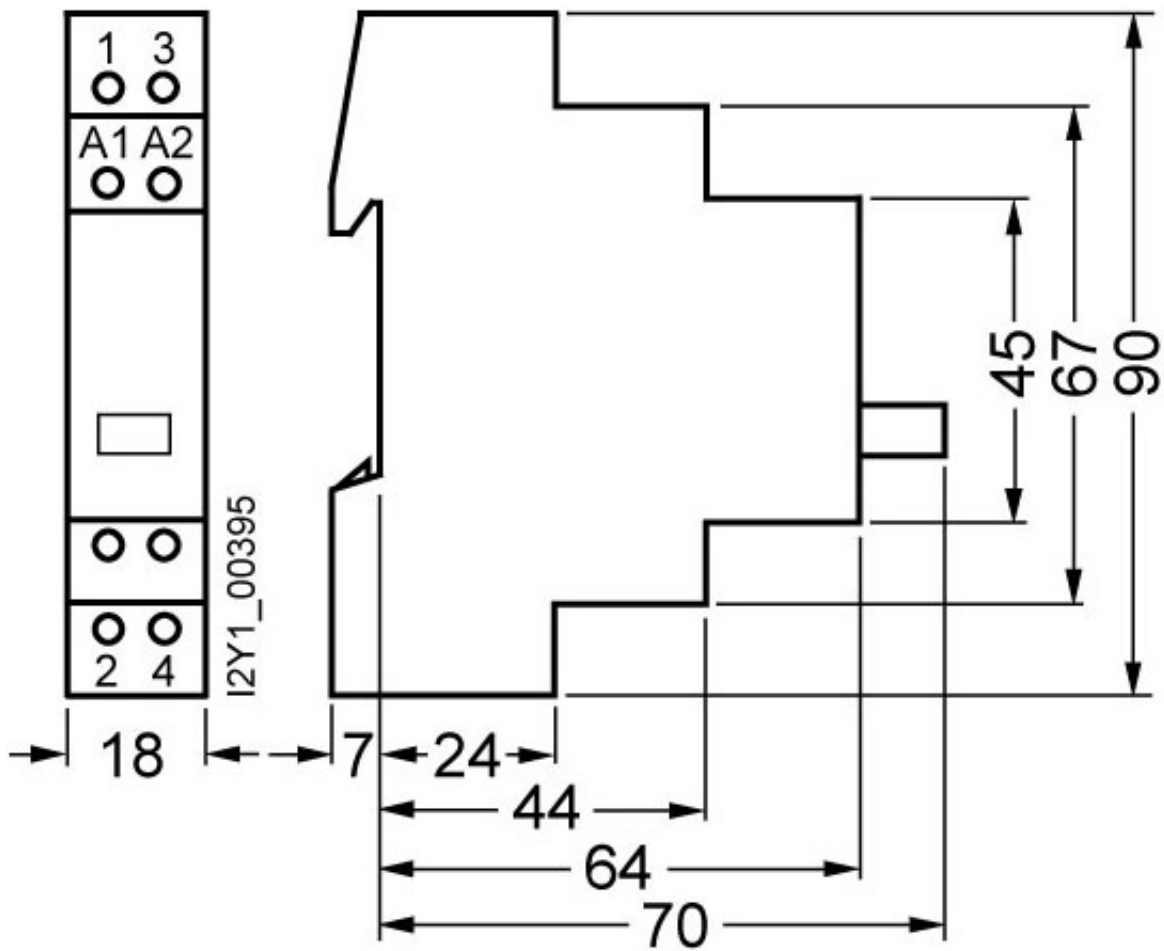
<http://support.automation.siemens.com/WW/view/en/5TT4102-0/all>

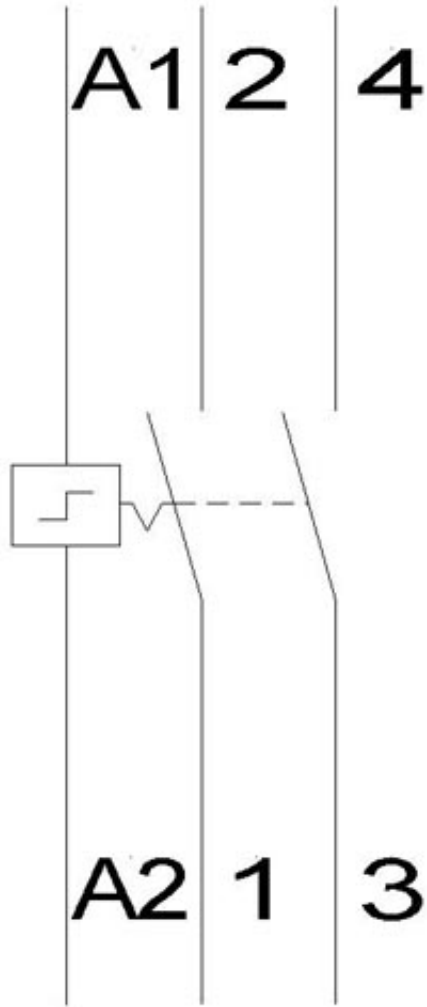
Image database (product images, 2D dimension drawings, 3D models, device circuit diagrams, ...)

http://www.automation.siemens.com/bilddb/cax_en.aspx?mlfb=5TT4102-0

Ausschreibungstexte (Leistungsverzeichnisse)

[Datanorm](#) [GAEB81](#) [GAEB83](#) [RTF](#) [TXT](#)





last change:

Dec 6, 2010