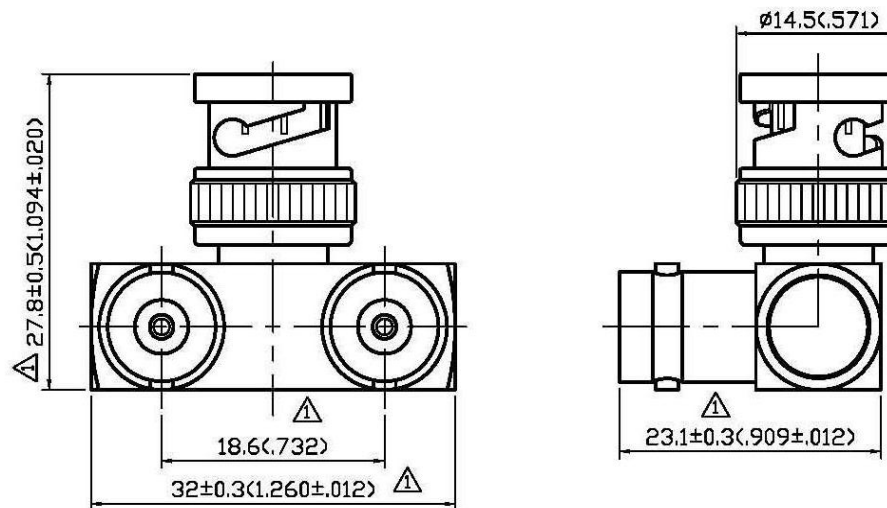


NO	DESCRIPTION	DATE
①	32.0 REF → 32±0.3 19.6 REF → 18.6 27.5 REF → 27.8±0.5 23.0 REF → 23.1±0.3	06.15.98'
②	BACKGROUND FORMAT UPDATED	03.29.04
③	BACKGROUND FORMAT UPDATED RUBBER → SILICONE	10.22.09'
④	ADD (P/N:3034977)	03.24.11'



### 1.0 ELECTRICAL

- 1.1 FREQUENCY RANGE: DC-4 GHz  
1.2 NOMINAL IMPEDANCE: 50 OHMS

### 2.0 MATERIALS

- 2.1 BODIES: BRASS PER JIS-C3604  
2.2 CENTER CONTACT: BRASS PER JIS-C3604

### 3.0 FINISHES AND OTHERS

- 3.1 SEE BELOW TABLE FOR DETAILS.

### 4.0 ENVIRONMENTAL

- 4.1 OPERATING TEMPERATURE RANGE: -40° C TO +60° C

13	CAP	BRASS	2	NICKEL
12	WASHER II	STEEL	1	NICKEL
11	WASHER I	STEEL	1	NICKEL
10	SHELL	BRASS	1	NICKEL
9	SPRING WASHER	SW	1	NONE
8	INSULATION	PP	1	NONE
7	INSULATION	PP	2	NONE
6	GASKET	SILICONE	1	RED
5	CENTER CONTACT II	BRASS	1	GOLD
4	CENTER CONTACT I	BRASS	1	GOLD
3	BODY III	BRASS	1	NICKEL
2	BODY II	BRASS	1	NICKEL
1	BODY I	BRASS	2	NICKEL
NO	DESCRIPTION	MATERIAL	Q'TY	FINISH

(P/N:3034977) ④

APPROVED

by \_\_\_\_\_ DATE: \_\_\_\_\_



DESCRIPTION		BNC RIGHT ANGLE Y ADAPTER JACK-PLUG-JACK						
製圖	DRAWN	TOLERANCE	品名	13-39-7 PP.G.N	日期	DATE	版次	REV.
	Yoko							
檢圖	CHECK	APPROVAL	單位	UNIT	DWG.NO.	SCALE	13-0317	
	Angela							
認定	Angela	ANGLE	±5°	比例	2:1			