



- Also available with low current-consumption for use as lift alarm

i TECHNICAL SPECIFICATIONS:

Dimensions (L x H x W):	70 mm x 79.5 mm x 77 mm
Housing:	ABS
Connection:	Screw terminal with wire protection, 1.0-1.5 mm ² fine strand, 1.0-2.5 mm ² single wire
Cable entry:	Cable diameter 9 mm
Fixing:	Wall mounting, sound outlet facing downwards

ORDER SPECIFICATIONS:



AC Version			
Voltage	24 V AC	42 V AC	230 V AC
Current consumption	190 mA	75 mA	15 mA
	482 052 65	482 052 66	482 052 68
DC Version			
Voltage	12 V DC	24 V DC	
Current consumption	150 mA	70 mA	
	482 052 54	482 052 55	
Lift Alarm			
Voltage	6 V DC	12 V DC	
Current consumption	80 mA	130 mA	
	482 347 13	482 347 14	

Further voltages on request.

! ADDITIONAL INFORMATION:

Please also see Horn 585 with additional advantages (see page 265)

- High protection rating IP 65
- Loud electronic horn
- High life duration up to 5,000 hrs
- Sound output 98 dB



TECHNICAL DIAGRAMS:

see page 306



See note on page 347



Lift alarm



- Suitable for indoor and outdoor applications

- Pulse tone available

i TECHNICAL SPECIFICATIONS:

Dimensions (L x H x W):	148 mm x 350 mm x 152 mm
Housing:	ABS
Connection:	Screw terminal max. 2.5 mm
Cable entry:	Rubber squeeze grommet Ø 7-10 mm
Fixing:	Wall mounting, sound outlet facing downwards

🛒 ORDER SPECIFICATIONS:



Continuous tone (AC)

Voltage	24 V AC (50 Hz)	42-48 V AC (50 Hz)	115 V AC (50/60 Hz)	230 V AC (50 Hz)
Current consumpt.	500 mA	250 mA	200 mA	70 mA
	570 052 65	570 052 66	570 052 67	570 052 68

Pulse tone (AC)

Voltage	230 V AC (50 Hz)
Current consumpt.	≤ 70 mA
	570 100 68

Continuous tone (DC)

Voltage	24 V DC	115 V DC	230 V DC
Current consumpt.	350 mA	150 mA	100 mA
	570 052 55	570 052 57	570 052 58

Further voltages on request.

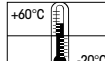
📏 TECHNICAL DIAGRAMS:

see page 306



The Horn 570 is also available in an Ex version (see page 290)

See note on page 347





- Light and sound can be triggered separately
- Integrated mounting bracket

i TECHNICAL SPECIFICATIONS:

Dimensions (L x H x W):	70 mm x 251 mm x 77 mm
Housing:	ABS
Lens:	PC, transparent
Socket:	B15d, max. 7 Watt
Connection:	Screw terminal max. 2.5 mm ²
Cable entry:	Cable diameter max. 9 mm
Duty cycle:	100 %
Bulb included in assembly. Bulb Overview see pages 184 and 185.	

ORDER SPECIFICATIONS:

Voltage	24 V DC	42 V AC	230 V AC
Current consumption	360 mA	250 mA	50 mA
red	580 152 55	580 152 66	580 152 68
yellow	580 352 55	-	580 352 68

Further colours and voltages on request.

TECHNICAL DIAGRAMS: see page 307

See note on page 347



! ADDITIONAL INFORMATION:

Please also see LED/Horn Combination 424 with add. advantages (page 196)

- High protection rating IP 65
- Horn with a life duration of up to 5,000 hrs
- LED Permanent light with a life duration of up to 50,000 hrs



- Light and sound can be triggered separately
- Integrated mounting bracket

i TECHNICAL SPECIFICATIONS:

Dimensions (L x H x W):	70 mm x 292 mm x 77 mm
Housing:	ABS
Lens:	PC, transparent
Connection:	Screw terminal max. 2.5 mm ²
Cable entry:	Cable diameter max. 9 mm
Flash frequency:	C. 1 Hz
Flash energy:	2 Ws
Life duration:	4 x 10 ⁶ flashes

ORDER SPECIFICATIONS:

Voltage	12 V DC	24 V DC	230 V AC
Current consumption	300 mA	200 mA	30 mA
red	-	581 152 55	581 152 68
yellow	581 352 54	581 352 55	581 352 68

Further colours and voltages on request.

TECHNICAL DIAGRAMS: see page 308

See note on page 347



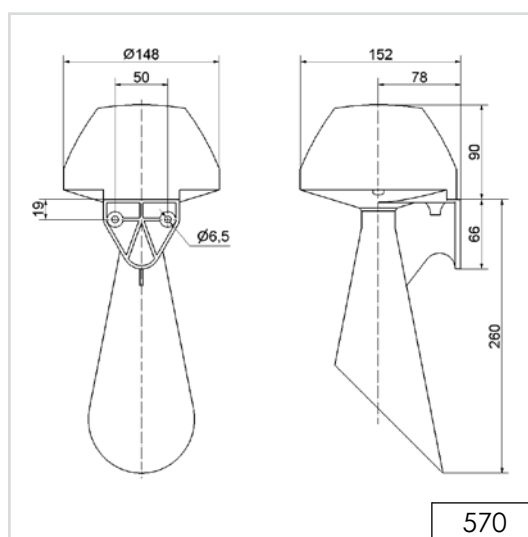
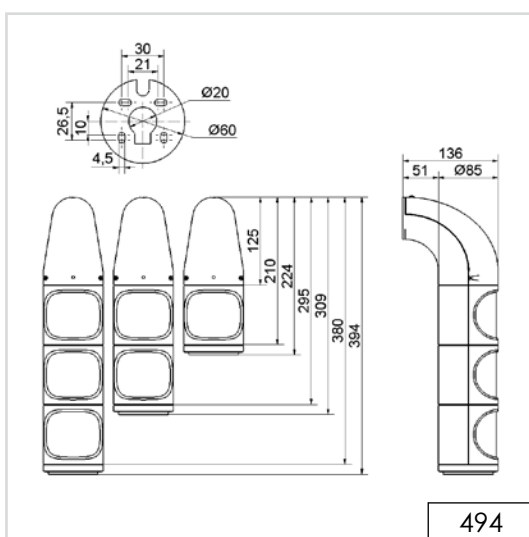
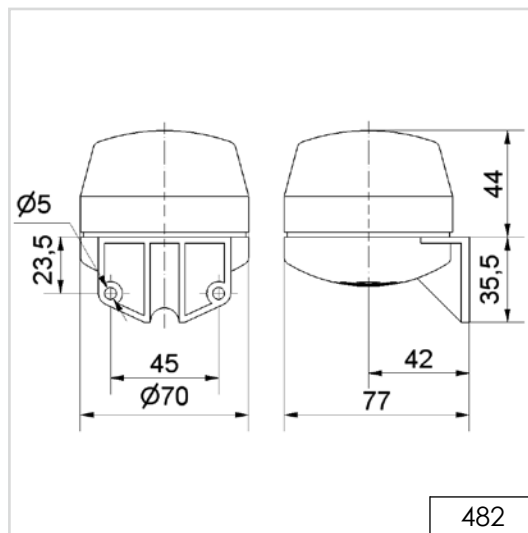
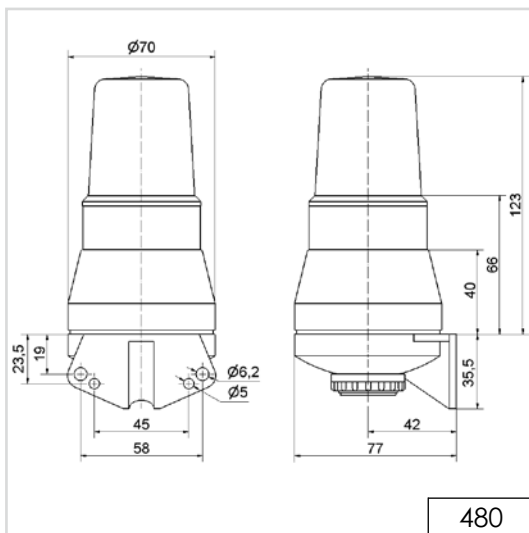
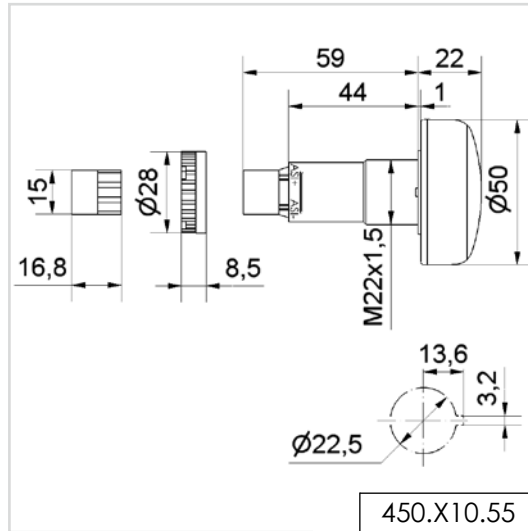
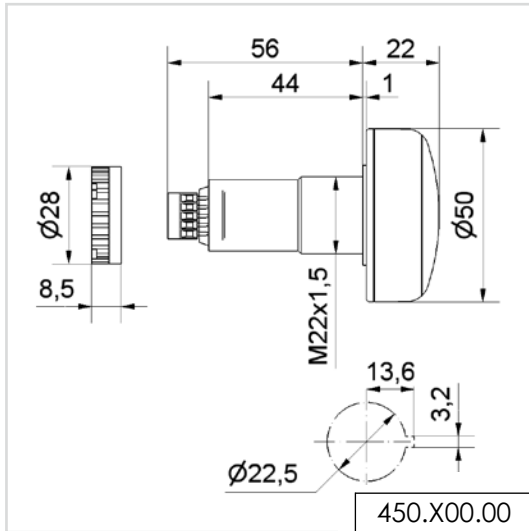
! ADDITIONAL INFORMATION:

Please also see Flash/Horn Combination 425 with add. advantages (Page 197)

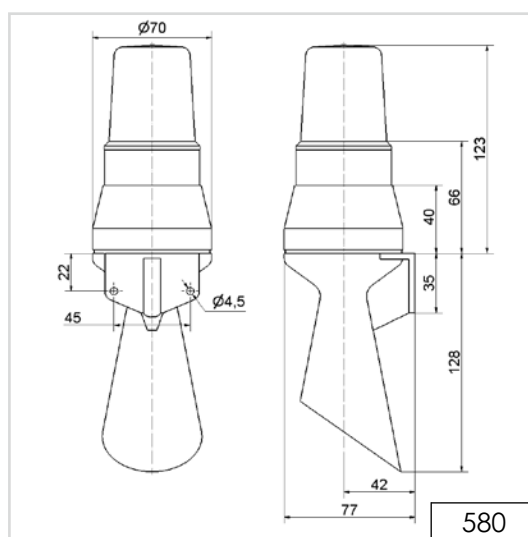
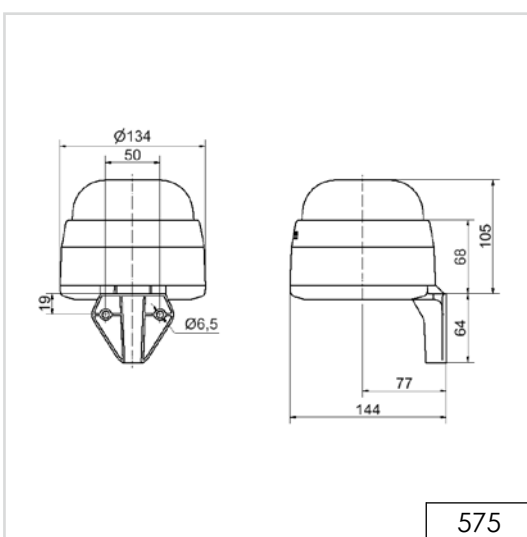
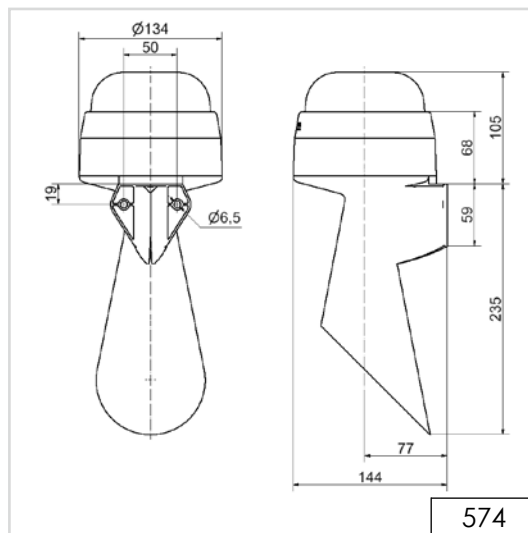
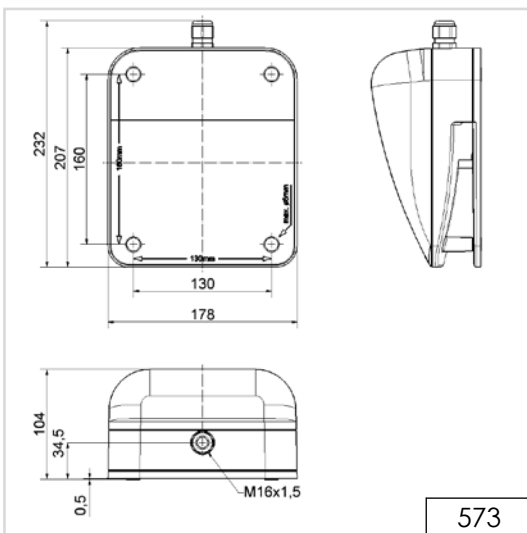
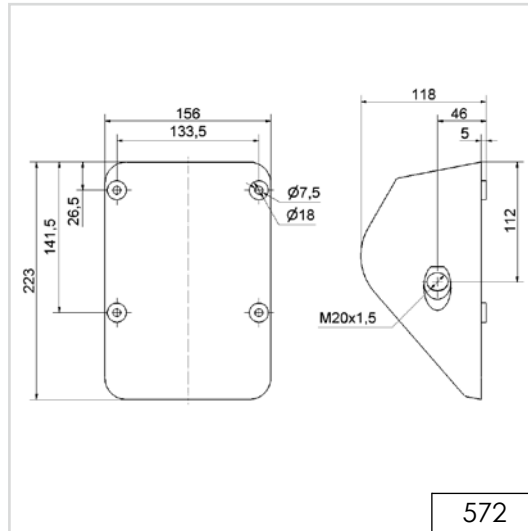
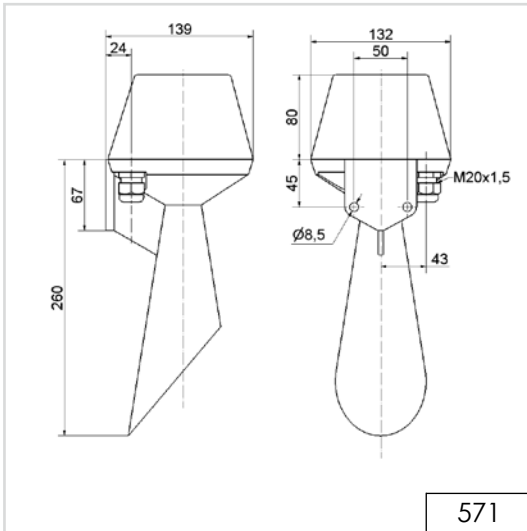
- High Protection rating IP 65
- Horn with a life duration of up to 5,000 hrs
- Adjustable sound output



Technical Diagrams



Technical Diagrams



! ADDITIONAL INFORMATION:

You are welcome to request the technical diagrams in digital form. The relevant 3D models, instruction leaflets and connection diagrams can be obtained from us or downloaded from our homepage at any time.