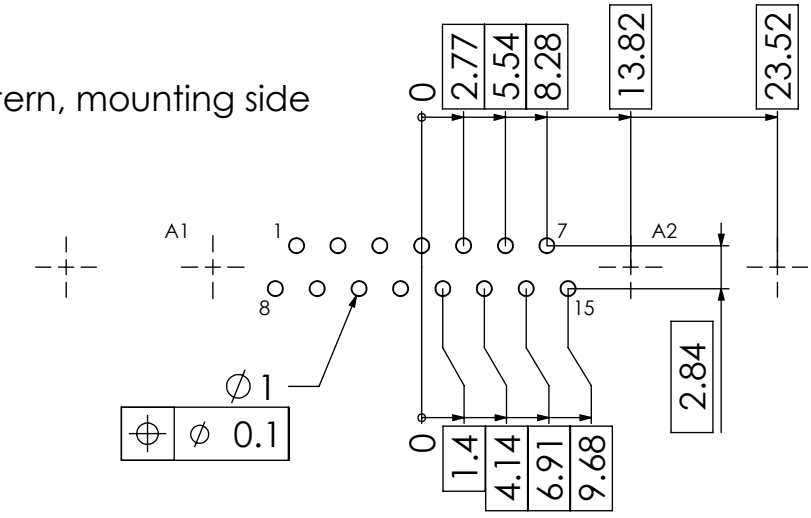


PCB hole pattern, mounting side



RoHS compliant
by exemption

No.	St.	Part	Type Description/Material	Surface plating/Colour/Class
3	15	Signal contact	P1 / Brass	0,8µm Au
2	1	Shell	Steel	tin plated
1	1	Insulator	PBT (-55°C - +130°C)	green

SYMBOLS					THIS DRAWING CONTAINS INFORMATION THAT IS PROPRIETARY TO MOLEX ELECTRONIC TECHNOLOGIES, LLC AND SHOULD NOT BE USED WITHOUT WRITTEN PERMISSION				
$\nabla = 0$	DIMENSION UNITS	SCALE	MEASUREMENTS WITHOUT TOLERANCE ACC. TO ISO 2768-m		molex				
$\nabla = 0$	mm	2:1							
$\nabla = 0$			CURRENT REVISION		FCT D-Sub Mixed-Layout Connector				
$\nabla = 0$			DRWN: DRAWN BY fvetter 29-04-2020						
$\nabla = 0$			APPR: APPR BY mteubel 12-05-2020		PRODUCT CUSTOMER DRAWING				
$\nabla = 0$			INITIAL REVISION						
$\nabla = 0$	2	24130	DRWN: DRAWN BY ADenzinger 08-11-2005		MATERIAL NUMBER 1731070077				
$\nabla = 0$	1		APPR: APPR BY sschref 09-11-2005						
$\nabla = 0$	REV.	CH.-NO.	REPLACEMENT FOR:		DOCUMENT NUMBER FM17W2P1-K120				
$\nabla = 0$			THIRD ANGLE PROJECTION						
$\nabla = 0$			DRAWING A3-SIZE		CUSTOMER GENERAL MARKET SHEET NUMBER 1 OF 1				
$\nabla = 0$									

COMMENT: ALL RIGHTS ARE RESERVED BY US FOR THIS DRAWING. WITHOUT OUR PRIOR CONSENT, IT MAY NEITHER BE DUPLICATED NOR MADE AVAILABLE TO A THIRD PARTY. AND IT ALSO MAY NOT BE IMPROPERLY USED BY THE RECEIVER, OR A THIRD PARTY.