

DETAILS

Product Number	C12958_LENINA-XW
Family	Lenina
Type	Reflector
Color	white
Diameter	74 mm
Height	40 mm
Style	round
Optic Material	HRPC
Holder Material	
Fastening	
Status	ready
ROHS Compliant	Yes
Date Updated	10/03/2015

OPTICAL PROPERTIES

LED	Viewing Angle	Light Beam	Efficiency	cd/lm	Connector
CXA/B 30xx	72 deg	WWW-class	91 %	0.600	IDEAL: 50-2234C + Lena(50-2100LN)
CLL04x/CLU044	72 deg	WWW-class	91 %	0.600	IDEAL: 50-2204-CT + Lena(50-2100LN)
Soleriq P13	73 deg	WWW-class	91 %	0.620	IDEAL: 50-2101CR + Lena(50-2100LN)
Unknown	73 deg	WWW-class	91 %	0.620	IDEAL: 50-2101CR + Lena(50-2100LN)
CLL04x/CLU044	74 deg	WWW-class	84 %	0.500	A.A.G. STUCCHI: 8102/G2 + S-8000/12



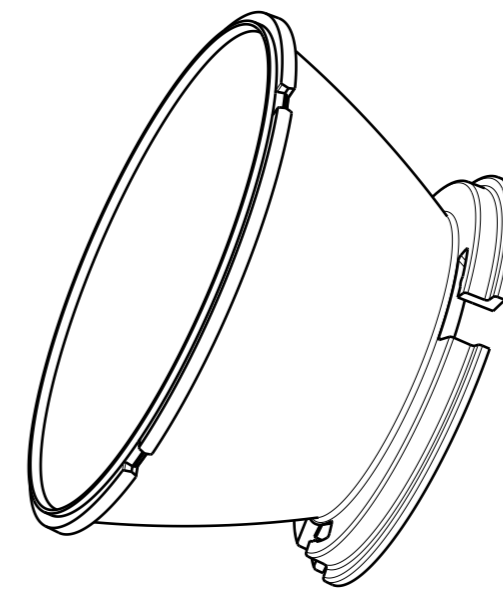
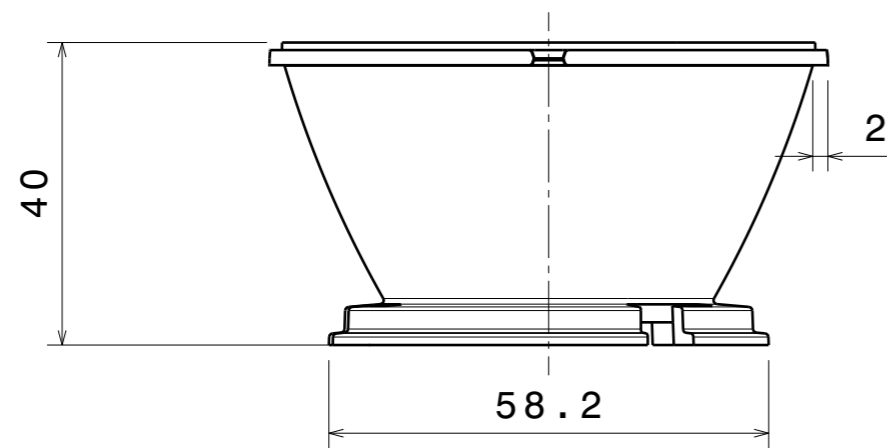
This drawing applies to:

C12597_LENINA-S

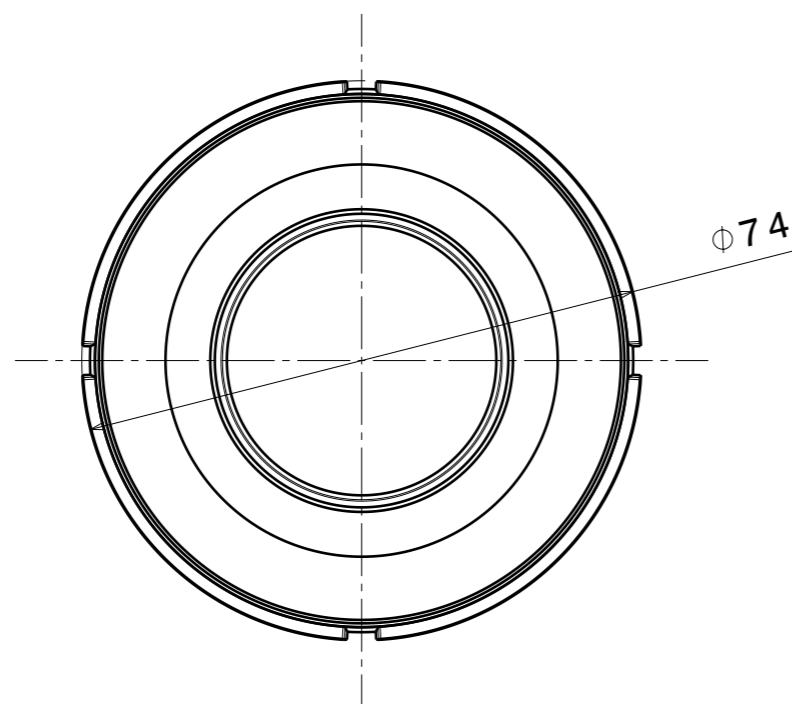
C12598_LENINA-M

C12599_LENINA-W

C12958_LENINA-XW



Isometric view



INDEX	DESCRIPTION	MATERIAL
1	Lenina-reflector	PC

Tolerances if not otherwise shown
 According to DIN ISO 2768-1
 Linear measures:
 Up to 30mm class M, otherwise class C.
 According to DIN ISO 2768-2
 Form and position: class L

LEDiL LediL Oy
 Salorankatu 10
 FIN 24240 SALO
 Finland

THIRD ANGLE PROJECTION:

DRAWING TITLE
Datasheet_Lenina-reflector

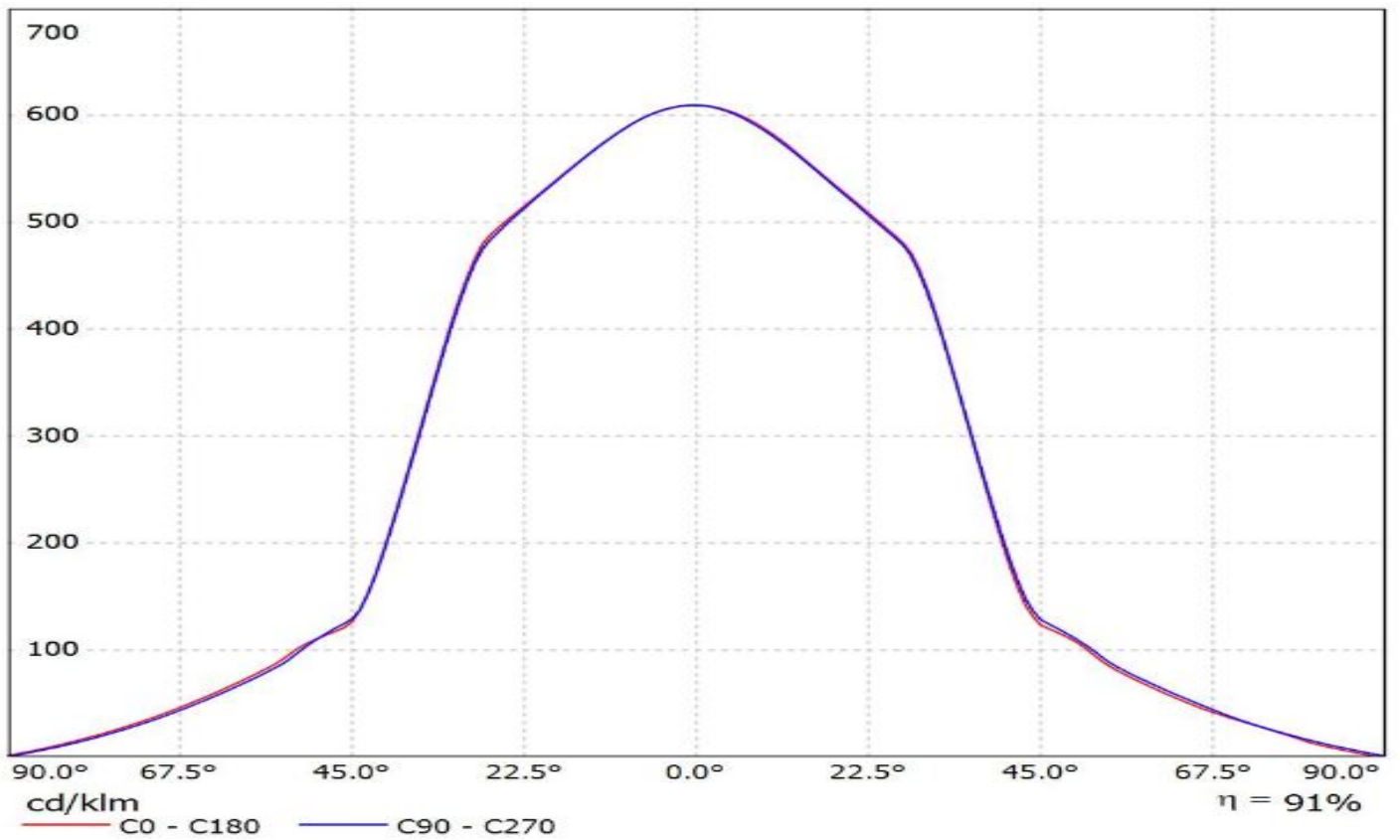
This drawing is the property
 of LEDiL Oy. It may not be
 reproduced, copied or
 communicated without a written
 agreement with LEDiL Oy."

SIZE	PART NUMBER		
A3	-		
SCALE	1:1	WEIGHT	(g)
		SHEET	1/1

Ledil C12958_LENINA-XW_(CXA3050) / LDC (Linear)

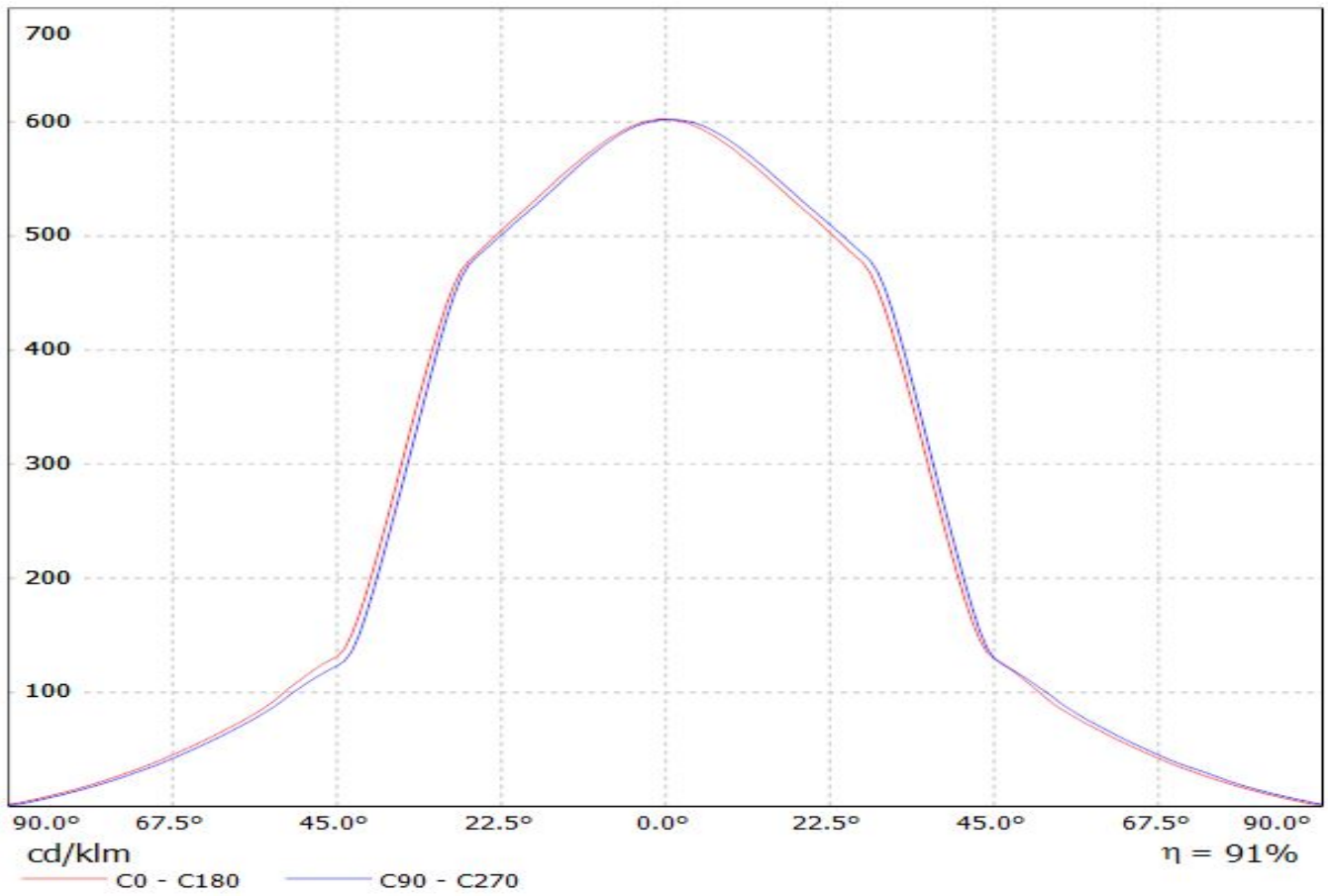
Luminaire: Ledil C12958_LENINA-XW_(CXA3050)

Lamps: 1 x CREE_CXA3050_(CXA3050-30H-X2-N0H-0000)_1193.5lm@250mA_P=8W_I=0.25A



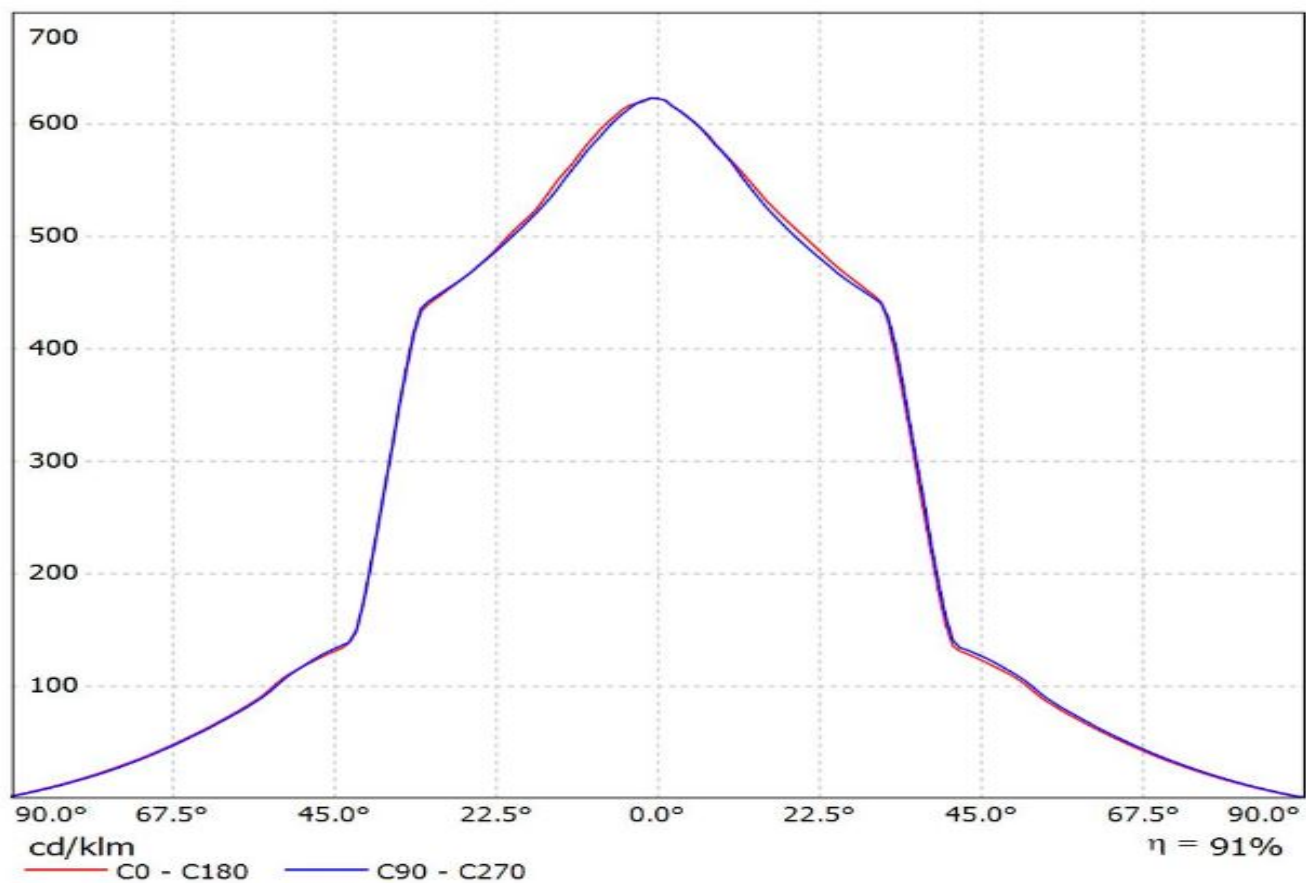
Luminaire: LEDiL Oy C12958_LENINA-XW_(CLL040)

Lamps: 1 x Citizen_CLL040_(CLL040-1218A-50KL1A1)_1158.48lm@250mA_P=8.26844W_I=249.9mA

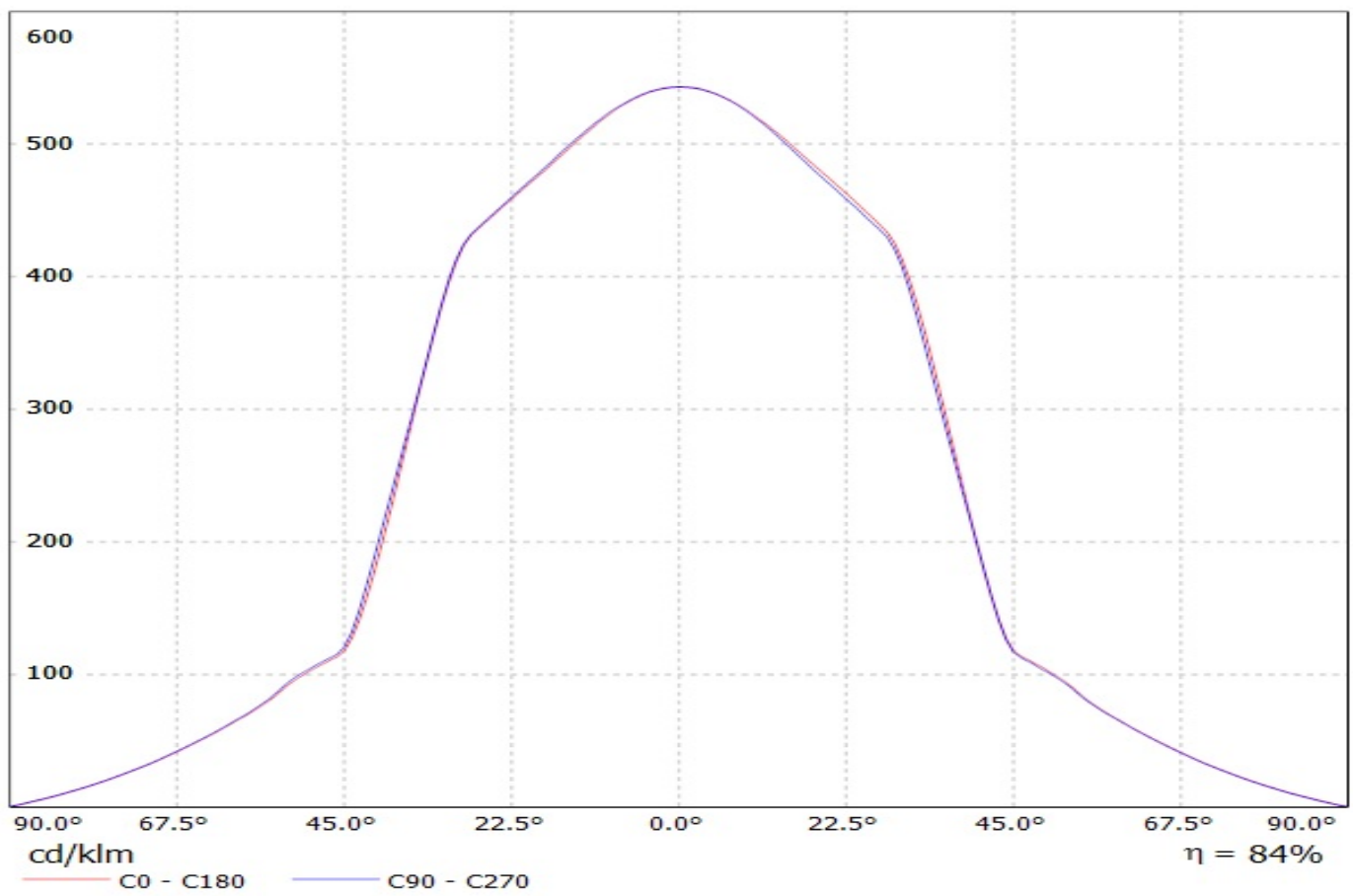


Luminaire: LEDiL Oy C12958_LENINA-XW_(SOLERIQ_P13)

Lamps: 1 x SOLERIQ_P13_(GW_MAGMB1.EM)_1018.49lm@250mA_CCT=3000K_P=8.79046W_I=249.8mA



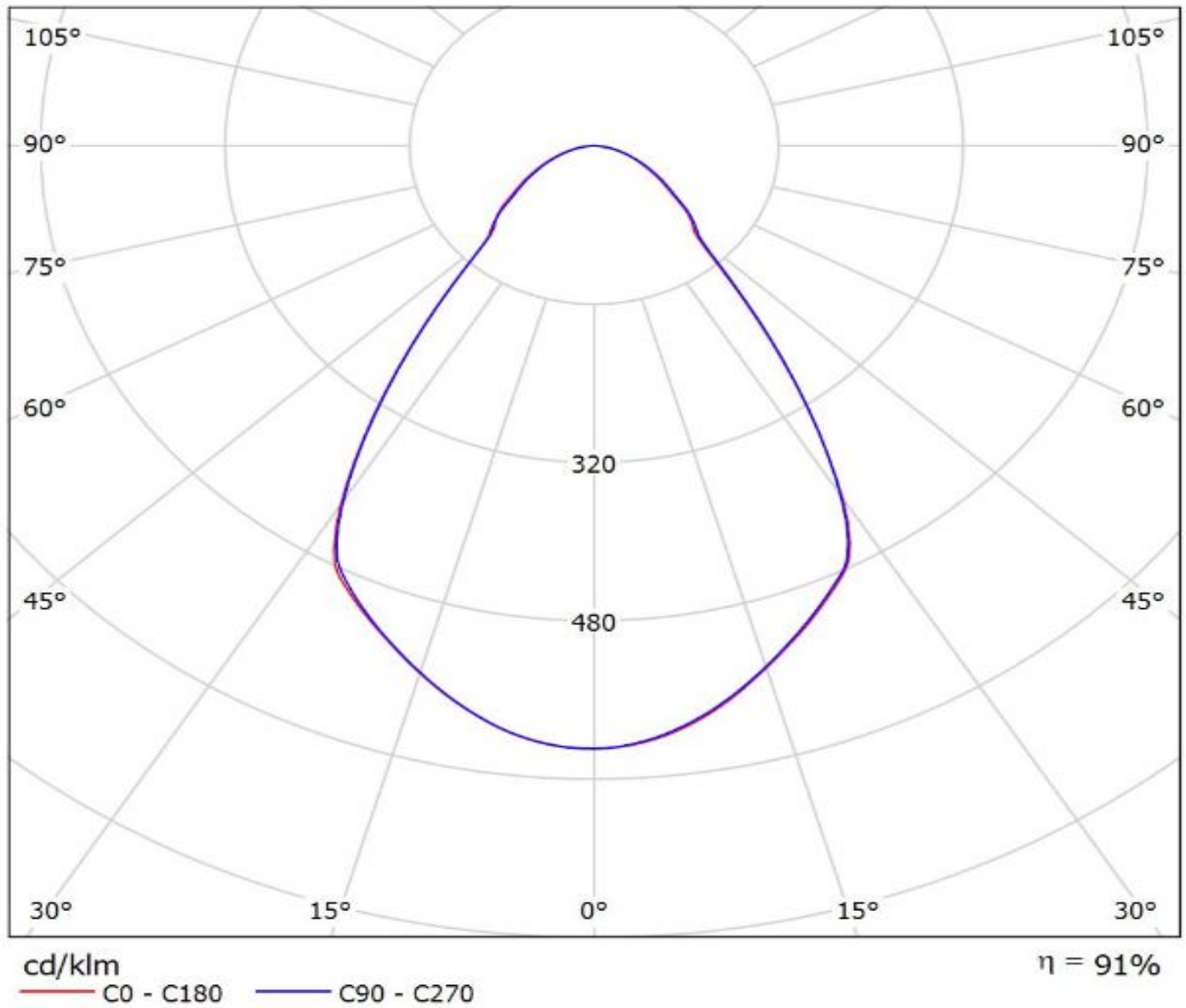
Luminaire: LEDiL Oy C12958_LENINA-XW_(CLU044_+_8102-G2_+_S-8000-12)
Lamps: 1 x Citizen_CLU044_(1212B8-303M1A2)_546.982lm@100mA_P=3.2W_I=0.1A



Ledil C12958_LENINA-XW_(CXA3050) / LDC (Polar)

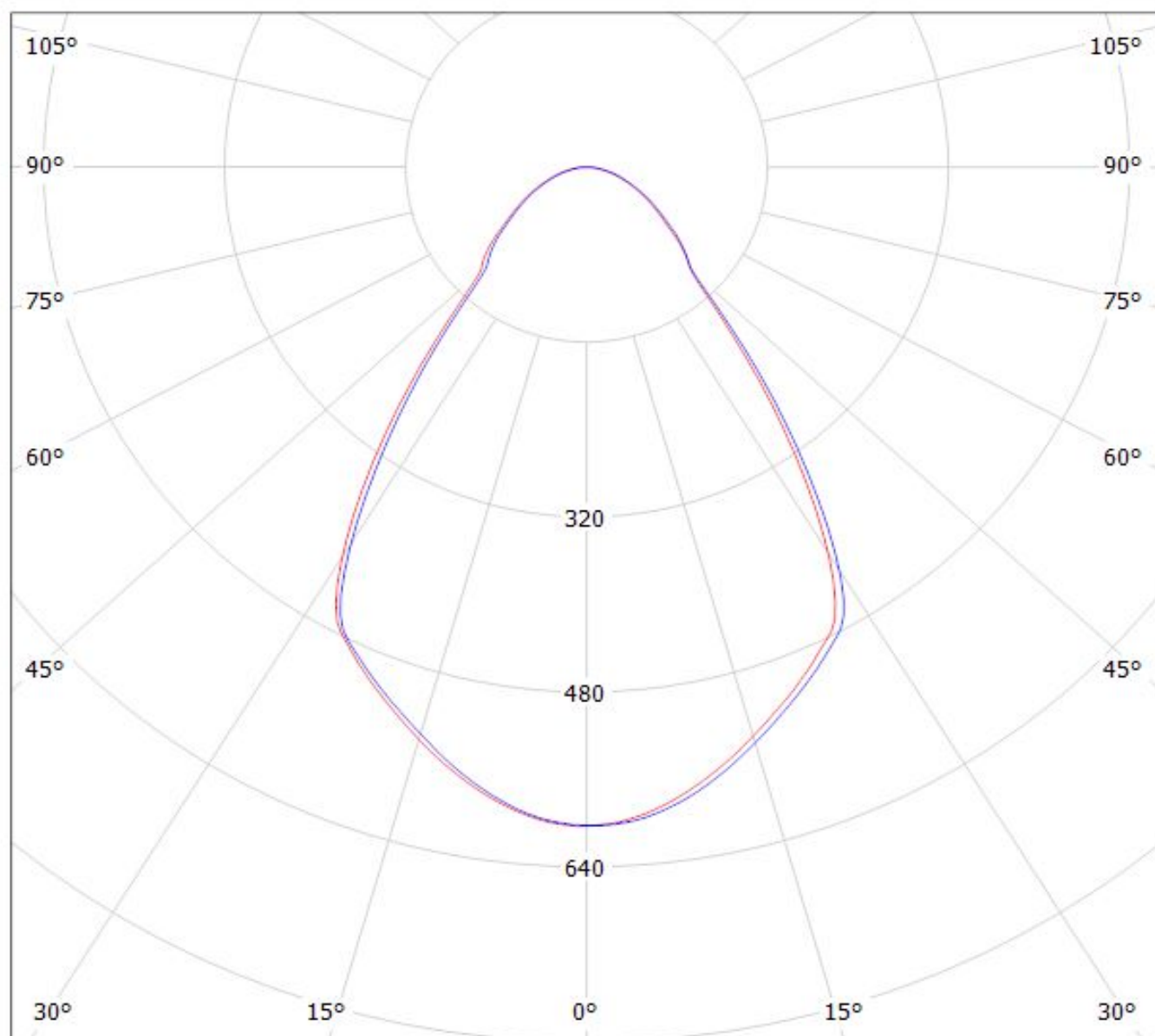
Luminaire: Ledil C12958_LENINA-XW_(CXA3050)

Lamps: 1 x CREE_CXA3050_(CXA3050-30H-X2-N0H-0000)_1193.5lm@250mA_P=8W_I=0.25A



Luminaire: LEDiL Oy C12958_LENINA-XW_(CLL040)

Lamps: 1 x Citizen_CLL040_(CLL040-1218A-50KL1A1)_1158.48lm@250mA_P=8.26844W_I=249.9mA



cd/klm

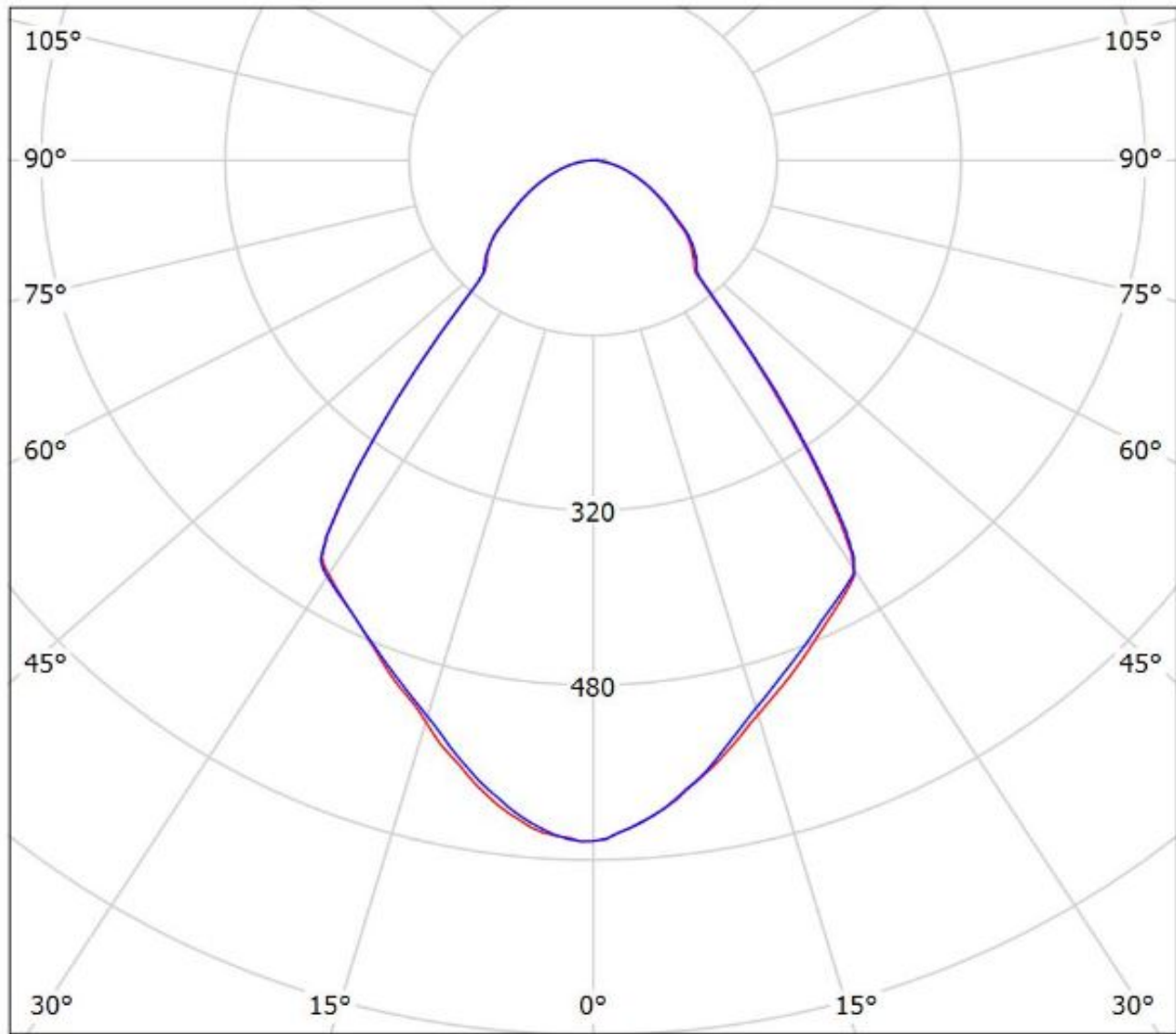
$\eta = 91\%$

— C0 - C180

— C90 - C270

Luminaire: LEDiL Oy C12958_LENINA-XW_(SOLERIQ_P13)

Lamps: 1 x SOLERIQ_P13_(GW_MAGMB1.EM)_1018.49lm@250mA_CCT=3000K_P=8.79046W_I=249.8mA

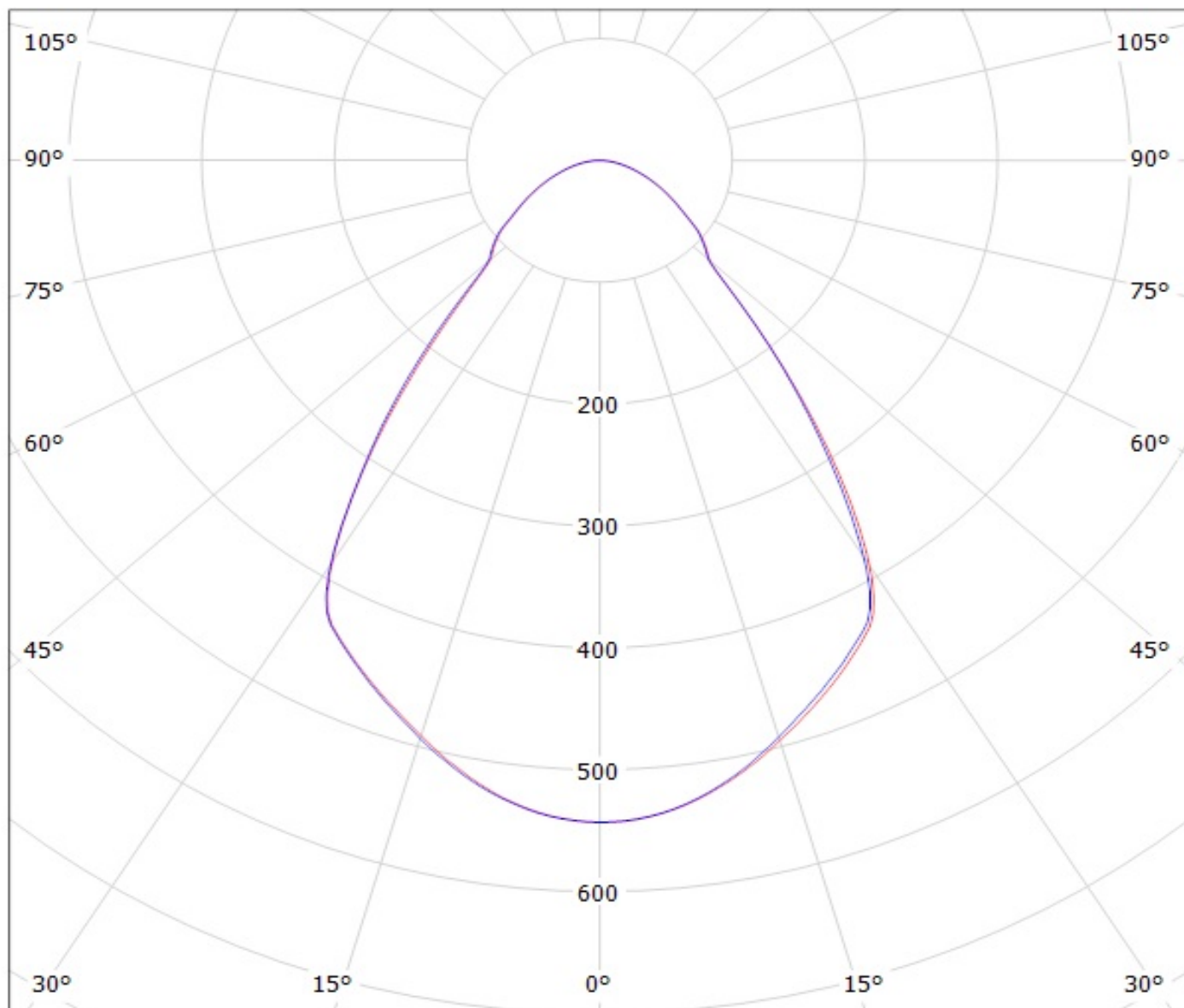


cd/klm

— C0 - C180 — C90 - C270

$\eta = 91\%$

Luminaire: LEDiL Oy C12958_LENINA-XW_(CLU044+_8102-G2+_S-8000-12)
Lamps: 1 x Citizen_CLU044_(1212B8-303M1A2)_546.982lm@100mA_P=3.2W_I=0.1A



cd/klm

— C0 - C180 — C90 - C270

$\eta = 84\%$

NOTE: The typical divergence will be changed by different color, chip size and chip position tolerance. The typical total divergence is the full angle measured where the luminous intensity is half of the peak value.

GENERAL INFORMATION

- Product series especially designed & optimized for series of LEDs.
- Special care taken to make light distribution as uniform as possible.
- Reflector is made of aluminium coated PC (120 degrees of Celcius / 248 degrees of Fahrenheit) with protective lacquer (short term 100 degrees of Celcius / 212 degrees of Fahrenheit).

Note! Due to use of high power COB's with this product, special attention to proper thermal design is highly recommended. LEDiL has no liability for direct, indirect or consecutive damages arising from the LEDiL products being used outside of the recommended temperature range.