



Clifford & Snell[®]

Yodalight[®]

YL50 Hi-Vis-MSA (8)

A Multi Stage Audible & Visual Signalling device, with up to 8 selectable alarm stages, designed for use in Fire, Commercial, Industrial & Marine applications

PRODUCT FEATURES

- Max sound output 112 dB(A) @ 1m
- IP66 rated as standard
- High Brightness LED Beacon
- 32 selectable tones meeting international regulations
- Flame retardant ABS enclosure
- Stainless steel fixings
- 8 stage alarm
- Each stage is independently selectable
- Lens available in eight colours
- Low current consumption



Product Approvals



Compliant

☎ UK +44 (0) 121 446 5322 FR +33 (0)1 70 72 12 71

✉ uksales@moflash.co.uk

exportsales@moflash.co.uk

moflashkm@moflash.com

🌐 www.moflash.com

Issue 1

TECHNICAL DATA

Electrical Data	
Operating Voltage	Current Draw
24vDC --- (12 LED)	75mA at Tone 1
24vDC --- (25 LED)	105mA at Tone 1
85-280vAC/DC ~	55 mA

Mechanical Data	
Enclosure Material	ABS FR UL94 5VB
Lens Material	PC FR UV Stable UL94 HB
External Fixings	Stainless Steel
Degree of Protection	IP66 (IEC60529)

Ambient Conditions	
Operating Temperatures	
Standard General	-35 °C to +66 °C
Storage Temperature	-40 °C to +70 °C
Max. Relative Humidity	93% ± 3 at 40 °C

Acoustic Data	
Maximum Volume Output	112dB (A)
Volume Control Adjustment	-18 dB (A)

Mounting / Installation

Devices should be mounted to a suitable flat wall or bulkhead avoiding any undue vibration and using the two lugs projecting from the case. The lugs are bored 8mm on 153mm centres. The minimum length of fixing screw required is 25mm. To maintain the IP rating of the enclosure, the cable entries must be fitted with a suitably rated cable gland (included). Max cable termination 2.5mm².

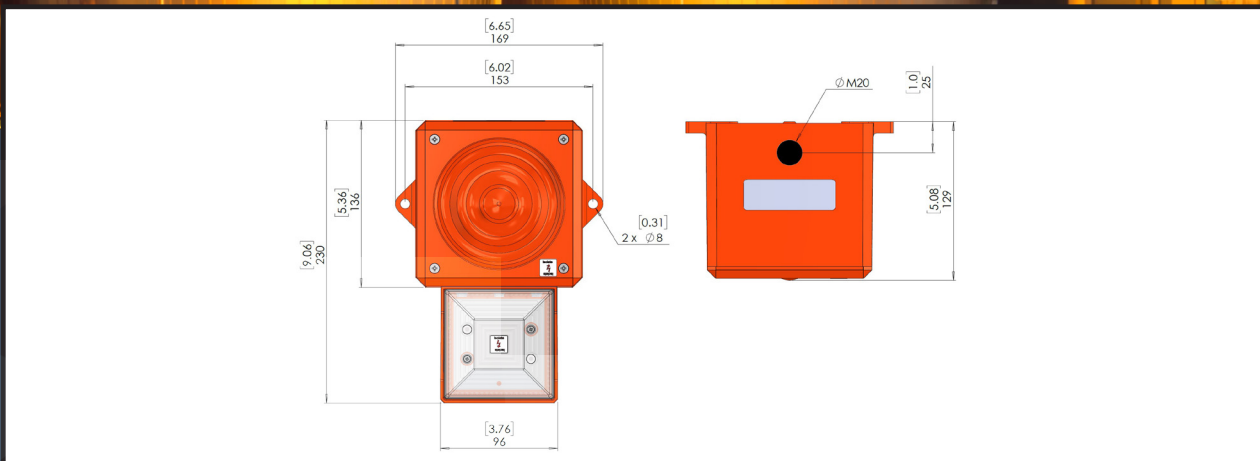
Luminous Characteristics		
Array Type	24vDC --- (*)	12 High Brightness LEDs
	24vDC --- (**)	25 High Brightness LEDs
	85-280vAC/DC ~ (**)	25 High Brightness LEDs
Flash Rate	(*) 60 FPM, (**) 60/120 FPM User selectable	

Standard Alarm Stage Options

This unit offers up to 8 independently selectable alarm stages that the user can pre-set

Dimensional Drawing

We reserve the right to make alterations to the technical data, dimensions, weights, designs and products available without notice. The illustrations cannot be considered binding. All Dimensions in mm [inches] - Subject to alterations



Version	Enclosure Colour	Rated Operational Voltage	Lens Colour	Effective Candela (cd)	Order Number	Art. No.	Weight (kg)
YL50 Hi-Vis-MSA (8) Sounder/LED combination UKCA & CE	Red Flame (RF) RAL 2002	24vDC --- (12 LED)	Amber	9.22	YL50/DL/A/RF/HV/WR(8)	245835	1.2
			Red	8.93	YL50/DL/R/RF/HV/WR(8)	245836	1.2
			Green	27.52	YL50/DL/G/RF/HV/WR(8)	245837	1.2
			Opal	10.87	YL50/DL/O/RF/HV/WR(8)	245838	1.2
			Blue	8.18	YL50/DL/B/RF/HV/WR(8)	245839	1.2
			Clear	29.21	YL50/DL/C/RF/HV/WR(8)	245840	1.2
			Yellow	26.79	YL50/DL/Y/RF/HV/WR(8)	245841	1.2
			Magenta	6.6	YL50/DL/M/RF/HV/WR(8)	245842	1.2
		24vDC --- (25 LED)	Amber	62.31	YL50/DL/A/25/RF/HV/WR(8)	245843	1.2
			Red	55.12	YL50/DL/R/25/RF/HV/WR(8)	245844	1.2
			Green	69.23	YL50/DL/G/25/RF/HV/WR(8)	245845	1.2
			Opal	33	YL50/DL/O/25/RF/HV/WR(8)	245846	1.2
			Blue	10.27	YL50/DL/B/25/RF/HV/WR(8)	245847	1.2
			Clear	78.97	YL50/DL/C/25/RF/HV/WR(8)	245848	1.2
			Yellow	66.83	YL50/DL/Y/25/RF/HV/WR(8)	245849	1.2
			Magenta	19.12	YL50/DL/M/25/RF/HV/WR(8)	245850	1.2
		85-280vAC/DC (25 LED)	Amber	62.31	YL50/ML/A/RF/HV/WR(8)	245851	1.2
			Red	55.12	YL50/ML/R/RF/HV/WR(8)	245852	1.2
			Green	69.23	YL50/ML/G/RF/HV/WR(8)	245853	1.2
			Opal	33	YL50/ML/O/RF/HV/WR(8)	245854	1.2
			Blue	10.27	YL50/ML/B/RF/HV/WR(8)	245855	1.2
			Clear	78.97	YL50/ML/C/RF/HV/WR(8)	245856	1.2
			Yellow	66.83	YL50/ML/Y/RF/HV/WR(8)	245857	1.2
			Magenta	19.12	YL50/ML/M/RF/HV/WR(8)	245858	1.2